

# PRODUCT INFORMATION PACKET

Model No: 286TTFCD6026

Catalog No: GT1031A

General Purpose Motor, 30 HP, 3 Ph, 60 Hz, 208-230/460 V, 1800 RPM, 286T Frame, TEFC



Regal and are trademarks of Regal Rexnord Corporation or one of its affiliated companies.  
©2022 Regal Rexnord Corporation, All Rights Reserved. MC017097E

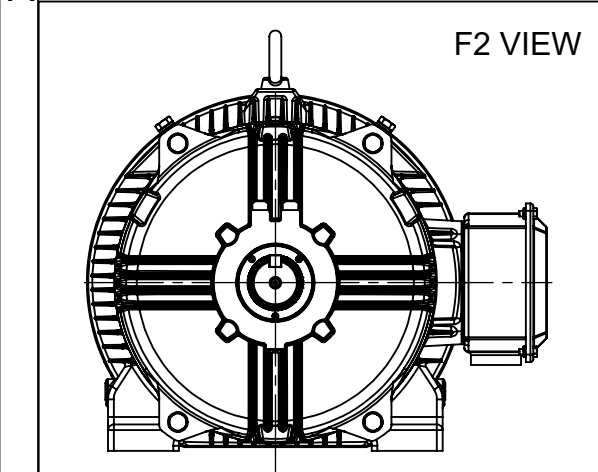
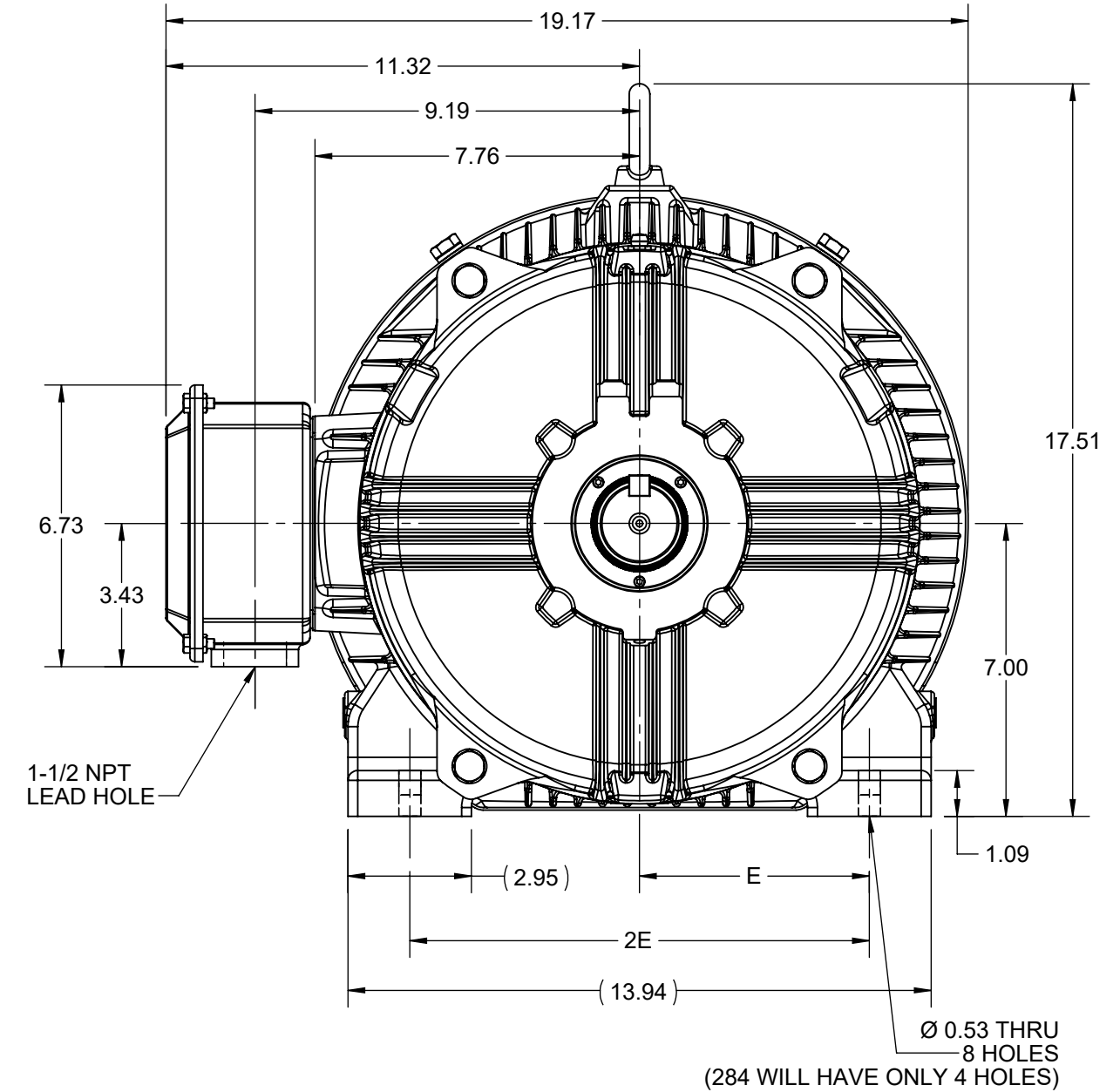
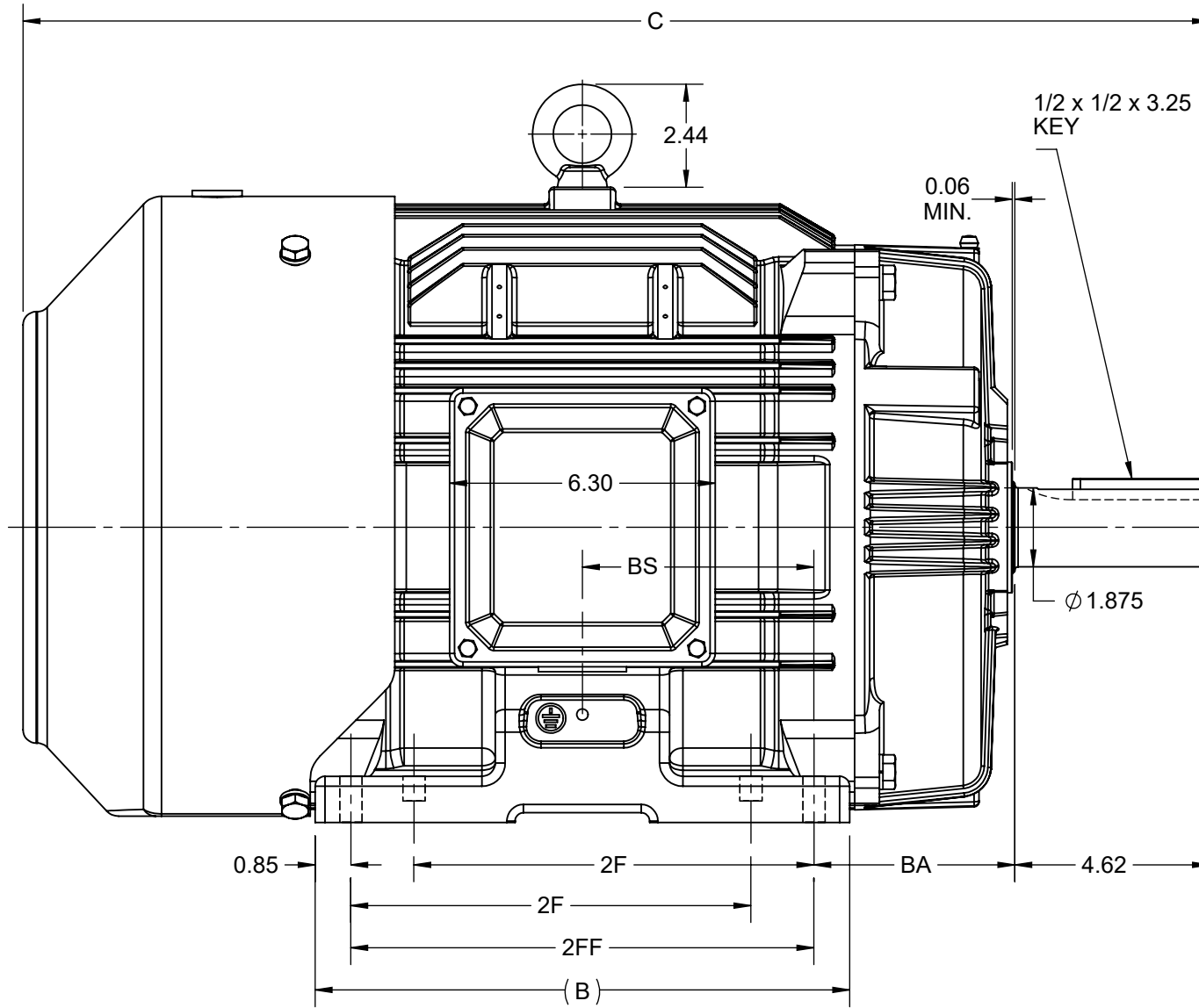
**Nameplate Specifications**

Output HP	<b>30 Hp</b>	Output KW	<b>22.4 kW</b>
Frequency	<b>60 Hz</b>	Voltage	<b>208-230/460 V</b>
Current	<b>78.0-71.0/35.5 A</b>	Speed	<b>1770 rpm</b>
Service Factor	<b>1.15</b>	Phase	<b>3</b>
Efficiency	<b>93.6 %</b>	Power Factor	<b>84</b>
Duty	<b>Continuous</b>	Insulation Class	<b>F</b>
Design Code	<b>B</b>	KVA Code	<b>G</b>
Frame	<b>286T</b>	Enclosure	<b>Totally Enclosed Fan Cooled</b>
Thermal Protection	<b>No Protection</b>	Ambient Temperature	<b>40 °C</b>
Drive End Bearing Size	<b>6311</b>	Opp Drive End Bearing Size	<b>6211</b>
UL	<b>Listed</b>	CSA	<b>Y</b>
CE	<b>Y</b>	IP Code	<b>55</b>
Hazardous Location	<b>DIVISION 2 T2B</b>	Number of Speeds	<b>1</b>

**Technical Specifications**

Electrical Type	<b>Squirrel Cage Inverter Rated</b>	Starting Method	<b>Part Wdg Start Low Volt Only &amp; Wye Start Delta Run Or Inverter</b>
Poles	<b>4</b>	Rotation	<b>Reversible</b>
Resistance Main	<b>.27 Ohms</b>	Mounting	<b>Rigid Base</b>
Motor Orientation	<b>Horizontal</b>	Drive End Bearing	<b>Ball</b>
Opp Drive End Bearing	<b>Ball</b>	Frame Material	<b>Cast Iron</b>
Shaft Type	<b>T</b>	Overall Length	<b>28.14 in</b>
Shaft Diameter	<b>1.875 in</b>	Shaft Extension	<b>4.62 in</b>
Assembly/Box Mounting	<b>F1/F2 CAPABLE</b>	Inverter Load	<b>CONSTANT 10:1/VARIABLE 10:1</b>
Outline Drawing	<b>SS620704-200</b>	Connection Drawing	<b>EE7308AA</b>

DASH NO.	4				3				MOUNTING	FRAME
	B	C	E	2E	2F	2FF	BA	BS		
100	10.83	26.64	5.50	11.00	---	9.50	4.75	4.75	F1 OR F2	284T
200	12.68	28.14			9.50	11.00		5.50		284/286T



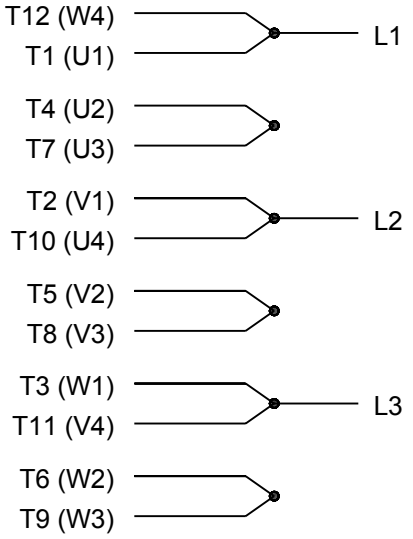
DRAWING REVISION C	REVISION BY VS	REV DATE/© DATE 27-10-2020
ECO CR-0000305	APPROVED BY GNK	DATE 27-10-2020
ECO DESCRIPTION <b>DRAWING UPDATED</b>		
<small>COPYRIGHT (PER REVISION DATE) REGAL BELOIT AMERICA, INC. ALL RIGHTS RESERVED. PROPRIETARY AND CONFIDENTIAL INFORMATION - THIS DOCUMENT IS THE PROPERTY OF REGAL BELOIT AMERICA, INC. ("OWNER") AND CONTAINS OWNER'S PROPRIETARY INFORMATION. ANY PERSON, CORPORATION OR OTHER FIRM RECEIVING IT IS DEEMED, BY RECEIVING IT, TO AGREE THAT IT, AND/OR ANY PART OF IT, SHALL NOT BE DISCLOSED TO ANY PERSON, CORPORATION OR OTHER ENTITY, DUPLICATED, AND/OR USED, EXCEPT AS EXPRESSLY APPROVED IN WRITING IN ADVANCE BY OWNER. THIS DOCUMENT SHALL BE RETURNED TO OWNER UPON REQUEST. IT MAY BE SUBJECT TO CERTAIN RESTRICTIONS UNDER APPLICABLE EXPORT CONTROL LAWS AND REGULATIONS.</small>		

PRIMARY DIMENSIONS ARE INCH  
mm DIMENSIONS IN [BRACKETS]  
ARE FOR REFERENCE ONLY

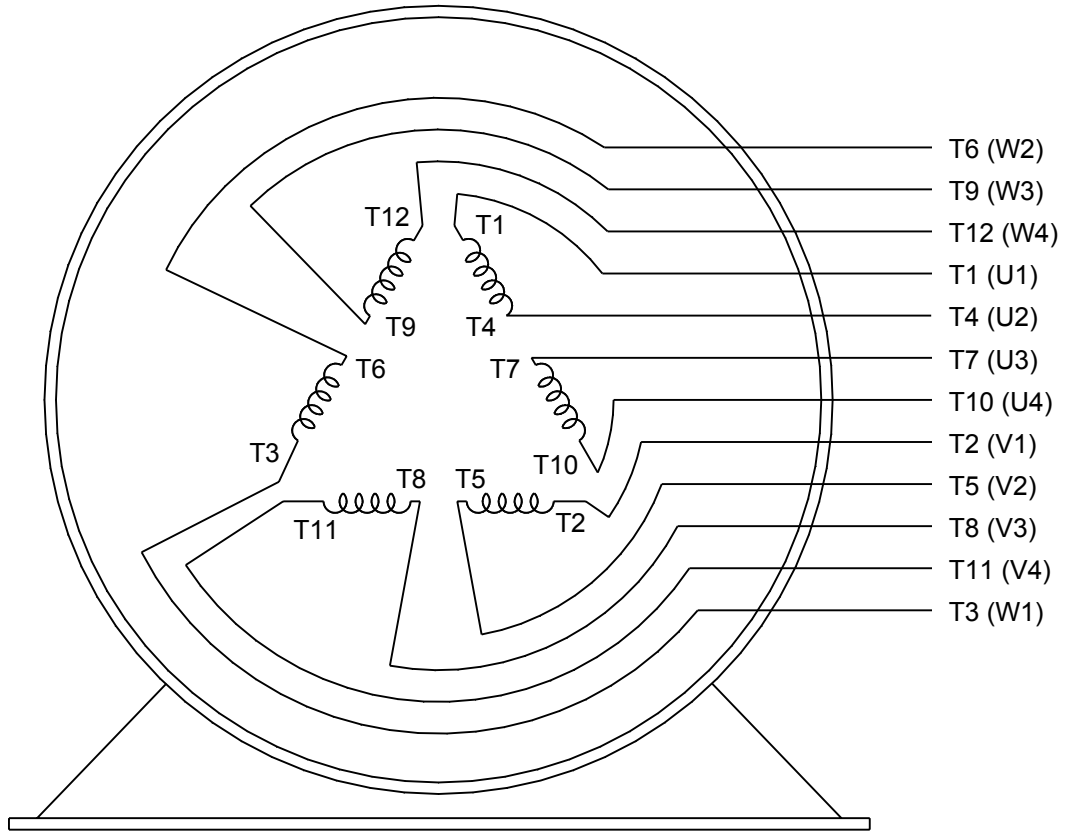
DRAWN BY MR	<b>REGAL</b> ® Regal Beloit America, Inc.
DATE 4/5/2015	
APPROVED BY KRK	DESCRIPTION
DATE 4/5/2015	<b>OUTLINE</b> 284/286T FR-TEFC-CAST IRON
REFERENCE	MATERIAL PROCESS/FINISH
THIRD ANGLE PROJECTION	SIZE B
	DRAWING NUMBER <b>SS620704</b>
	SHEET 1 OF 1



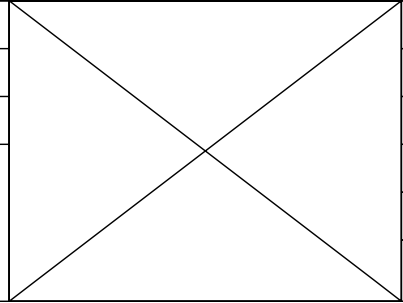
### LOW VOLTAGE



### HIGH VOLTAGE



DRAWING REVISION <b>K</b>	REVISION BY <b>AJW</b>	DATE <b>07-17-2015</b>
ECO <b>ECO-0081632</b>	APPROVED BY <b>T. VUE</b>	DATE <b>07-17-2015</b>
ECO DESCRIPTION <b>REV'D IEC MARKINGS PER IEC 60034-8</b>		
<small>COPYRIGHT REGAL BELOIT AMERICA, INC. ALL RIGHTS RESERVED.                  PROPRIETARY AND CONFIDENTIAL INFORMATION - THIS DOCUMENT IS THE PROPERTY OF                  REGAL BELOIT AMERICA, INC. ("OWNER") AND CONTAINS OWNER'S PROPRIETARY                  INFORMATION. ANY PERSON, CORPORATION OR OTHER FIRM RECEIVING IT IS DEEMED,                  BY RECEIVING IT, TO AGREE THAT IT, AND/OR ANY PART OF IT, SHALL NOT BE DISCLOSED                  TO ANY PERSON, CORPORATION OR OTHER ENTITY, DUPLICATED, AND/OR USED, EXCEPT                  AS EXPRESSLY APPROVED IN WRITING IN ADVANCE BY OWNER. THIS DOCUMENT SHALL                  BE RETURNED TO OWNER UPON REQUEST. IT MAY BE SUBJECT TO CERTAIN                  RESTRICTIONS UNDER APPLICABLE EXPORT CONTROL LAWS AND REGULATIONS.</small>		



DRAWN BY <b>LZ</b>
DATE <b>01-12-1994</b>
APPROVED BY <b>GK</b>
DATE <b>01-14-1994</b>
REFERENCE
THIRD ANGLE PROJECTION

<b>Regal Beloit America, Inc.</b>	
<b>DESCRIPTION</b> <b>CONN DIAGRAM-EXTERNAL</b> <b>3Ø-2/1 DELTA-12 LEADS</b>	
MATERIAL	PROCESS/FINISH
SIZE <b>A</b>	DRAWING NUMBER <b>EE7308AA</b>
SHEET <b>1 OF 1</b>	



**P.O. BOX 8003  
WAUSAU, WI 54401-8003  
PH. 715-675-3311**

**CERTIFICATION DATA SHEET**

**CUSTOMER:**

**CUSTOMER  
PO#:**

**ORDER #:**

**MODEL #:** 286TTFCD6026 BB

**CONN. DIAGRAM:** A-EE7308AA

**CUSTOMER PART  
#:**

**OUTLINE:** SS620704-286

**MOUNTING:** F1/F2 CAPABLE

**WINDING #:** HE31804006 2

**TYPICAL MOTOR PERFORMANCE DATA**

HP	kW	SYNC. RPM	F.L. RPM	FRAME	ENCLOSURE	KVA CODE	DESIGN
30&25	22.4&18.7	1800	1775&1475	286T	TEFC	G	B

PH	Hz	VOLTS	AMPS	START TYPE	DUTY	INSL	S.F.	AMB°C
3	60/50	230/460&190/380	72.5/36.5&73/36.5	Y START D RUN OR INV	CONTINUOUS	F7	1.15/1.15	40

FULL LOAD EFF:	93.6&93	3/4 LOAD EFF:	93.6	1/2 LOAD EFF:	93	GTD. EFF	ELEC. TYPE
FULL LOAD PF:	83&84	3/4 LOAD PF:	78	1/2 LOAD PF:	67.5	93	SQ CAGE INV RATED

F.L. TORQUE	LOCKED ROTOR AMPS	L.R. TORQUE	B.D. TORQUE	F.L. RISE°C
89 LB-FT	434 / 217	178 LB-FT 200 %	227 LB-FT 255 %	65

SOUND PRESSURE @ 3 FT.	SOUND POWER	ROTOR WK^2	MAX. WK^2	SAFE STALL TIME	STARTS / HOUR	APPROX. MOTOR WGT
68 dBA	78 dBA	5.7 LB-FT^2	225 LB-FT^2	20 SEC.	2	492 LBS.

**\*\*\* SUPPLEMENTAL INFORMATION \*\*\***

DE BRACKET TYPE	ODE BRACKET TYPE	MOUNT TYPE	ORIENTATION	SEVERE DUTY	HAZARDOUS LOCATION	DRIP COVER	SCREENS	PAINT
STANDARD	STANDARD	RIGID	HORIZONTAL	FALSE	DIVISION 2 T2B	FALSE	NONE	BLUE (ENAMEL)

BEARINGS		GREASE	SHAFT TYPE	SPECIAL DE	SPECIAL ODE	SHAFT MATERIAL	FRAME MATERIAL
DE	ODE						
BALL	BALL	POLYREX EM	T	NONE	NONE	1045 HOT ROLLED (C-204)	CAST IRON
6311	6211						

THERMO-PROTECTORS				THERMISTORS	CONTROL	SPACE HEATERS
THERMOSTATS	PROTECTORS	WDG RTDs	BRG RTDs			
NONE	NOT	NONE	NONE	NONE	FALSE	NONE VOLTS

\*  
N  
O  
T  
E  
S  
\*

<b>INVERTER</b> <b>TORQUE:</b> CONSTANT 10:1/VARIABLE 10:1
<b>INV. HP SPEED RANGE:</b> NONE
<b>ENCODER:</b> NONE NONE NONE NONE NONE PPR
<b>BRAKE:</b> NONE NONE NONE P/N NONE NONE NONE NONE FT-LB NONE V NONE Hz

**PREPARED BY:** Anusha Muthyala  
**DATE:** 09/24/2019 01:38:34 AM  
FORM 3531 REV.3 02/07/99  
\*\* Subject to change without notice.

Data Sheet

Date: 7/16/2020  
 Customer: \_\_\_\_\_  
 Attention: \_\_\_\_\_  
 Submitted by: \_\_\_\_\_

286TTFCD6026



Submittal

Data @ 460 V

Motor Load Data

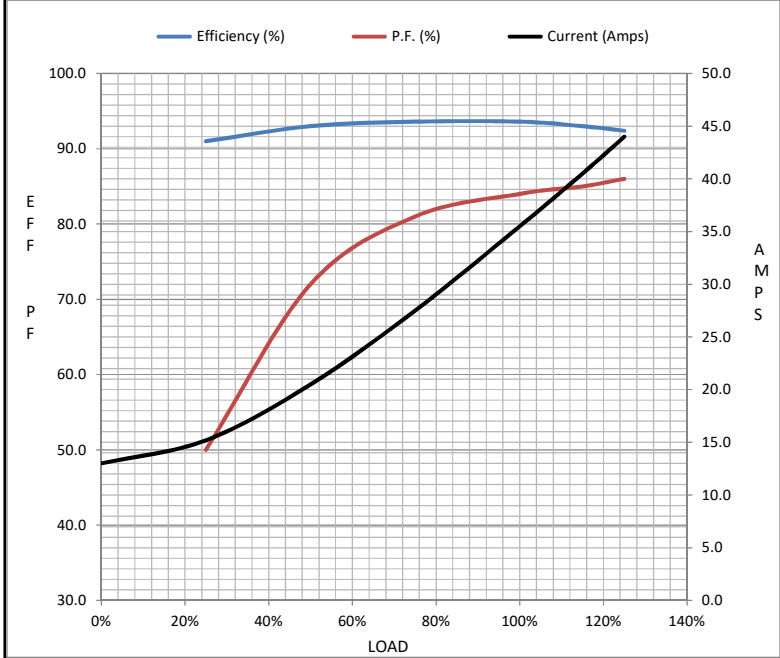
Load	0%	25%	50%	75%	100%	115%	125%	LR
Current (Amps)	13.0	15.2	20.5	27.5	35.5	40.5	44.0	215
Torque (ft-lb)	0.00	22.0	44.0	66.5	89.0	103	112	169
RPM	1800	1792	1785	1780	1770	1,765	1762	0
Efficiency (%)		91.0	93.0	93.6	93.6	93.0	92.4	
P.F. (%)	4.5	50.0	72.0	81.0	84.0	85.0	86.0	36.0

Motor Speed Data

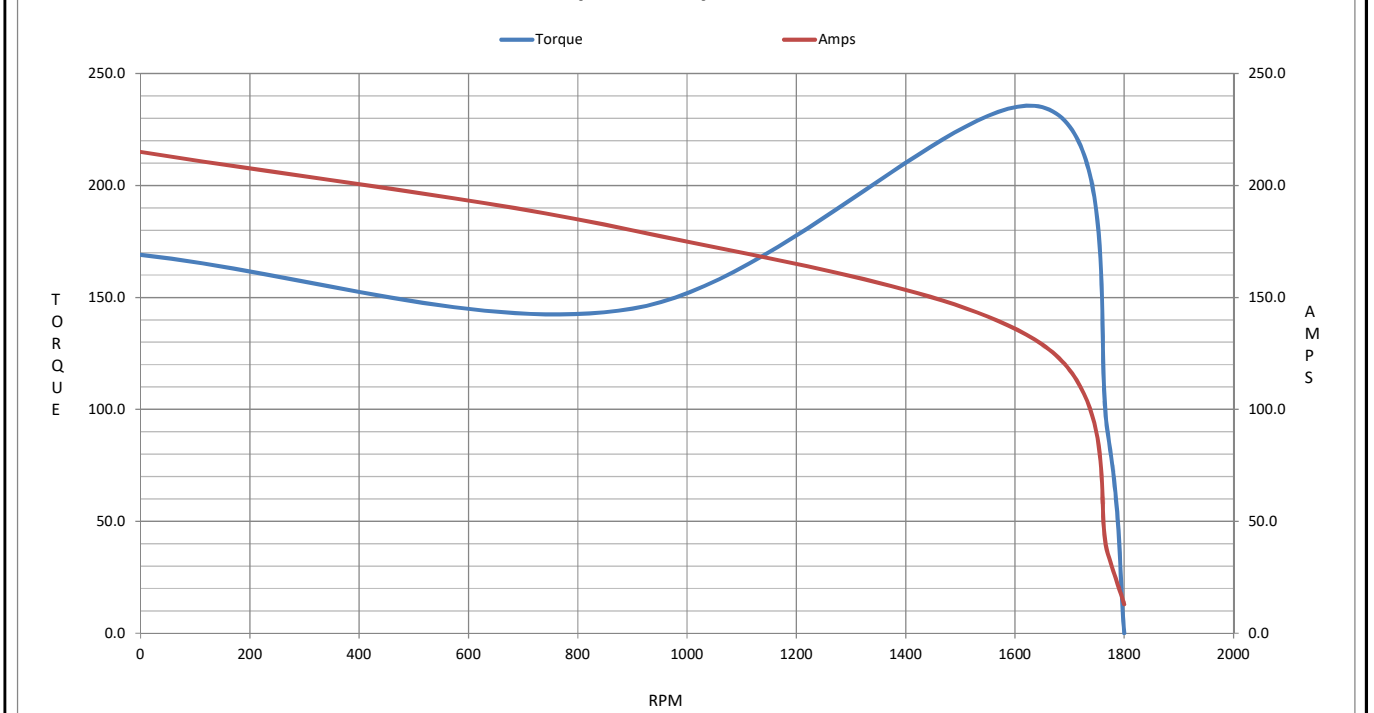
	LR	Pull-Up	BD	Rated	Idle
Speed (RPM)	0	900	1650	1770	1800
Current (Amps)	215	180	129	35.5	13.0
Torque (ft-lb)	169	145	235	89.0	0.00

Information Block

HP	30.0			
Sync. RPM	1800			
Frame	286			
Enclosure	TEFC			
Construction	TFC			
Voltage	208-230/460#190/380 V			
Frequency	60 Hz			
Design	B			
LR Code letter	G			
Service Factor	1.15			
Temp Rise @ FL	65 ° C			
Duty	CONT			
Ambient	40 ° C			
Elevation	3,300 feet			
Rotor/Shaft wk <sup>2</sup>	5.7 Lb-Ft <sup>2</sup>			
Ref Wdg	HA31804013 NONE			
Sound Pressure @ 1M	75 dBA			
VFD Rating	CONSTANT 10:1/VARIABLE 10:1			
Outline Dwg	037898-912			
Conn. Diag	EE7308AA			
Additional Specifications:				
0				
0				
EQUIV CKT (OHMS / PHASE)				
R1	R2	X1	X2	Xm
0.1750	0.1250	0.6710	0.9400	20.3180



Speed -Torque Curve



## EC Declaration of Conformity

The undersigned representing  
the manufacturer:

Regal Beloit America  
100 East Randolph St.  
Wausau, WI 54401

and the authorized representative  
established within the Community:

Marathon Electric UK  
6F Thistleton Road Ind. Estate  
Market Overton  
Oakham, Rutland LE15 7PP UK

are committed to providing customers with products that comply with applicable regulations and international protocols to which they are subject, including the requirements of the European Parliament Directive on the Harmonization of the laws relating to electrical equipment designed for use within certain voltage limits (2014/35/EU).

Regal Beloit America declares that the following product(s), to which this declaration relates, are in conformity with the relevant sections of the EC standards listed below.

This statement supersedes any statements previously issued pertaining to the product(s) listed below and is subject to change without notice.

Model No : 286TTFCD6026

(Model No. may contain prefix and/or suffix characters)

Catalog No : GT1031A

Rework No : N/A

Directives :

Low Voltage Directive 2014/35/EU

Harmonized Standards Used :

EN 60034-1: 2010 (IEC 60034-1: 2010)

EN 60034-5: 2001/A1:2007 (IEC 60034-5: 2000/A1:2006)

Authorized Representative:



Michael A. Logsdon  
Vice President, Technology

Authorized Representative in the Community:



Julian Clark  
Marketing Engineer

Created on 09/01/2022

**CE 22**