

PRODUCT INFORMATION PACKET

Model No: 445TTFC6038

Catalog No: GT1052A-P

Globetrotter® General Purpose Motor, 150 HP, 3 Ph, 60 Hz, 460 V, 1800 RPM, 445T Frame, TEFC



Regal and Marathon are trademarks of Regal Rexnord Corporation or one of its affiliated companies.

©2022 Regal Rexnord Corporation, All Rights Reserved. MC017097E

Nameplate Specifications

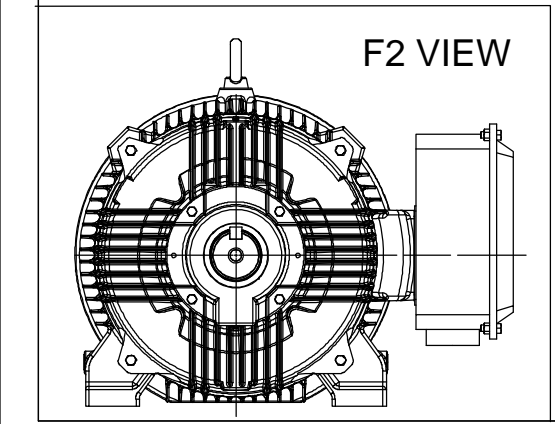
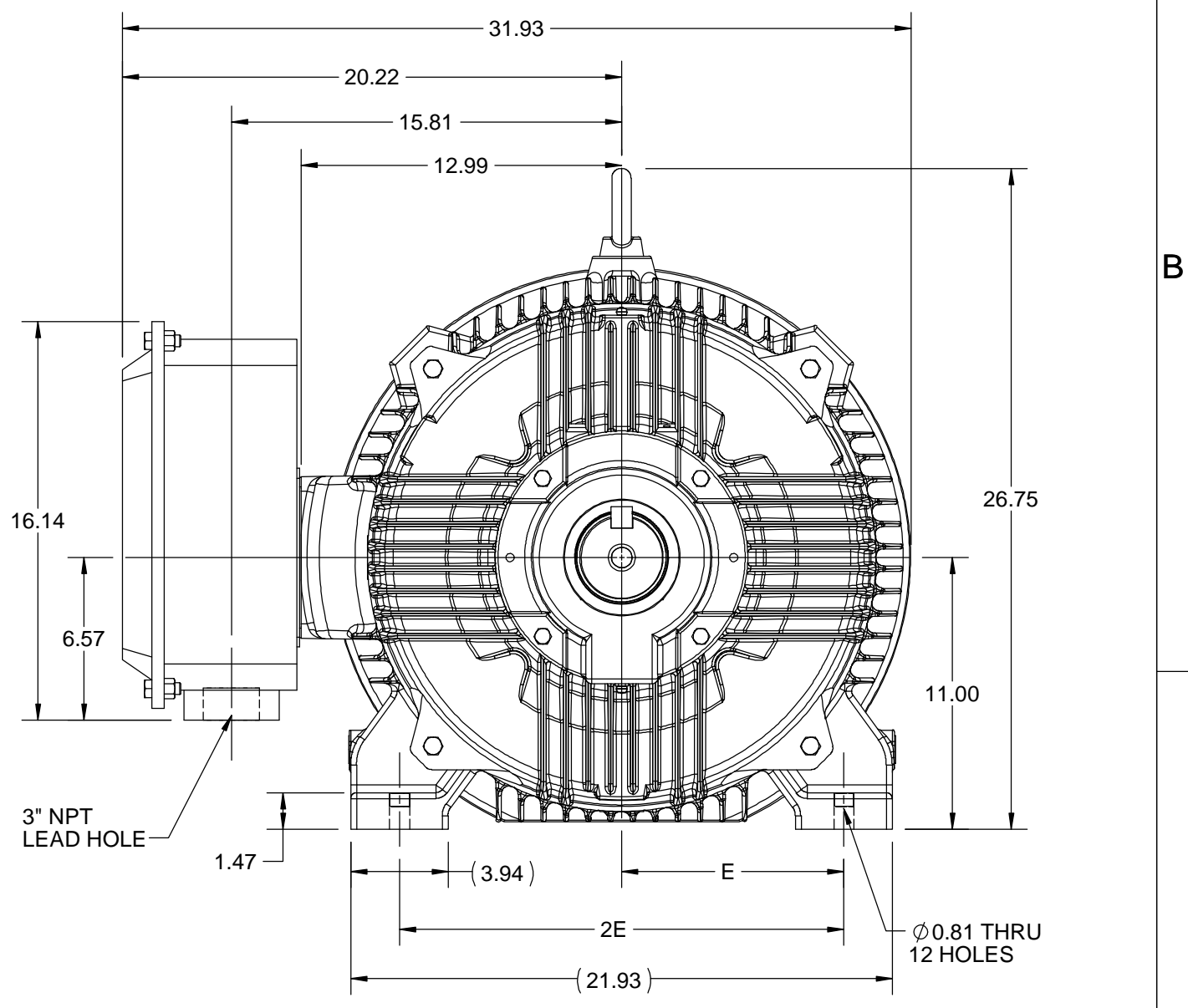
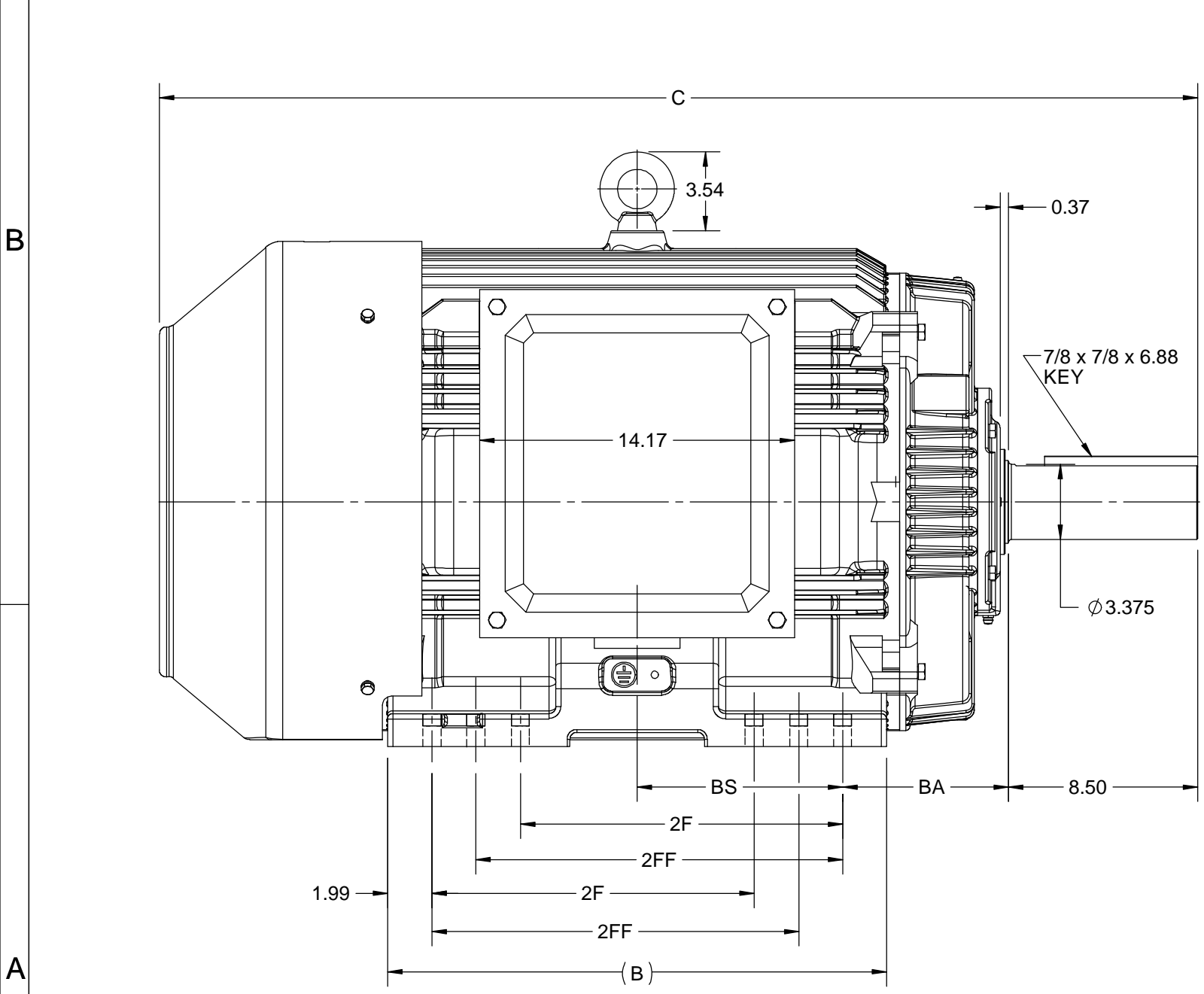
Output HP	150 Hp	Output KW	112.0 kW
Frequency	60 Hz	Voltage	460 V
Current	169.0 A	Speed	1790 rpm
Service Factor	1.15	Phase	3
Efficiency	95.8 %	Power Factor	87
Duty	Continuous	Insulation Class	F
Design Code	B	KVA Code	G
Frame	445T	Enclosure	Totally Enclosed Fan Cooled
Thermal Protection	No Protection	Ambient Temperature	40 °C
Drive End Bearing Size	6319	Opp Drive End Bearing Size	6317
UL	Recognized	CSA	Y
CE	Y	IP Code	55
Number of Speeds	1		

Technical Specifications

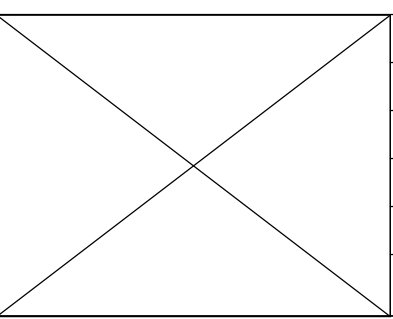
Electrical Type	Squirrel Cage Inverter Rated	Starting Method	Part Wdg Start Or Inverter
Poles	4	Rotation	Reversible
Resistance Main	.0294 Ohms	Mounting	Rigid Base
Motor Orientation	Horizontal	Drive End Bearing	Ball
Opp Drive End Bearing	Ball	Frame Material	Cast Iron
Shaft Type	T	Shaft Diameter	3.375 in
Assembly/Box Mounting	F1/F2 CAPABLE	Inverter Load	CONSTANT 2:1/VARIABLE 10:1
Outline Drawing	SS557009	Connection Drawing	EE7341C

This is an uncontrolled document once printed or downloaded and is subject to change without notice. Date Created:11/29/2022

4			3			2			1		
B	C	E	2E	2F	2FF	BA	BS	MOUNTING			
22.44	46.71	9.00	18.00	14.50	16.50	7.50	9.24	F1 OR F2			



DRAWING REVISION E	REVISION BY BISWA	DATE 12/10/2020
ECO ECO-0195135	APPROVED BY GNK	DATE 12/10/2020
ECO DESCRIPTION		
DRAWING UPDATED <small>COPYRIGHT REGAL BELOIT AMERICA, INC. ALL RIGHTS RESERVED. PROPRIETARY AND CONFIDENTIAL INFORMATION - THIS DOCUMENT IS THE PROPERTY OF REGAL BELOIT AMERICA, INC. ("OWNER") AND CONTAINS OWNER'S PROPRIETARY INFORMATION. ANY PERSON, CORPORATION OR OTHER FIRM RECEIVING IT IS DEEMED, BY RECEIVING IT, TO AGREE THAT IT, AND/OR ANY PART OF IT, SHALL NOT BE DISCLOSED TO ANY PERSON, CORPORATION OR OTHER ENTITY, DUPLICATED, AND/OR USED, EXCEPT AS EXPRESSLY APPROVED IN WRITING IN ADVANCE BY OWNER. THIS DOCUMENT SHALL BE RETURNED TO OWNER UPON REQUEST. IT MAY BE SUBJECT TO CERTAIN RESTRICTIONS UNDER APPLICABLE EXPORT CONTROL LAWS AND REGULATIONS.</small>		



DRAWN BY NIV	Regal Beloit America, Inc.
DATE 25/03/2016	
APPROVED BY SBD	DESCRIPTION OUTLINE 444/445T FR-TEFC
DATE 25/03/2016	
REFERENCE	MATERIAL PROCESS/FINISH
THIRD ANGLE PROJECTION	SIZE B
	DRAWING NUMBER SS557009
	SHEET 1 OF 1

EE7341C

THREE PHASE – PART WINDING START
DELTA – 6 LEADS

START

CONNECT T1 TO LINE 1
CONNECT T2 TO LINE 2
CONNECT T3 TO LINE 3
T7-T8-T9 OPEN

RUN

CONNECT T1&T7 TO LINE 1
CONNECT T2&T8 TO LINE 2
CONNECT T3&T9 TO LINE 3



VIEW OF TERMINAL END

IF MOTOR HAS 2 T'S

START

CONNECT T1,T1 TO LINE 1
CONNECT T2,T2 TO LINE 2
CONNECT T3,T3 TO LINE 3
T7,T7-T8,T8-T9,T9 OPEN

RUN

CONNECT T1,T1&T7,T7 TO LINE 1
CONNECT T2,T2&T8,T8 TO LINE 2
CONNECT T3,T3&T9,T9 TO LINE 3

				TOLERANCES UNLESS SPECIFIED		DRAWN BLR 03-09-1998	
				DEC.	INCHES	CHK ML 03-23-1998	
				.X	± -	APPD GK 03-23-1998	
				.XX	± -	SCALE 1=1	
				.XXX	± -	TITLE CONNECTION DIAGRAM	
				.XXX	± -	3φ - 6 LEADS	
				EMH	.XXXX	MAT'L.	
				CHK	ANG	FINISH	
				RFP		DRAWING NO. PAGE OF	
				DIST		REV.	
E	NOTE ADDED FOR 2 T'S	NAR 17-12-2020	RC	.XXX	± -	REF	
D	RE-DRAWN WITH REGAL LOGO ECO-0110493	WGJ 09-30-2016	EMH	.XXX	± -	FMF	
NO.	REVISION	BY & DATE	CHK	ANG	± -	PREV	
THIS DRAWING IN DESIGN AND DETAIL IS OUR PROPERTY AND MUST NOT BE USED EXCEPT IN CONNECTION WITH OUR WORK ALL RIGHTS OF DESIGN AND INVENTION ARE RESERVED THIS IS AN ELECTRONICALLY GENERATED DOCUMENT - DO NOT SCALE THIS PRINT				CAD FILE EE7341C		SIZE	EE7341C
						A	E

EC Declaration of Conformity

The undersigned representing
the manufacturer:

Regal Beloit America
100 East Randolph St.
Wausau, WI 54401

and the authorized representative
established within the Community:

Marathon Electric UK
6F Thistleton Road Ind. Estate
Market Overton
Oakham, Rutland LE15 7PP UK

are committed to providing customers with products that comply with applicable regulations and international protocols to which they are subject, including the requirements of the European Parliament Directive on the Harmonization of the laws relating to electrical equipment designed for use within certain voltage limits (2014/35/EU).

Regal Beloit America declares that the following product(s), to which this declaration relates, are in conformity with the relevant sections of the EC standards listed below.

This statement supersedes any statements previously issued pertaining to the product(s) listed below and is subject to change without notice.

Model No : 445TTFC6038

(Model No. may contain prefix and/or suffix characters)

Catalog No : GT1052A-P

Rework No : N/A

Directives :

Low Voltage Directive 2014/35/EU

Harmonized Standards Used :

EN 60034-1: 2010 (IEC 60034-1: 2010)

EN 60034-5: 2001/A1:2007 (IEC 60034-5: 2000/A1:2006)

Authorized Representative:



Michael A. Logsdon
Vice President, Technology

Authorized Representative in the Community:



Julian Clark
Marketing Engineer

Created on 09/01/2022

CE 22