

PRODUCT INFORMATION PACKET

marathon®
Motors

Model No: 449TSTFCD6002

Catalog No: GT1072-P

Globetrotter® General Purpose Motor, 300 HP, 3 Ph, 60 Hz, 460 V, 3600 RPM, 449TS Frame, TEFC



Regal and Marathon are trademarks of Regal Rexnord Corporation or one of its affiliated companies.
©2022 Regal Rexnord Corporation, All Rights Reserved. MC017097E

RegalRexnord

Nameplate Specifications

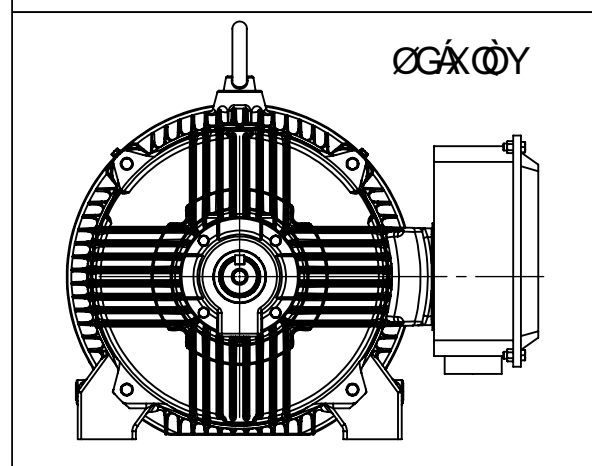
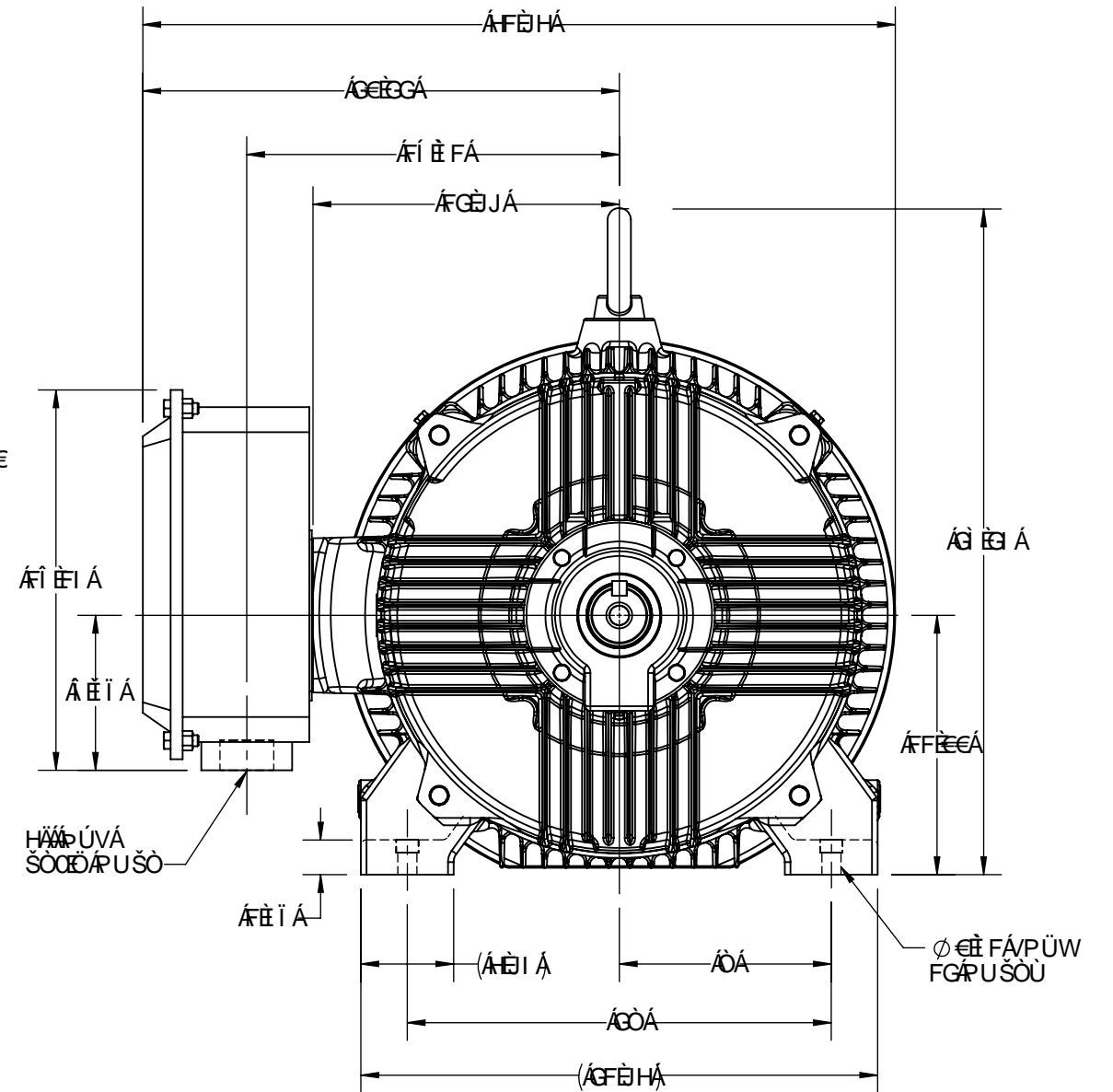
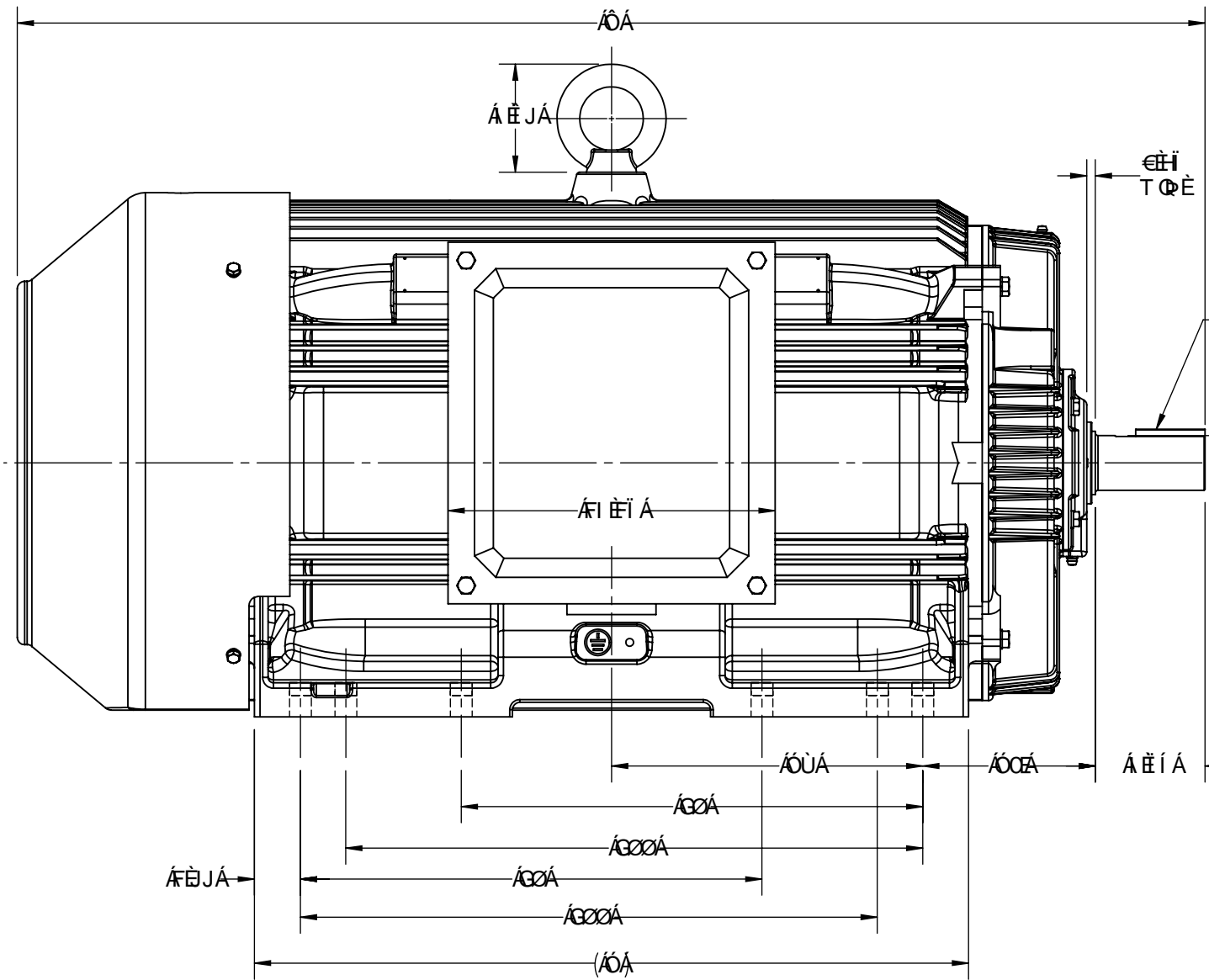
Output HP	300 Hp	Output KW	224.0 kW
Frequency	60 Hz	Voltage	460 V
Current	320.0 A	Speed	3580 rpm
Service Factor	1.15	Phase	3
Efficiency	95.8 %	Power Factor	91.5
Duty	Continuous	Insulation Class	F
Design Code	B	KVA Code	G
Frame	449TS	Enclosure	Totally Enclosed Fan Cooled
Thermal Protection	No Protection	Ambient Temperature	40 °C
Drive End Bearing Size	6314	Opp Drive End Bearing Size	6314
UL	Recognized	CSA	Y
CE	Y	IP Code	55
Number of Speeds	1		

Technical Specifications

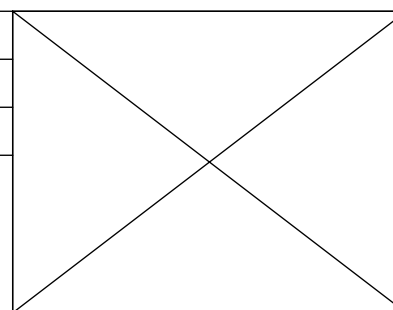
Electrical Type	Squirrel Cage Inverter Rated	Starting Method	Part Wdg Start Or Inverter
Poles	2	Rotation	Reversible
Resistance Main	.0117 Ohms	Mounting	Rigid Base
Motor Orientation	Horizontal	Drive End Bearing	Ball
Opp Drive End Bearing	Ball	Frame Material	Cast Iron
Shaft Type	TS	Shaft Diameter	2.375 in
Assembly/Box Mounting	F1/F2 CAPABLE	Inverter Load	CONSTANT 2:1/VARIABLE 10:1
Connection Drawing	EE7341C	Outline Drawing	SS557012

This is an uncontrolled document once printed or downloaded and is subject to change without notice. Date Created:11/29/2022

Ó	Ô	Ò	Ë	Ë	Ë	Ó	Ó	T U W Š P Ü Ø
Η	Ι	Ι	Ι	Γ	Γ	Ι	Φ	Ø



Ό	Ό	Ό
Ό	Ό	Ό
Ό		
Ό		



Ό	Ό	Ό
Ό	Ό	Ό
Ό	Ό	Ό
Ό	Ό	Ό
Ό	Ό	Ό
Ό	Ό	Ό

EE7341C

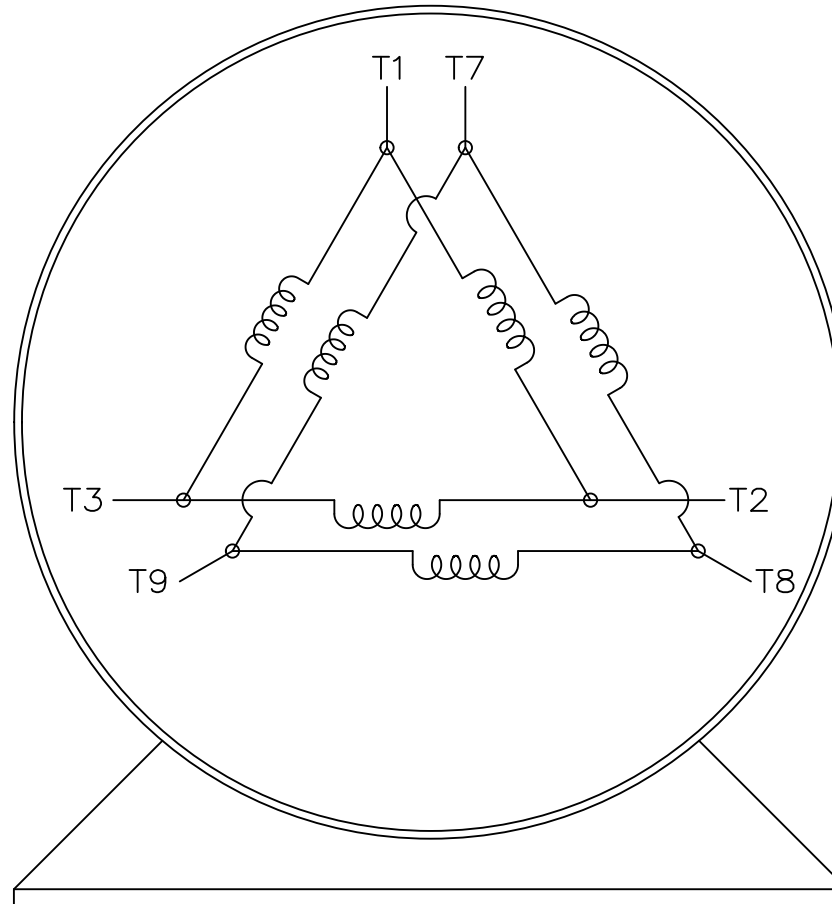
THREE PHASE – PART WINDING START
DELTA – 6 LEADS

START

CONNECT T1 TO LINE 1
CONNECT T2 TO LINE 2
CONNECT T3 TO LINE 3
T7-T8-T9 OPEN

RUN

CONNECT T1&T7 TO LINE 1
CONNECT T2&T8 TO LINE 2
CONNECT T3&T9 TO LINE 3



VIEW OF TERMINAL END

IF MOTOR HAS 2 T'S

START

CONNECT T1,T1 TO LINE 1
CONNECT T2,T2 TO LINE 2
CONNECT T3,T3 TO LINE 3
T7,T7-T8,T8-T9,T9 OPEN

RUN

CONNECT T1,T1&T7,T7 TO LINE 1
CONNECT T2,T2&T8,T8 TO LINE 2
CONNECT T3,T3&T9,T9 TO LINE 3

		TOLERANCES UNLESS SPECIFIED		REGAL REGAL-BELOIT CORPORATION		DRAWN	BLR	03-09-1998	
		DEC.	INCHES			CHK	ML	03-23-1998	
		.X	± -			APPD	GK	03-23-1998	
		.XX	± -	TITLE		SCALE 1=1			
E	NOTE ADDED FOR 2 T'S	NAR 17-12-2020	RC	.XXX	± -	CONNECTION DIAGRAM 3φ - 6 LEADS			
D	RE-DRAWN WITH REGAL LOGO ECO-0110493	WGJ 09-30-2016	EMH	.XXXX	± -	REF			
NO.	REVISION	BY & DATE	CHK	ANG	± -	PREV			
THIS DRAWING IN DESIGN AND DETAIL IS OUR PROPERTY AND MUST NOT BE USED EXCEPT IN CONNECTION WITH OUR WORK ALL RIGHTS OF DESIGN AND INVENTION ARE RESERVED THIS IS AN ELECTRONICALLY GENERATED DOCUMENT - DO NOT SCALE THIS PRINT				RFP	CAD FILE EE7341C	SIZE	DRAWING NO.	PAGE OF	REV.
				DIST		A	EE7341C		E

EC Declaration of Conformity

The undersigned representing
the manufacturer:

Regal Beloit America
100 East Randolph St.
Wausau, WI 54401

and the authorized representative
established within the Community:

Marathon Electric UK
6F Thistleton Road Ind. Estate
Market Overton
Oakham, Rutland LE15 7PP UK

are committed to providing customers with products that comply with applicable regulations and international protocols to which they are subject, including the requirements of the European Parliament Directive on the Harmonization of the laws relating to electrical equipment designed for use within certain voltage limits (2014/35/EU).

Regal Beloit America declares that the following product(s), to which this declaration relates, are in conformity with the relevant sections of the EC standards listed below.

This statement supersedes any statements previously issued pertaining to the product(s) listed below and is subject to change without notice.

Model No : 449TSTFCD6002

(Model No. may contain prefix and/or suffix characters)

Catalog No : GT1072-P

Rework No : N/A

Directives :

Low Voltage Directive 2014/35/EU

Harmonized Standards Used :

EN 60034-1: 2010 (IEC 60034-1: 2010)

EN 60034-5: 2001/A1:2007 (IEC 60034-5: 2000/A1:2006)

Authorized Representative:



Michael A. Logsdon
Vice President, Technology

Authorized Representative in the Community:



Julian Clark
Marketing Engineer

Created on 09/01/2022

CE 22