

# PRODUCT INFORMATION PACKET

marathon®  
Motors

Model No: 449TTFC6027

Catalog No: GT1073

Globetrotter® General Purpose Motor, 300 HP, 3 Ph, 60 Hz, 460 V, 1800 RPM, 449T Frame, TEFC



Regal and Marathon are trademarks of Regal Rexnord Corporation or one of its affiliated companies.  
©2023 Regal Rexnord Corporation, All Rights Reserved. MC017097E

RegalRexnord®



**Nameplate Specifications**

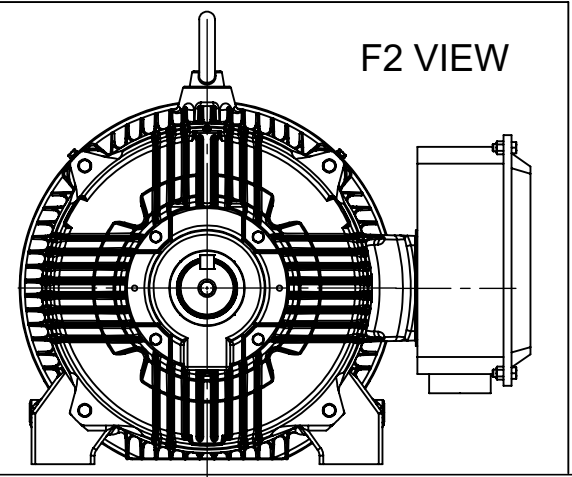
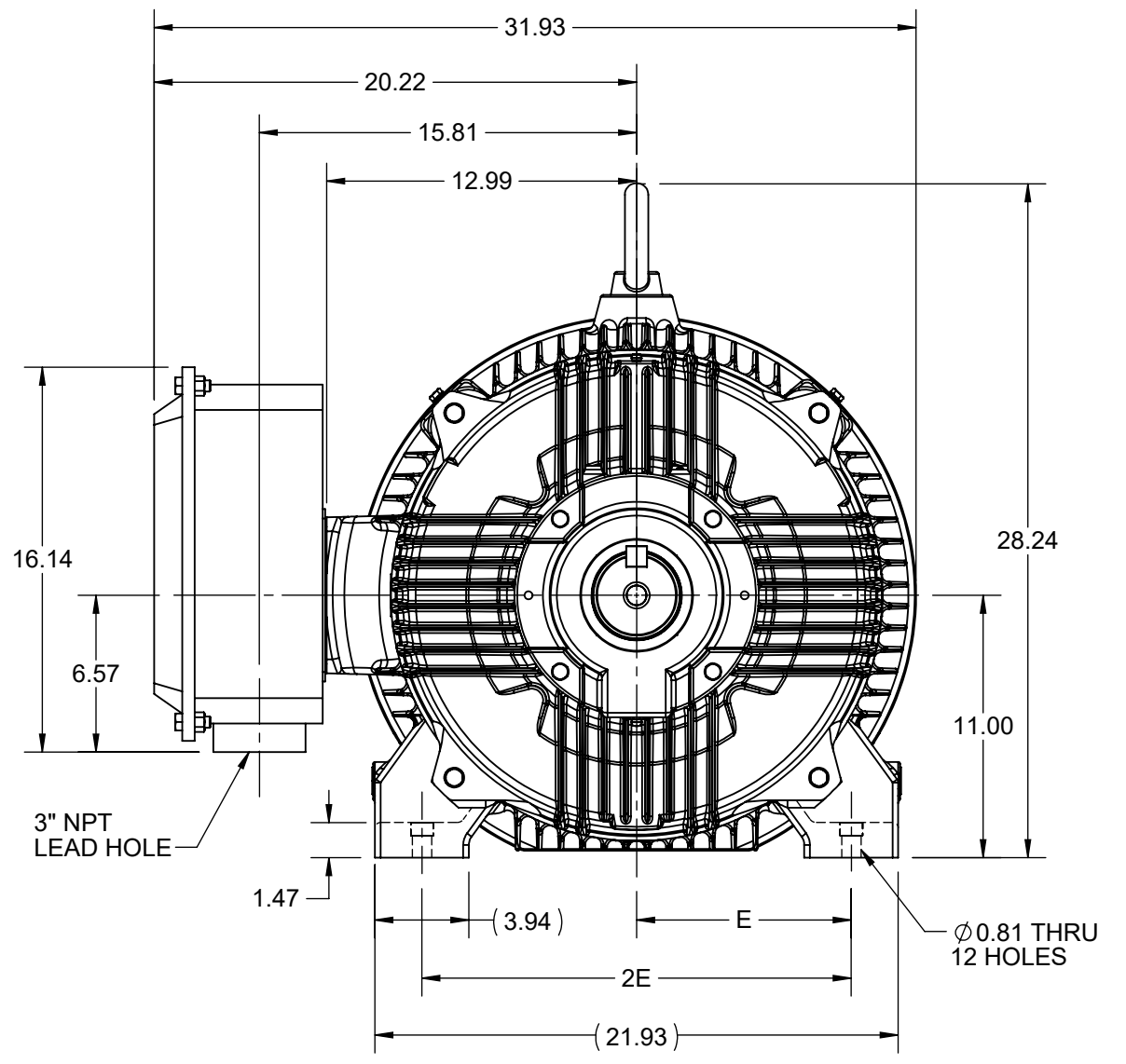
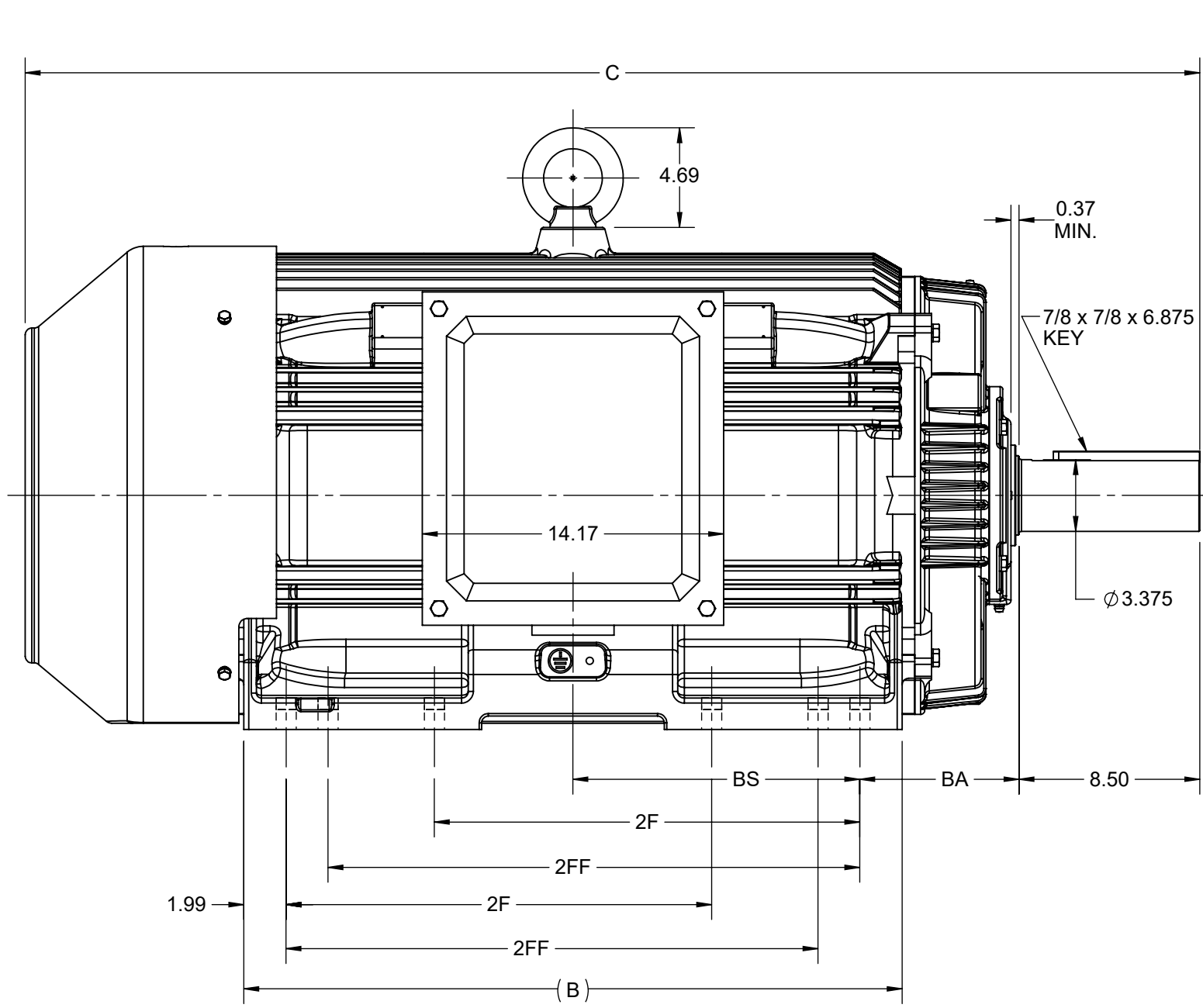
Output HP	<b>300 Hp</b>	Output KW	<b>224.0 kW</b>
Frequency	<b>60 Hz</b>	Voltage	<b>460 V</b>
Current	<b>332.0 A</b>	Speed	<b>1790 rpm</b>
Service Factor	<b>1.15</b>	Phase	<b>3</b>
Efficiency	<b>96.2 %</b>	Power Factor	<b>88.5</b>
Duty	<b>Continuous</b>	Insulation Class	<b>F</b>
Design Code	<b>B</b>	KVA Code	<b>G</b>
Frame	<b>449T</b>	Enclosure	<b>Totally Enclosed Fan Cooled</b>
Thermal Protection	<b>No Protection</b>	Ambient Temperature	<b>40 °C</b>
Drive End Bearing Size	<b>6319</b>	Opp Drive End Bearing Size	<b>6317</b>
UL	<b>Listed</b>	CSA	<b>Y</b>
CE	<b>Y</b>	IP Code	<b>55</b>
Hazardous Location	<b>DIVISION 2 T2B</b>	Number of Speeds	<b>1</b>

**Technical Specifications**

Electrical Type	<b>Squirrel Cage Inverter Rated</b>	Starting Method	<b>Part Wdg Start Or Inverter</b>
Poles	<b>4</b>	Rotation	<b>Reversible</b>
Resistance Main	<b>.013 Ohms</b>	Mounting	<b>Rigid Base</b>
Motor Orientation	<b>Horizontal</b>	Drive End Bearing	<b>Ball</b>
Opp Drive End Bearing	<b>Ball</b>	Frame Material	<b>Cast Iron</b>
Shaft Type	<b>T</b>	Shaft Diameter	<b>3.375 in</b>
Assembly/Box Mounting	<b>F1/F2 CAPABLE</b>	Inverter Load	<b>CONSTANT 2:1/VARIABLE 10:1</b>
Connection Drawing	<b>EE7341C</b>	Outline Drawing	<b>SS557013</b>

This is an uncontrolled document once printed or downloaded and is subject to change without notice. Date Created:01/24/2023

4			3			2			1		
B	C	E	2E	2F	2FF	BA	BS	MOUNTING			
30.94	55.21	9.00	18.00	20.00	25.00	7.50	13.48	F1 OR F2			



DRAWING REVISION D	REVISION BY BISWA	REV DATE/© DATE 13/01/2021
ECO CR-0000557	APPROVED BY GNK	DATE 13/01/2021
ECO DESCRIPTION <b>DRAWING UPDATED</b>		
<small>COPYRIGHT (PER REVISION DATE) REGAL BELOIT AMERICA, INC. ALL RIGHTS RESERVED. PROPRIETARY AND CONFIDENTIAL INFORMATION - THIS DOCUMENT IS THE PROPERTY OF REGAL BELOIT AMERICA, INC. ("OWNER") AND CONTAINS OWNER'S PROPRIETARY INFORMATION. ANY PERSON, CORPORATION OR OTHER FIRM RECEIVING IT IS DEEMED, BY RECEIVING IT, TO AGREE THAT IT, AND/OR ANY PART OF IT, SHALL NOT BE DISCLOSED TO ANY PERSON, CORPORATION OR OTHER ENTITY, DUPLICATED, AND/OR USED, EXCEPT AS EXPRESSLY APPROVED IN WRITING IN ADVANCE BY OWNER. THIS DOCUMENT SHALL BE RETURNED TO OWNER UPON REQUEST. IT MAY BE SUBJECT TO CERTAIN RESTRICTIONS UNDER APPLICABLE EXPORT CONTROL LAWS AND REGULATIONS.</small>		

PRIMARY DIMENSIONS ARE INCH  
mm DIMENSIONS IN [BRACKETS]  
ARE FOR REFERENCE ONLY

DRAWN BY NIV	<b>REGAL</b> ® Regal Beloit America, Inc.
DATE 23/05/2016	
APPROVED BY SBD	DESCRIPTION <b>OUTLINE</b> 447/449T FR-TEFC
DATE 23/05/2016	MATERIAL
REFERENCE	PROCESS/FINISH
THIRD ANGLE PROJECTION	SIZE B
	DRAWING NUMBER SS557013
	SHEET 1 OF 1

EE7341C

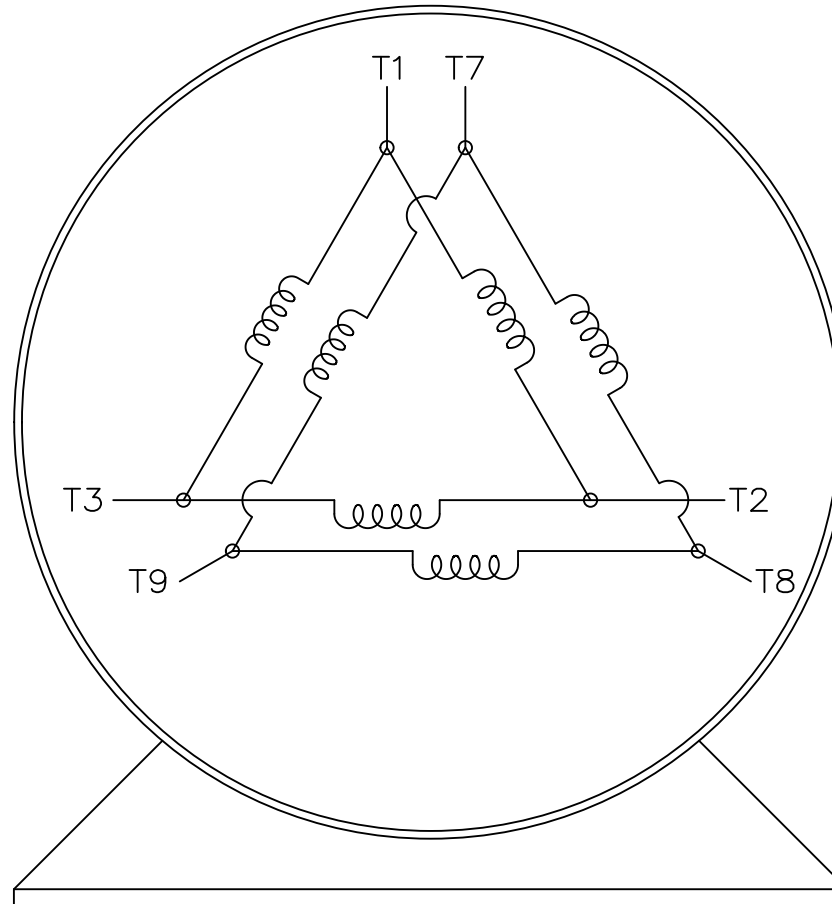
THREE PHASE – PART WINDING START  
DELTA – 6 LEADS

START

CONNECT T1 TO LINE 1  
CONNECT T2 TO LINE 2  
CONNECT T3 TO LINE 3  
T7-T8-T9 OPEN

RUN

CONNECT T1&T7 TO LINE 1  
CONNECT T2&T8 TO LINE 2  
CONNECT T3&T9 TO LINE 3



VIEW OF TERMINAL END

IF MOTOR HAS 2 T'S

START

CONNECT T1,T1 TO LINE 1  
CONNECT T2,T2 TO LINE 2  
CONNECT T3,T3 TO LINE 3  
T7,T7-T8,T8-T9,T9 OPEN

RUN

CONNECT T1,T1&T7,T7 TO LINE 1  
CONNECT T2,T2&T8,T8 TO LINE 2  
CONNECT T3,T3&T9,T9 TO LINE 3

		TOLERANCES UNLESS SPECIFIED		REGAL REGAL-BELOIT CORPORATION		DRAWN	BLR	03-09-1998
		DEC.	INCHES			CHK	ML	03-23-1998
		.X	± -			APPD	GK	03-23-1998
		.XX	± -	TITLE		SCALE 1=1		
E	NOTE ADDED FOR 2 T'S	NAR 17-12-2020	RC	.XXX	± -	CONNECTION DIAGRAM		REF
D	RE-DRAWN WITH REGAL LOGO ECO-0110493	WGJ 09-30-2016	EMH	.XXXX	± -	3ø - 6 LEADS		FMF
NO.	REVISION	BY & DATE	CHK	ANG	± -	FINISH		PREV
THIS DRAWING IN DESIGN AND DETAIL IS OUR PROPERTY AND MUST NOT BE USED EXCEPT IN CONNECTION WITH OUR WORK ALL RIGHTS OF DESIGN AND INVENTION ARE RESERVED THIS IS AN ELECTRONICALLY GENERATED DOCUMENT - DO NOT SCALE THIS PRINT			RFP	CAD FILE EE7341C		SIZE	DRAWING NO. PAGE OF REV.	
			DIST			A	EE7341C	E



P.O. BOX 8003  
 WAUSAU, WI 54401-8003  
 PH. 715-675-3311

DATA VOLTS: 460

**CERTIFICATION DATA SHEET**

CUSTOMER:  
 ORDER #: \_\_\_\_\_  
 CONN. DIAGRAM: EE7341C  
 OUTLINE: S557013  
 WINDING: HA32804030 NONE 1  
 SPEED: \_\_\_\_\_

CUSTOMER P.O. #: \_\_\_\_\_  
 REFERENCE MODEL #: 449TTFCD6027  
 CAT #: GT1073  
 CUSTOMER PART #: \_\_\_\_\_  
 MOUNTING: F1/F2 CAPABLE

**TYPICAL MOTOR PERFORMANCE DATA**

HP	KW	SYNC RPM	FL RPM	FRAME	ENCLOSURE	TYPE	KVA CODE	DESIGN
300	224	1800	1790	447/449T	TEFC	TFC	G	B

PH	HZ	VOLTS	AMPS	START TYPE	DUTY	INSL	S.F.	AMB	ELEV.
3	60/50	460#380	332&343	PWS OR INVERTER	CONT	F	1.15	40	3300

F.L. EFF	96.2	3/4 LD EFF	96.2	1/2 LD EFF	95.4	GTD EFF	ELECT. TYPE
F.L. PF	88.5	3/4 LD PF	86.5	1/2 LD PF	80.5	95.8	SQ CAGE INV RATED

F.L. TORQUE	LR AMPS @ 460 V	L.R. TORQUE	B.D. TORQUE	F.L. RISE (°C)
880 LB-FT	2.200	1,950 LB-FT	222%	3,000 LB-FT 341%

SOUND PRESSURE @ 3 FT.	SOUND	POWER	ROTOR WK <sup>2</sup>	MAX. LOAD WK <sup>2</sup>	SAFE STALL TIME	STARTS/HOUR	APROX.	MOTOR WGT
80 dBA	89 dBA		15.10 LB-FT <sup>2</sup>	250 LB-FT <sup>2</sup>	25 SEC.	2	2680	LB.

**\*\*\* SUPPLEMENTAL INFORMATION \*\*\***

DE BRACKET TYPE	ODE BRACKET TYPE	MOUNT TYPE	MOTOR ORIENTATION	SEVERE DUTY	HAZARDOUS LOCATION	DRIP COVER	SCREENS	PAINT
STANDARD	STANDARD	RIGID	HORIZONTAL	NO	DIVISION 2 T2B	YES	NONE	BLUE (ENAMEL)

BEARINGS		GREASE	SHAFT TYPE	SPECIAL DE	SPECIAL ODE	SHAFT MATERIAL	FRAME MATERIAL
DE	ODE	POLYREX EM	T	NONE	NONE	1045 HOT ROLLED (C-204)	CAST IRON
BALL	BALL						
6319	6317						

THERMOSTATS	PROTECTORS	WDG RTD's	BRG RTD's	THERMISTORS	CONTROL	SPACE HEATERS
NONE	NOT	NONE	NONE	NONE	FALSE	NA

R1 (ohms/ph)	R2 (ohms/ph)	X1 (ohms/ph)	X2 (ohms/ph)	Xm (ohms/ph)	VIBRATION (in/sec)	FLOAT
0.008	0.005	0.05	0.124	2.765	0.150	NONE

NOTES	INVERTER TORQUE: CONSTANT 2.1/VARIABLE 10:1					
	INV. HP SPEED RANGE: NONE					
	ENCODER: NONE					
	NONE PPR					

PREPARED BY: _____	BRAKE: NONE
DATE: 10/5/2021	NONE NONE
	FT-LB: NA
	VOLTAGE: NONE
	HZ: _____
FORM: 3531 REV. 4 2/27/06	UL: NO LETTER - ME, WUXI TEFC BLUEWHALE CLASS 1 DIV. 2 UL LISTED

Data Sheet

Date: 10/5/2021  
 Customer: \_\_\_\_\_  
 Attention: \_\_\_\_\_  
 Submitted by: \_\_\_\_\_



449TTFCD6027

Submittal

Data @ **460** V

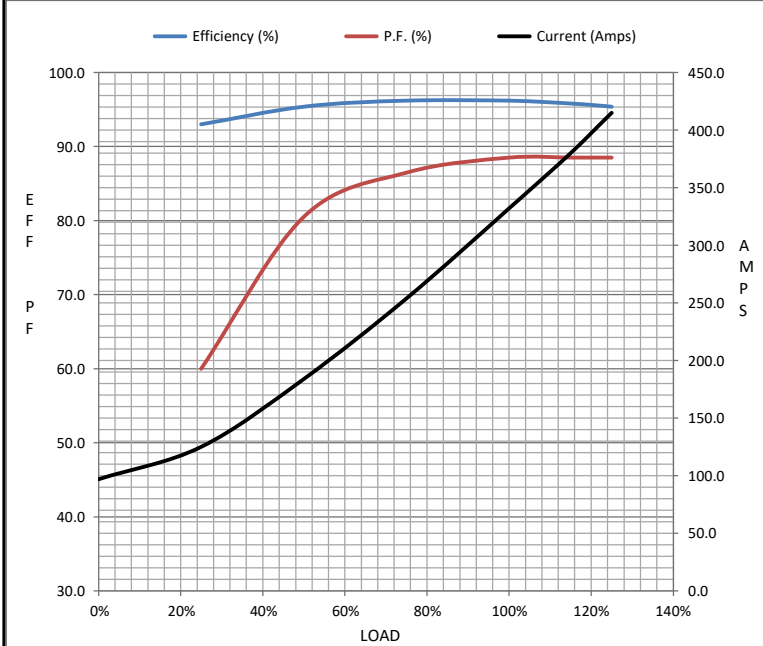
Motor Load Data

Load	0%	25%	50%	75%	100%	115%	125%	LR
Current (Amps)	97.0	125	184	254	332	380	415	2,200
Torque (ft-lb)	0.00	220	438	660	880	1,013	1,100	1,950
RPM	1800	1798	1795	1793	1790	1,788	1787	0
Efficiency (%)		93.0	95.4	96.2	96.2	95.8	95.4	
P.F. (%)	5.5	60.0	80.5	86.5	88.5	88.5	88.5	41.0

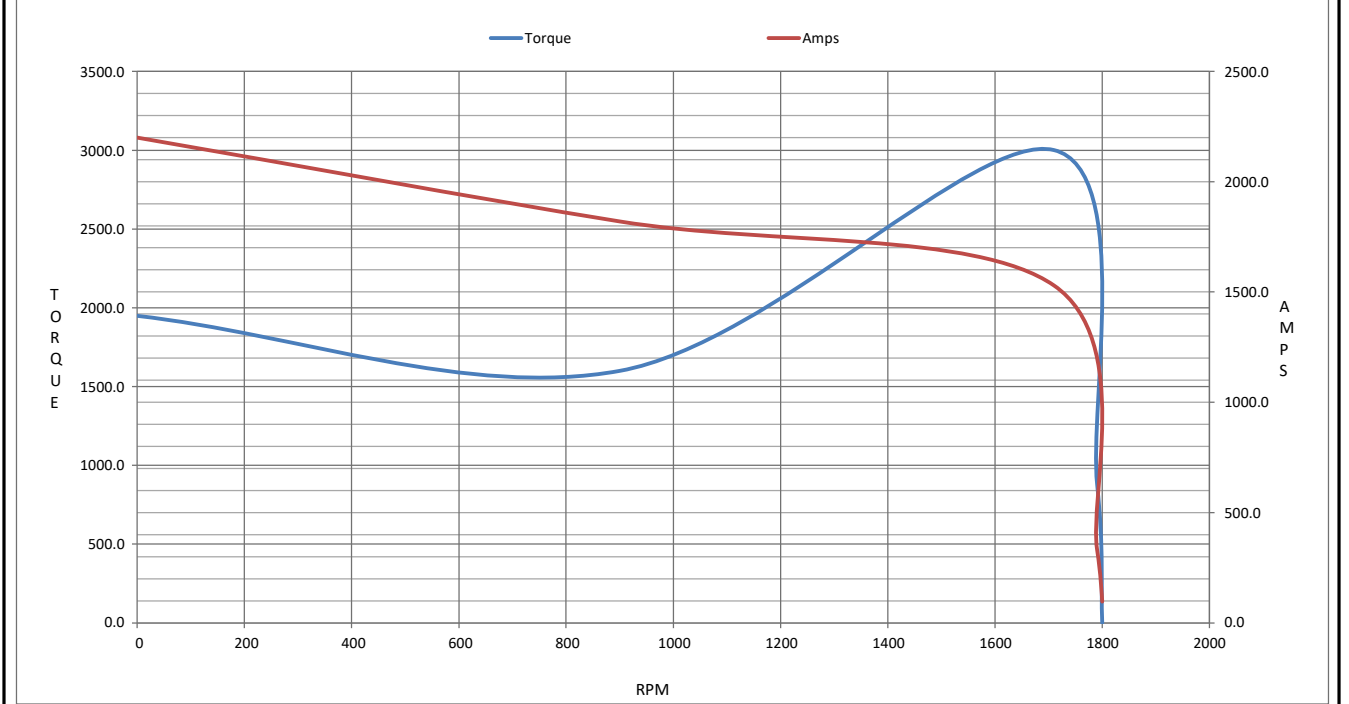
Motor Speed Data

	LR	Pull-Up	BD	Rated	Idle
Speed (RPM)	0	900	1710	1790	1800
Current (Amps)	2,200	1,820	1,530	332	97.0
Torque (ft-lb)	1,950	1,600	3,000	880	0.00

Information Block				
HP	300.0			
Sync. RPM	1800			
Frame	449			
Enclosure	TEFC			
Construction	TFC			
Voltage	460#380 V			
Frequency	60 Hz			
Design	B			
LR Code letter	G			
Service Factor	1.0			
Temp Rise @ FL	90 ° C			
Duty	CONT			
Ambient	40 ° C			
Elevation	3,300 feet			
Rotor/Shaft wk <sup>2</sup>	15.1 Lb-F <sup>2</sup>			
Ref Wdg	HA32804030 NONE			
Sound Pressure @ 1M	80 dBA			
VFD Rating	CONSTANT 2:1/VARIABLE 10:1			
Outline Dwg	SS557013			
Conn. Diag	EE7341C			
Additional Specifications:				
0				
0				
EQUIV CKT (OHMS / PHASE)				
R1	R2	X1	X2	Xm
0.0080	0.0050	0.0500	0.1240	2.7650



Speed - Torque Curve



## EC Declaration of Conformity

The undersigned representing  
the manufacturer:

Regal Beloit America  
100 East Randolph St.  
Wausau, WI 54401

and the authorized representative  
established within the Community:

Marathon Electric UK  
6F Thistleton Road Ind. Estate  
Market Overton  
Oakham, Rutland LE15 7PP UK

are committed to providing customers with products that comply with applicable regulations and international protocols to which they are subject, including the requirements of the European Parliament Directive on the Harmonization of the laws relating to electrical equipment designed for use within certain voltage limits (2014/35/EU).

Regal Beloit America declares that the following product(s), to which this declaration relates, are in conformity with the relevant sections of the EC standards listed below.

This statement supersedes any statements previously issued pertaining to the product(s) listed below and is subject to change without notice.

Model No : 449TTFCD6027

(Model No. may contain prefix and/or suffix characters)

Catalog No : GT1073

Rework No : N/A

Directives :

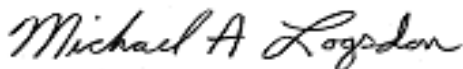
Low Voltage Directive 2014/35/EU

Harmonized Standards Used :

EN 60034-1: 2010 (IEC 60034-1: 2010)

EN 60034-5: 2001/A1:2007 (IEC 60034-5: 2000/A1:2006)

Authorized Representative:



Michael A. Logsdon  
Vice President, Technology

Authorized Representative in the Community:



Julian Clark  
Marketing Engineer

Created on 09/01/2022

 **22**