

PRODUCT INFORMATION PACKET

Model No: 213TTFC6005

Catalog No: GT1115

General Purpose Motor, 7.50 HP, 3 Ph, 60 Hz, 575 V, 3600 RPM, 213T Frame, TEFC



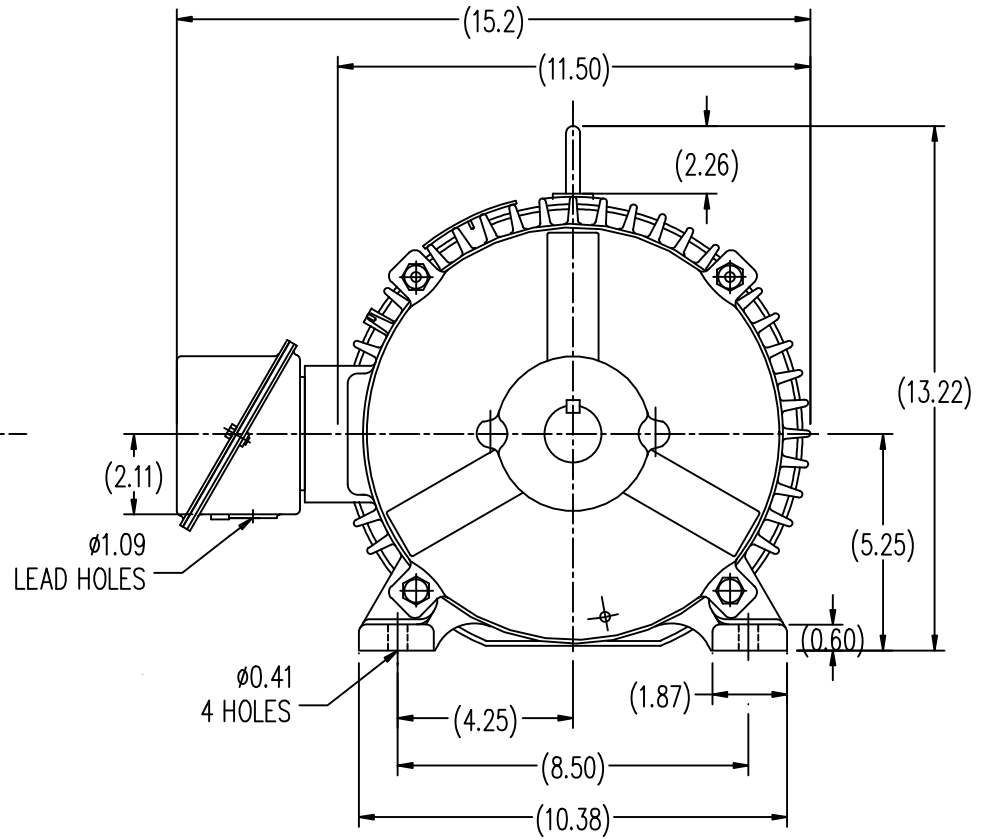
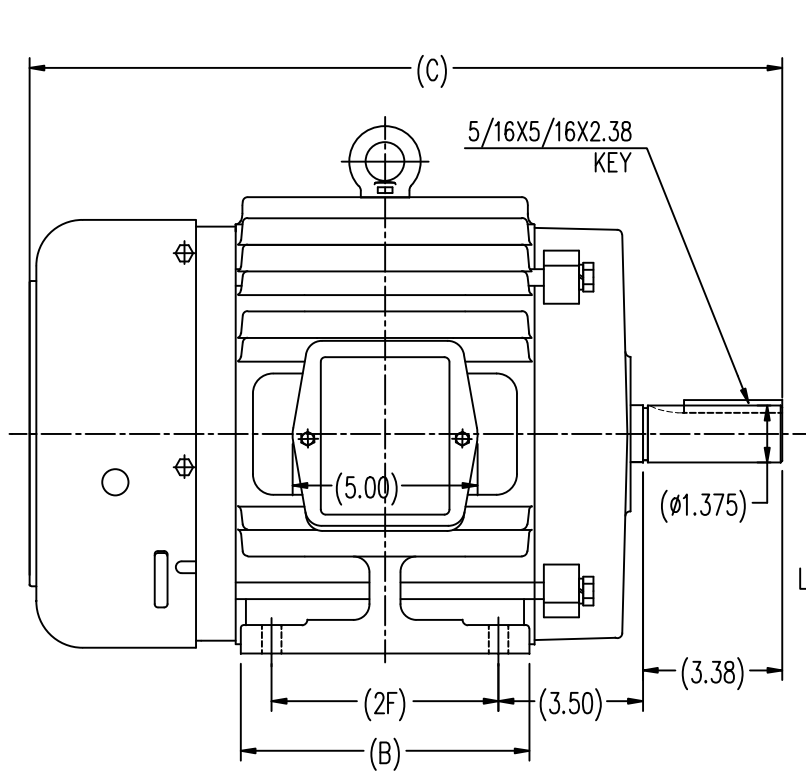
Regal and are trademarks of Regal Rexnord Corporation or one of its affiliated companies.
©2022 Regal Rexnord Corporation, All Rights Reserved. MC017097E

Nameplate Specifications

Output HP	7.50 Hp	Output KW	5.6 kW
Frequency	60 Hz	Voltage	575 V
Current	7.1 A	Speed	3525 rpm
Service Factor	1.15	Phase	3
Efficiency	89.5 %	Power Factor	88
Duty	Continuous	Insulation Class	F
Design Code	B	KVA Code	G
Frame	213T	Enclosure	Totally Enclosed Fan Cooled
Thermal Protection	No Protection	Ambient Temperature	40 °C
Drive End Bearing Size	6307	Opp Drive End Bearing Size	6206
UL	Recognized	CSA	Y
CE	Y	IP Code	43
Number of Speeds	1		

Technical Specifications

Electrical Type	Squirrel Cage Induction Run	Starting Method	Across The Line
Poles	2	Rotation	Reversible
Resistance Main	.805 Ohms	Mounting	Rigid Base
Motor Orientation	Horizontal	Drive End Bearing	Ball
Opp Drive End Bearing	Ball	Frame Material	Cast Iron
Shaft Type	T	Overall Length	18.23 in
Shaft Diameter	1.375 in	Shaft Extension	3.37 in
Assembly/Box Mounting	F1/F2 CAPABLE		
Outline Drawing	SS620291-213T	Connection Drawing	A-EE7300



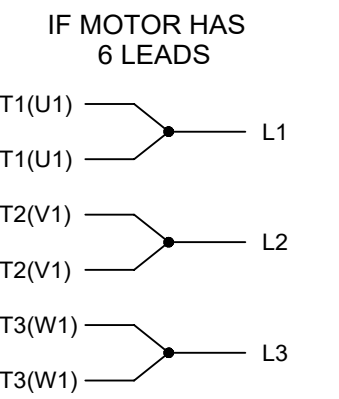
213T	7.00	18.23	5.50
215T	8.50	19.73	7.00
FRAME	B	C	2F

		TOLERANCES UNLESS SPECIFIED		REGAL-BELOIT CORPORATION		DRAWN HZJ 03-05-2010	
		DEC.	INCHES	REGAL-BELOIT CORPORATION		CHK ZYH 03-05-2010	
		.X	\pm .1	TITLE		APPD CL 03-05-2010	
		.XX	\pm .03	213/215T FR TEFC-CAST IRON		SCALE 1=3	
		.XXX	\pm .005	MAT'L		REF	
		.XXXX	\pm .0005	FINISH		FMF HWADA	
NO.	REVISION	BY & DATE	CHK	ANG	±1/2-	PREV	
THIS DRAWING IN DESIGN AND DETAIL IS OUR PROPERTY AND MUST NOT BE USED EXCEPT IN CONNECTION WITH OUR WORK ALL RIGHTS OF DESIGN AND INVENTION ARE RESERVED THIS IS AN ELECTRONICALLY GENERATED DOCUMENT - DO NOT SCALE THIS PRINT				RFP	CAD FILE	SS620291	SIZE B
				DIST		DRAWING NO.	SS620291
						REV.	

THREE PHASE - SINGLE VOLTAGE
MOTOR - CONDUIT BOX @ 'A'

TERMINAL BLOCK WHEN SPECIFIED

TO REVERSE ROTATION:
INTERCHANGE ANY TWO LINE
LEAD CONNECTIONS



VIEW OF TERMINAL END

OPTIONAL CORD CONNECTION

L1	WHITE
L2	RED
L3	BLACK

A-9806 DECAL

DRAWING REVISION AC	REVISION BY BS	REV DATE/© DATE 26/07/2022
REQUEST NUMBER CR-0010402	APPROVED BY SN	DATE 26/07/2022

PRIMARY DIMENSIONS ARE INCH
mm DIMENSIONS IN [BRACKETS]
ARE FOR REFERENCE ONLY

DRAWN BY DA
DATE 03-26-1993
APPROVED BY TB
DATE 03-26-1993
REFERENCE
THIRD ANGLE PROJECTION

		Regal Beloit America, Inc.	
DESCRIPTION CONNECTION DIAGRAM EXTERNAL - SINGLE VOLTAGE - 3Ø MOTOR			
MATERIAL		PROCESS/FINISH	
SIZE A	DRAWING NUMBER EE7300		SHEET 1 OF 1

REQUEST NUMBER DESCRIPTION
DRAWING UPDATED

COPYRIGHT (PER REVISION DATE) REGAL BELOIT AMERICA, INC. ALL RIGHTS RESERVED. PROPRIETARY AND CONFIDENTIAL INFORMATION - THIS DOCUMENT IS THE PROPERTY OF REGAL BELOIT AMERICA, INC. ("OWNER") AND CONTAINS OWNER'S PROPRIETARY INFORMATION. ANY PERSON, CORPORATION OR OTHER FIRM RECEIVING IT IS DEEMED, BY RECEIVING IT, TO AGREE THAT IT, AND/OR ANY PART OF IT, SHALL NOT BE DISCLOSED TO ANY PERSON, CORPORATION OR OTHER ENTITY, DUPLICATED, AND/OR USED, EXCEPT AS EXPRESSLY APPROVED IN WRITING IN ADVANCE BY OWNER. THIS DOCUMENT SHALL BE RETURNED TO OWNER UPON REQUEST. IT MAY BE SUBJECT TO CERTAIN RESTRICTIONS UNDER APPLICABLE EXPORT CONTROL LAWS AND REGULATIONS.

CERTIFICATION DATA SHEET

Model#: 213TTFC6005 BB **WINDING#:** CHT21320005 NONE 1
CONN. DIAGRAM: A-EE7300 **ASSEMBLY:** F1/F2 CAPABLE
OUTLINE: B-SS620291

TYPICAL MOTOR PERFORMANCE DATA

HP	KW	SYNC. RPM	F.L. RPM	FRAME	ENCLOSURE	KVA CODE	DESIGN
7 1/2	5.60	3600	3525	213T	TEFC	G	B

PH	Hz	VOLTS	FL AMPS	START TYPE	DUTY	INSL	S.F	AMB°C	ELEVATION
3	60	575	7.1	ACROSS THE LINE	CONTINUOUS	F7	1.15	40	3300

FULL LOAD EFF: 89.5	3/4 LOAD EFF: 89.5	1/2 LOAD EFF: 88.5	GTD. EFF	ELEC. TYPE	NO LOAD AMPS
FULL LOAD PF: 88	3/4 LOAD PF: 84	1/2 LOAD PF: 75.5	88.5	SQ CAGE IND RUN	2.4

F.L. TORQUE	LOCKED ROTOR AMPS	L.R. TORQUE	B.D. TORQUE	F.L. RISE°C
11.2 LB-FT	46.4	22.8 LB-FT 205	26.8 LB-FT 240	40

SOUND PRESSURE @ 3 FT.	SOUND POWER	ROTOR WK^2	MAX. WK^2	SAFE STALL TIME	STARTS /HOUR	APPROX. MOTOR WGT
72 dBA	82 dBA	0.32 LB-FT^2	12 LB-FT^2	20 SEC.	2	146 LBS.

***** SUPPLEMENTAL INFORMATION *****

DE BRACKET TYPE	ODE BRACKET TYPE	MOUNT TYPE	ORIENTATION	SEVERE DUTY	HAZARDOUS LOCATION	DRIP COVER	SCREENS	PAINT
STANDARD	STANDARD	RIGID	HORIZONTAL	FALSE	NONE	FALSE	NONE	BLUE (ENAMEL)

BEARINGS		GREASE	SHAFT TYPE	SPECIAL DE	SPECIAL ODE	SHAFT MATERIAL	FRAME MATERIAL
DE	OPE						
BALL	BALL	POLYREX EM	T	NONE	NONE	1045 HOT ROLLED (C-204)	CAST IRON
6307	6206						

THERMO-PROTECTORS				THERMISTORS	CONTROL	SPACE /n HEATERS
THERMOSTATS	PROTECTORS	WDG RTDs	BRG RTDs			
NONE	NOT	NONE	NONE	NONE	FALSE	NONE VOLTS

If Inverter equals NONE, contact factory for further information

*
N
O
T
E
S
*

INVERTER TORQUE: NONE
INV. HP SPEED RANGE: NONE
ENCODER: NONE
NONE NONE
NONE NONE PPR
BRAKE: NONE NONE
NONE P/N NONE
NONE NONE
NONE FT-LB NONE V NONE Hz

DATE: 06/22/2017 05:36:51 AM
 FORM 3531 REV.3 02/07/99
 ** Subject to change without notice.

Data Sheet

Date: 6/20/2017

213TFC6005

Customer: _____



Attention: _____

Submittal

Submitted by: FAREEDA DUDEKULA

Data @ 575 V

Motor Load Data

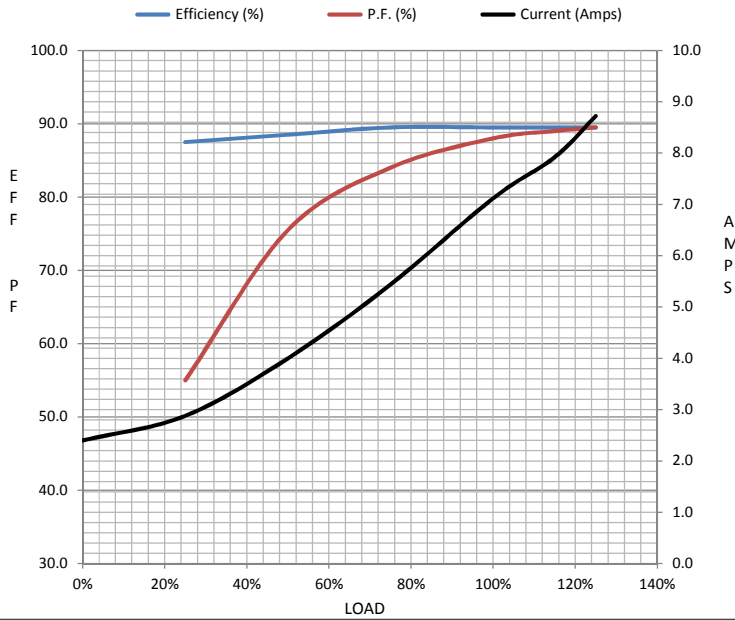
Load	0%	25%	50%	75%	100%	115%	125%	LR
Current (Amps)	2.40	2.88	4.0	5.4	7.1	7.9	8.7	46.4
Torque (ft-lb)	0.00	2.80	5.5	8.3	11.2	12.9	14.1	22.8
RPM	3600	3580	3555	3535	3525	3,510	3490	0
Efficiency (%)		87.5	88.5	89.5	89.5	89.5	89.5	
P.F. (%)	7.0	55.0	75.5	84.0	88.0	89.0	89.5	42.5

Motor Speed Data

	LR	Pull-Up	BD	Rated	Idle
Speed (RPM)	0	500	3040	3525	3600
Current (Amps)	46.4	45.6	29.6	7.1	2.40
Torque (ft-lb)	22.8	25.0	26.8	11.2	0.00

Information Block

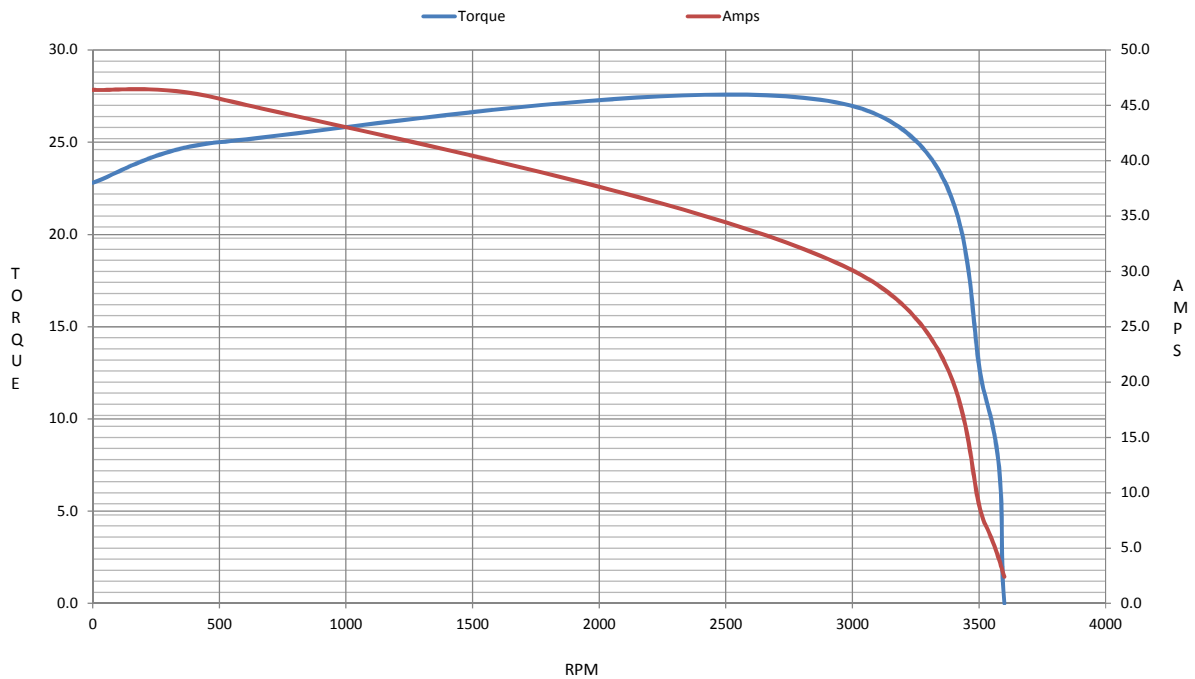
HP	7.5
Sync. RPM	3600
Frame	213
Enclosure	TEFC
Construction	TFC
Voltage	575 V
Frequency	60 Hz
Design	B
LR Code letter	G
Service Factor	1.15
Temp Rise @ FL	40 °C
Duty	CONT
Ambient	40 °C
Elevation	1,000 feet
Rotor/Shaft wk ²	0.32 Lb-Ft ²
Ref Wdg	CHT21320005 NONE
Sound Pressure @ 1M	72 dBA
VFD Rating	NONE
Outline Dwg	B-SS620291
Conn. Diag	A-EE7300



Additional Specifications:

EQUIV CKT (OHMS / PHASE)				
R1	R2	X1	X2	Xm
0.7680	0.6500	2.7760	2.5400	117.2390

Speed -Torque Curve



EC Declaration of Conformity

The undersigned representing
the manufacturer:

Regal Beloit America
100 East Randolph St.
Wausau, WI 54401

and the authorized representative
established within the Community:

Marathon Electric UK
6F Thistleton Road Ind. Estate
Market Overton
Oakham, Rutland LE15 7PP UK

are committed to providing customers with products that comply with applicable regulations and international protocols to which they are subject, including the requirements of the European Parliament Directive on the Harmonization of the laws relating to electrical equipment designed for use within certain voltage limits (2014/35/EU).

Regal Beloit America declares that the following product(s), to which this declaration relates, are in conformity with the relevant sections of the EC standards listed below.

This statement supersedes any statements previously issued pertaining to the product(s) listed below and is subject to change without notice.

Model No : 213TTFC6005

(Model No. may contain prefix and/or suffix characters)

Catalog No : GT1115

Rework No : N/A

Directives :

Low Voltage Directive 2014/35/EU

Harmonized Standards Used :

EN 60034-1: 2010 (IEC 60034-1: 2010)

EN 60034-5: 2001/A1:2007 (IEC 60034-5: 2000/A1:2006)

Authorized Representative:



Michael A. Logsdon
Vice President, Technology

Authorized Representative in the Community:



Julian Clark
Marketing Engineer

Created on 09/01/2022

CE 22