

PRODUCT INFORMATION PACKET

Model No: 143TTFR6032

Catalog No: GT1201

General Purpose Motor, 1 HP, 3 Ph, 60 Hz, 230/460 V, 1800 RPM, 143TC Frame, TEFC



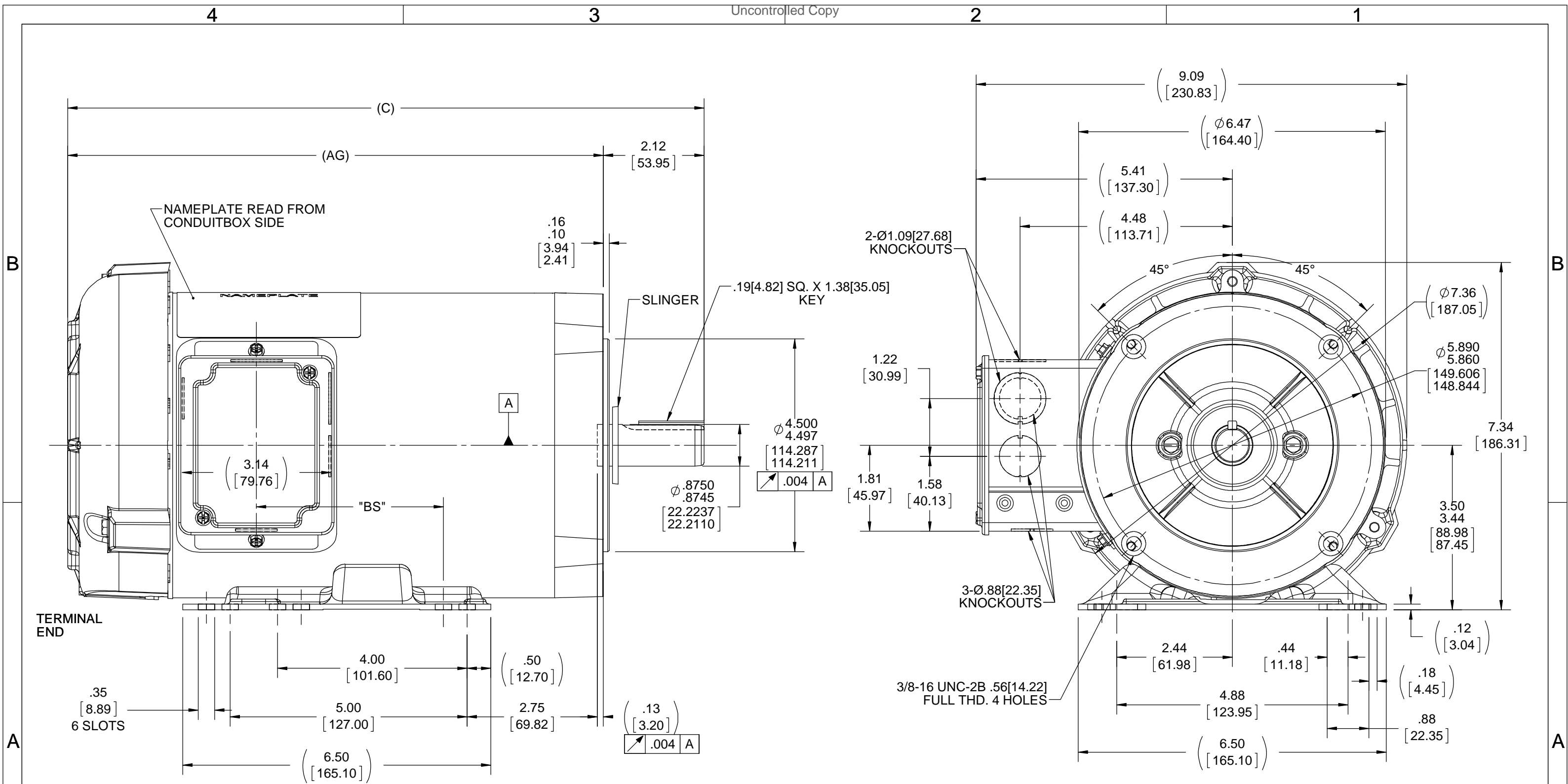
Regal and are trademarks of Regal Rexnord Corporation or one of its affiliated companies.
©2022 Regal Rexnord Corporation, All Rights Reserved. MC017097E

Nameplate Specifications

| | | | |
|------------------------|----------------------|----------------------------|------------------------------------|
| Output HP | 1 Hp | Output KW | 0.75 kW |
| Frequency | 60 Hz | Voltage | 230/460 V |
| Current | 3.3/1.7 A | Speed | 1765 rpm |
| Service Factor | 1.15 | Phase | 3 |
| Efficiency | 85.5 % | Power Factor | 68 |
| Duty | Continuous | Insulation Class | F |
| Design Code | B | KVA Code | P |
| Frame | 143TC | Enclosure | Totally Enclosed Fan Cooled |
| Thermal Protection | No Protection | Ambient Temperature | 40 °C |
| Drive End Bearing Size | 6205 | Opp Drive End Bearing Size | 6203 |
| UL | Recognized | CSA | Y |
| CE | Y | IP Code | 43 |
| Number of Speeds | 1 | | |

Technical Specifications

| | | | |
|-----------------------|------------------------------------|-----------------------|------------------------|
| Electrical Type | Squirrel Cage Induction Run | Starting Method | Across The Line |
| Poles | 4 | Rotation | Reversible |
| Resistance Main | 11.8 Ohms | Mounting | Rigid Base |
| Motor Orientation | Horizontal | Drive End Bearing | Ball |
| Opp Drive End Bearing | Ball | Frame Material | Rolled Steel |
| Shaft Type | T | Overall Length | 13.87 in |
| Frame Length | 8.56 in | Shaft Diameter | 0.875 in |
| Shaft Extension | 2.12 in | Assembly/Box Mounting | F1 ONLY |
| Connection Drawing | A-EE7308 | Outline Drawing | A-100106-856 |

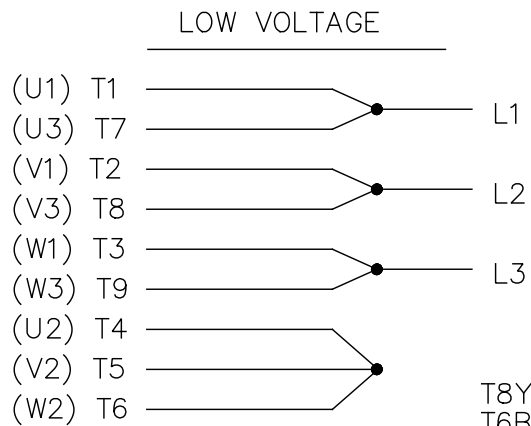


NOTE:
CONDUIT BOX CAN BE ROTATED IN 180° STEPS.

| DASH NO. | "C" | "AG" | "BS" | DRAWING REVISION | REVISION BY | DATE | TOLERANCES UNLESS OTHERWISE SPECIFIED: | DRAWN BY | REGAL™ Regal Beloit America, Inc. | | | |
|----------|---------------|---------------|--------------|-----------------------------------------------------------------------------------------------------------------------------------------------------------------------------------------------------------------------------------------------------------------------------------------------------------------------------------------------------------------------------------------------------------------------------------------------------------------------------------------------------------------------------------------------------------------------------------------------------------------------------------------------------------------------------------------------------------------------------|-------------|------------|------------------------------------------------------------------------------------------|--------------------|---------------------------------------------------------|-----------|--------------------------|-----------------|
| 706 | 12.42[315.46] | 10.30[261.62] | 2.95[74.93] | M | A. KEETHA | 01/19/2018 | DEC. ±0.1 [±2.5] ANGLE ±7° 30" | SMC | DESCRIPTION OUTLINE 140T FRAME-TEFC-C'FACE | | | |
| 756 | 12.92[328.16] | 10.80[274.32] | 3.45[87.63] | ECO-0143026 | PST | 04/11/2018 | .XX ±0.03 [±0.76] .XXX ±0.005 [±0.127] .XXX ±0.0005 [±0.0127] | DATE 09/22/1992 | | | | |
| 806 | 13.42[340.86] | 11.30[287.02] | 3.95[100.33] | ECO DESCRIPTION OUTLINE CONVERSION PROJECT COPYRIGHT REGAL BELOIT AMERICA, INC. ALL RIGHTS RESERVED. PROPRIETARY AND CONFIDENTIAL INFORMATION - THIS DOCUMENT IS THE PROPERTY OF REGAL BELOIT AMERICA, INC. ("OWNER") AND CONTAINS OWNER'S PROPRIETARY INFORMATION. ANY PERSON, CORPORATION OR OTHER FIRM RECEIVING IT IS DEEMED, BY RECEIVING IT, TO AGREE THAT IT, AND/OR ANY PART OF IT, SHALL NOT BE DISCLOSED TO ANY PERSON, CORPORATION OR OTHER ENTITY, DUPLICATED, AND/OR USED, EXCEPT AS EXPRESSLY APPROVED IN WRITING IN ADVANCE BY OWNER. THIS DOCUMENT SHALL BE RETURNED TO OWNER UPON REQUEST. IT MAY BE SUBJECT TO CERTAIN RESTRICTIONS UNDER APPLICABLE EXPORT CONTROL LAWS AND REGULATIONS. | | | REMOVE BURRS & BREAK SHARP EDGES: .003/.015 [.076/.381] X 45° CORNER FILLETS: R.02 [.51] | | APPROVED BY GEK | MATERIAL | PROCESS/FINISH | |
| 856 | 13.92[353.56] | 11.80[299.72] | 4.45[113.03] | | | | MACHINED SURFACES: 200 INCH/mm 5.1 | DATE 09/24/1992 | REFERENCE 100106 | SIZE B | DRAWING NUMBER 100106 | SHEET 1 OF 1 |
| 906 | 14.42[366.26] | 12.30[312.42] | 4.95[125.73] | | | | THIRD ANGLE PROJECTION | DATE | REFERENCE | SIZE | DRAWING NUMBER | SHEET |

EE7308

THREE PHASE
DUAL VOLTAGE MOTOR



VIEW OF TERMINAL END

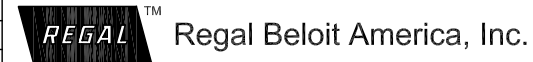
REF.
WINDING DIAGRAM

T8Y, T2Y, T2BL, T4BX, T2EC, T2G
T6BZ, T2B, T6BL, T4AV, T6B, T4B

OPTIONAL CORD
CONNECTION

L1 — WHITE
L2 — RED
L3 — BLACK

| NO. | REVISION | BY & DATE | CHK | ANG | TOLERANCES UNLESS SPECIFIED | | FINISH | DRAWN RM 11/20/1990 | | | | |
|----------------------------------------------------------------------------------------------------------------------------------------------------------------------------------------------------------------------------------|------------------------------------------------|----------------|-----|-------|--------------------------------|--------|---------|---------------------|--------|--------------------|-----------|--------|
| | | | | | DEC. | INCHES | | | | | | |
| 5 | CHG TO REGAL LOGO | SL 09/10/2015 | AB | | | | | CHK ML 11/21/1990 | | | | |
| 4 | REVISED IEC NOTATIONS | MSG 11/15/2011 | CMN | .X | ±.1 | | | APPD SAS 04/24/2003 | | | | |
| 3 | ADDED IEC NOTATIONS... (U1), (V1) ETC. MU95194 | MSG 5/10/2010 | MJS | .XX | ±.02 | | | SCALE 1=1 | | | | |
| 2 | ADDED THE OPTIONAL CORD CONNECTION MU46318 | RDH 04/24/2003 | DRS | .XXX | ±.005 | | | REF | | | | |
| 1 | REDRAWN | RM 11/20/1990 | | .XXXX | ±.0005 | | | FMF | | | | |
| | | | | | ±7'30" | | | PREV | | | | |
| THIS DRAWING IN DESIGN AND DETAIL IS OUR PROPERTY AND MUST NOT BE USED EXCEPT IN CONNECTION WITH OUR WORK ALL RIGHTS OF DESIGN AND INVENTION ARE RESERVED THIS IS AN ELECTRONICALLY GENERATED DOCUMENT - DO NOT SCALE THIS PRINT | | | | | | | RFP | CAD FILE ee7308 | SIZE A | DRAWING NO. EE7308 | PAGE OF 5 | REV. 5 |
| | | | | | | | DIST WP | | | | | |



TITLE CONNECTION DIAGRAM
3Ø - DUAL VOLTAGE MOTOR

CERTIFICATION DATA SHEET

Model#: 143TTFR6032 AA
CONN. DIAGRAM: A-EE7308
OUTLINE: A-100106-856

WINDING#: ZT4257 FR 3
ASSEMBLY: F1 ONLY

TYPICAL MOTOR PERFORMANCE DATA

| HP | KW | SYNC. RPM | F.L. RPM | FRAME | ENCLOSURE | KVA CODE | DESIGN |
|-------|---------|-----------|-----------|-------|-----------|----------|--------|
| 1&3/4 | .75&.56 | 1800 | 1765&1465 | 143TC | TEFC | P | B |

| PH | Hz | VOLTS | FL AMPS | START TYPE | DUTY | INSL | S.F | AMB°C | ELEVATION |
|----|-------|---------------------|-----------------------|--------------------|----------------|------|-----------|-------|-----------|
| 3 | 60/50 | 230/460#190/ 380 | 3.3/1.65&3.1/1 .55 | ACROSS THE LINE | CONTINUOU S | F3 | 1.15/1.15 | 40 | 3300 |

| FULL LOAD EFF: 85.5&84 | 3/4 LOAD EFF: 84 | 1/2 LOAD EFF: 81.5 | GTD. EFF | ELEC. TYPE | NO LOAD AMPS |
|---------------------------|-------------------|--------------------|----------|-----------------|--------------|
| FULL LOAD PF: 68&66 | 3/4 LOAD PF: 59.5 | 1/2 LOAD PF: 46.5 | 82.5 | SQ CAGE IND RUN | 2.3 / 1.2 |

| F.L. TORQUE | LOCKED ROTOR AMPS | L.R. TORQUE | B.D. TORQUE | F.L. RISE°C |
|-------------|-------------------|----------------|----------------|-------------|
| 3 LB-FT | 34 / 17 | 13.7 LB-FT 457 | 16.8 LB-FT 560 | 30 |

| SOUND PRESSURE @ 3 FT. | SOUND POWER | ROTOR WK^2 | MAX. WK^2 | SAFE STALL TIME | STARTS /HOUR | APPROX. MOTOR WGT |
|---------------------------|-------------|--------------|-----------|-----------------|-----------------|----------------------|
| 62 dBA | 72 dBA | 0.12 LB-FT^2 | 0 LB-FT^2 | 15 SEC. | 2 | 48 LBS. |

***** SUPPLEMENTAL INFORMATION *****

| DE BRACKET TYPE | ODE BRACKET TYPE | MOUNT TYPE | ORIENTATION | SEVERE DUTY | HAZARDOUS LOCATION | DRIP COVER | SCREENS | PAINT |
|--------------------|---------------------|---------------|-------------|----------------|-----------------------|---------------|---------|------------------|
| C-FACE | BRAKE | RIGID | HORIZONTAL | FALSE | NONE | FALSE | NONE | BLUE (POWDER) |

| BEARINGS | | GREASE | SHAFT TYPE | SPECIAL DE | SPECIAL ODE | SHAFT MATERIAL | FRAME MATERIAL |
|----------|------|------------|------------|------------|-------------|--------------------------------|-------------------|
| DE | OPE | | | | | | |
| BALL | BALL | POLYREX EM | T | NONE | NONE | 1144 STRESSPROOF (C-223) | ROLLED STEEL |
| 6205 | 6203 | | | | | | |

| THERMO-PROTECTORS | | | | THERMISTORS | CONTROL | SPACE /n HEATERS |
|-------------------|------------|----------|----------|-------------|---------|------------------|
| THERMOSTATS | PROTECTORS | WDG RTDs | BRG RTDs | | | |
| NONE | NOT | NONE | NONE | NONE | FALSE | NONE VOLTS |

If Inverter equals NONE, contact factory for further information

*
N
O
T
E
S
*

| |
|--------------------------------|
| INVERTER TORQUE: NONE |
| INV. HP SPEED RANGE: NONE |
| ENCODER: NONE |
| NONE NONE |
| NONE NONE PPR |
| BRAKE: PROVISIONS FOR KIT NONE |
| STEARNS P/N NONE |
| 56,000 NONE |
| 10 FT-LB NONE V NONE Hz |

DATE: 06/23/2017 12:31:38 AM
 FORM 3531 REV.3 02/07/99

** Subject to change without notice.

Data Sheet

Date: 12/12/2018
 Customer: _____
 Attention: _____
 Submitted by: FAREEDA DUDEKULA



143TTFR6032

Submittal

Data @ 460 V

Motor Load Data

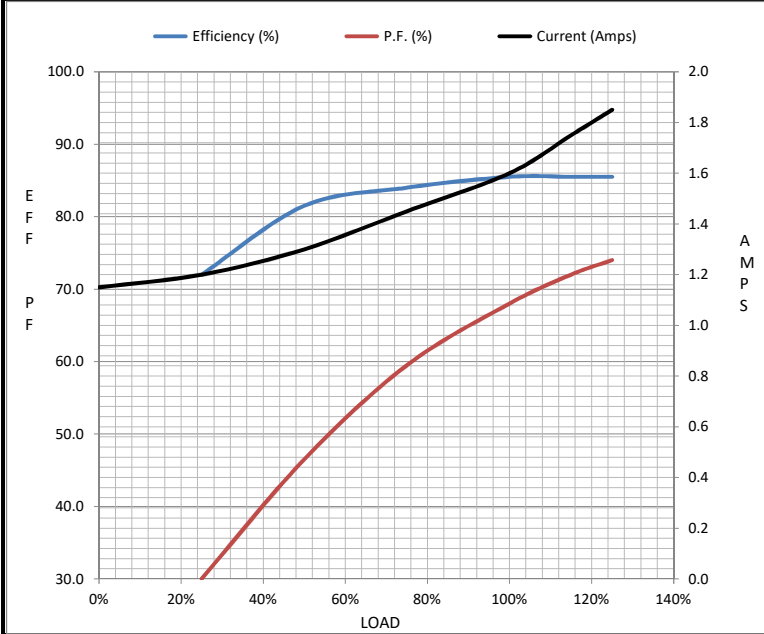
| Load | 0% | 25% | 50% | 75% | 100% | 115% | 125% | LR |
|----------------|------|------|------|------|------|-------|------|------|
| Current (Amps) | 1.15 | 1.20 | 1.30 | 1.45 | 1.60 | 1.75 | 1.85 | 17.0 |
| Torque (ft-lb) | 0.00 | 0.75 | 1.50 | 2.25 | 3.0 | 3.5 | 3.8 | 13.7 |
| RPM | 1800 | 1790 | 1785 | 1775 | 1765 | 1,760 | 1755 | 0 |
| Efficiency (%) | | 72.0 | 81.5 | 84.0 | 85.5 | 85.5 | 85.5 | |
| P.F. (%) | 7.5 | 30.0 | 46.5 | 59.5 | 68.0 | 72.0 | 74.0 | 69.5 |

Motor Speed Data

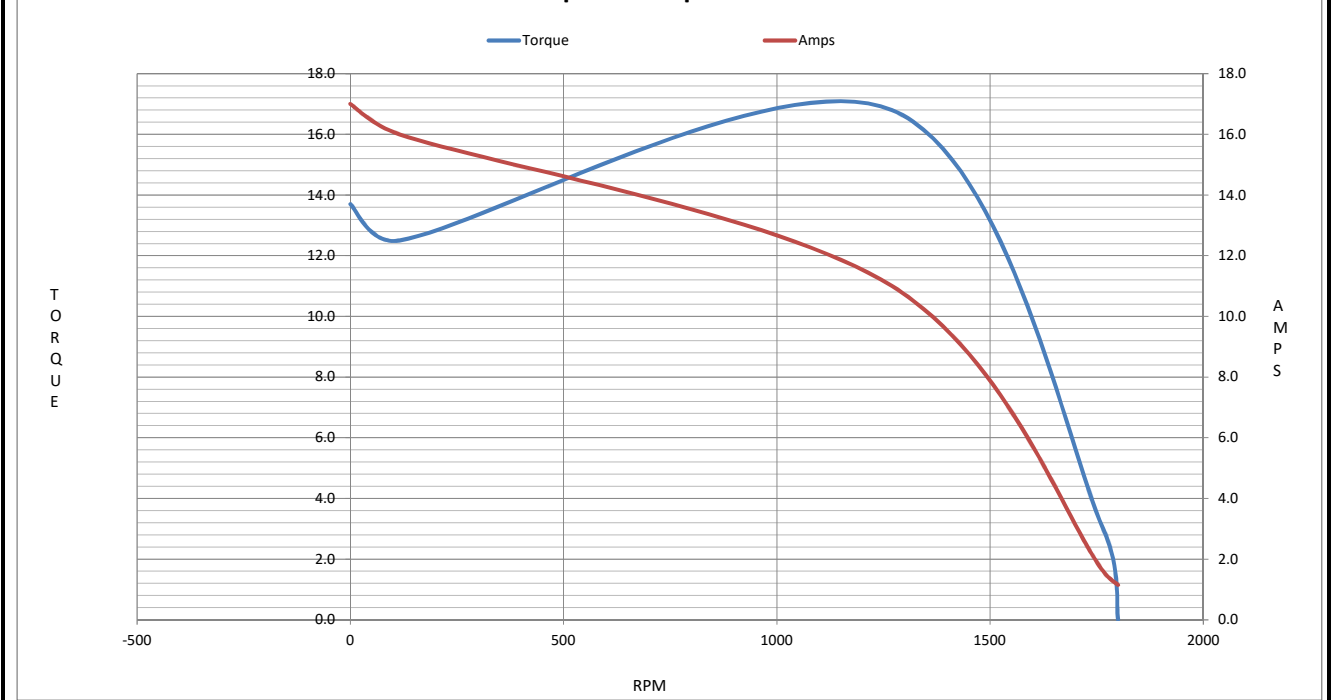
| | LR | Pull-Up | BD | Rated | Idle |
|----------------|------|---------|------|-------|------|
| Speed (RPM) | 0 | 115 | 1270 | 1765 | 1800 |
| Current (Amps) | 17.0 | 16.0 | 11.0 | 1.60 | 1.15 |
| Torque (ft-lb) | 13.7 | 12.5 | 16.8 | 3.0 | 0.00 |

Information Block

| | | | | |
|-----------------------------|-------------------------|--------|--------|---------|
| HP | 1.0 | | | |
| Sync. RPM | 1800 | | | |
| Frame | 143 | | | |
| Enclosure | TEFC | | | |
| Construction | TFR | | | |
| Voltage | 230/460#190/380 V | | | |
| Frequency | 60 Hz | | | |
| Design | A | | | |
| LR Code letter | P | | | |
| Service Factor | 1.15 | | | |
| Temp Rise @ FL | 30 °C | | | |
| Duty | CONT | | | |
| Ambient | 40 °C | | | |
| Elevation | 1,000 feet | | | |
| Rotor/Shaft wk ² | 0.12 Lb-Ft ² | | | |
| Ref Wdg | ZT4257 FR | | | |
| Sound Pressure @ 1M | 62 dBA | | | |
| VFD Rating | NONE | | | |
| Outline Dwg | A-100106-856 | | | |
| Conn. Diag | A-EE7308 | | | |
| Additional Specifications: | | | | |
| 0 | | | | |
| 0 | | | | |
| EQUIV CKT (OHMS / PHASE) | | | | |
| R1 | R2 | X1 | X2 | Xm |
| 2.4250 | 1.6020 | 3.1050 | 2.7720 | 75.8630 |



Speed - Torque Curve



EC Declaration of Conformity

The undersigned representing
the manufacturer:

Regal Beloit America
100 East Randolph St.
Wausau, WI 54401

and the authorized representative
established within the Community:

Marathon Electric UK
6F Thistleton Road Ind. Estate
Market Overton
Oakham, Rutland LE15 7PP UK

are committed to providing customers with products that comply with applicable regulations and international protocols to which they are subject, including the requirements of the European Parliament Directive on the Harmonization of the laws relating to electrical equipment designed for use within certain voltage limits (2014/35/EU).

Regal Beloit America declares that the following product(s), to which this declaration relates, are in conformity with the relevant sections of the EC standards listed below.

This statement supersedes any statements previously issued pertaining to the product(s) listed below and is subject to change without notice.

Model No : 143TTFR6032

(Model No. may contain prefix and/or suffix characters)

Catalog No : GT1201

Rework No : N/A

Directives :

Low Voltage Directive 2014/35/EU

Harmonized Standards Used :

EN 60034-1: 2010 (IEC 60034-1: 2010)

EN 60034-5: 2001/A1:2007 (IEC 60034-5: 2000/A1:2006)

Authorized Representative:



Michael A. Logsdon
Vice President, Technology

Authorized Representative in the Community:



Julian Clark
Marketing Engineer

Created on 09/01/2022

CE 22