

# PRODUCT INFORMATION PACKET

Model No: 145TTFBD6028

Catalog No: GT1204A

Globetrotter® General Purpose Motor, 1.50 HP, 3 Ph, 60 Hz, 230/460 V, 1800 RPM, 145TC Frame, TEFC



Regal and Marathon are trademarks of Regal Rexnord Corporation or one of its affiliated companies.  
©2023 Regal Rexnord Corporation, All Rights Reserved. MC017097E



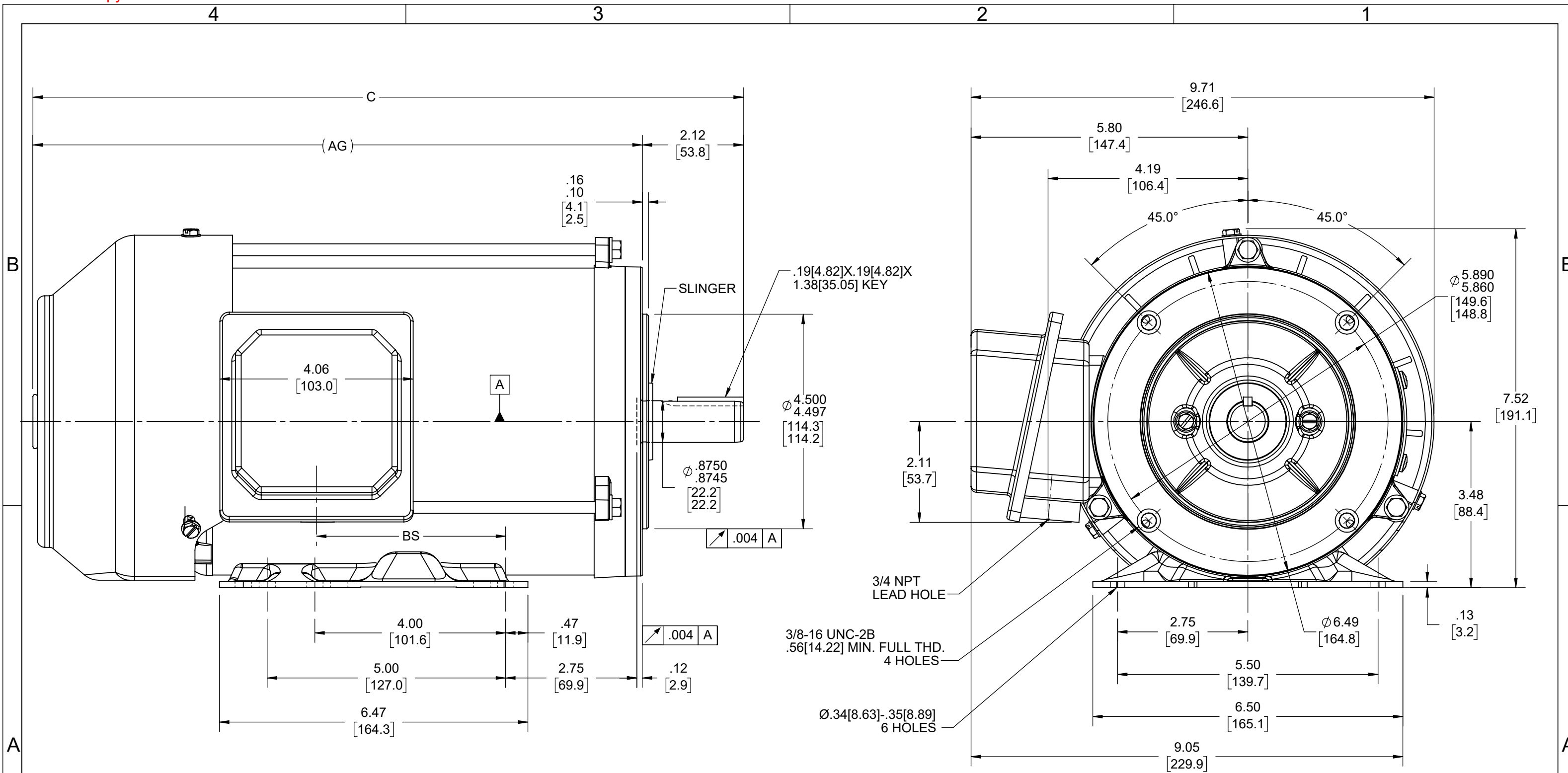
### Nameplate Specifications

Output HP	<b>1.50 Hp</b>	Output KW	<b>1.1 kW</b>
Frequency	<b>60 Hz</b>	Voltage	<b>230/460 V</b>
Current	<b>4.4/2.2 A</b>	Speed	<b>1750 rpm</b>
Service Factor	<b>1.15</b>	Phase	<b>3</b>
Efficiency	<b>86.5 %</b>	Power Factor	<b>76</b>
Duty	<b>Continuous</b>	Insulation Class	<b>F</b>
Design Code	<b>B</b>	KVA Code	<b>M</b>
Frame	<b>145TC</b>	Enclosure	<b>Totally Enclosed Fan Cooled</b>
Thermal Protection	<b>No Protection</b>	Ambient Temperature	<b>40 °C</b>
Drive End Bearing Size	<b>6205</b>	Opp Drive End Bearing Size	<b>6205</b>
UL	<b>Listed</b>	CSA	<b>Y</b>
CE	<b>Y</b>	IP Code	<b>43</b>
Hazardous Location	<b>DIVISION 2 T2B</b>	Number of Speeds	<b>1</b>

### Technical Specifications

Electrical Type	<b>Squirrel Cage Inverter Rated</b>	Starting Method	<b>Line Or Inverter</b>
Poles	<b>4</b>	Rotation	<b>Reversible</b>
Resistance Main	<b>9.75 Ohms</b>	Mounting	<b>Bolt-on Base</b>
Motor Orientation	<b>Horizontal</b>	Drive End Bearing	<b>Ball</b>
Opp Drive End Bearing	<b>Ball</b>	Frame Material	<b>Rolled Steel</b>
Shaft Type	<b>T</b>	Shaft Diameter	<b>0.875 in</b>
Assembly/Box Mounting	<b>F1/F2 CAPABLE</b>	Inverter Load	<b>CONSTANT 10:1/VARIABLE 10:1</b>
Connection Drawing	<b>EE7308</b>	Outline Drawing	<b>SS621063-800</b>

This is an uncontrolled document once printed or downloaded and is subject to change without notice. Date Created:01/27/2023



DASH NO	"C"	"AG"	"BS"
800	14.89	12.77	3.945
850	15.39	13.27	4.445

DRAWING REVISION D	REVISION BY GOPI J	REV DATE/© DATE 06/05/2022
REQUEST NUMBER CR-0008794	APPROVED BY GNK	DATE 06/05/2022
REQUEST NUMBER DESCRIPTION ADDED DASH # 850		
<small>COPYRIGHT (PER REVISION DATE) REGAL BELOIT AMERICA, INC. ALL RIGHTS RESERVED. PROPRIETARY AND CONFIDENTIAL INFORMATION - THIS DOCUMENT IS THE PROPERTY OF REGAL BELOIT AMERICA, INC. ("OWNER") AND CONTAINS OWNER'S PROPRIETARY INFORMATION. ANY PERSON, CORPORATION OR OTHER FIRM RECEIVING IT IS DEEMED, BY RECEIVING IT, TO AGREE THAT IT, AND/OR ANY PART OF IT, SHALL NOT BE DISCLOSED TO ANY PERSON, CORPORATION OR OTHER ENTITY, DUPLICATED, AND/OR USED, EXCEPT AS EXPRESSLY APPROVED IN WRITING IN ADVANCE BY OWNER. THIS DOCUMENT SHALL BE RETURNED TO OWNER UPON REQUEST. IT MAY BE SUBJECT TO CERTAIN RESTRICTIONS UNDER APPLICABLE EXPORT CONTROL LAWS AND REGULATIONS.</small>		

PRIMARY DIMENSIONS ARE INCH  
mm DIMENSIONS IN [BRACKETS]  
ARE FOR REFERENCE ONLY

DRAWN BY SAS	 Regal Beloit America, Inc.
DATE 09/04/2020	
APPROVED BY CD	DESCRIPTION <b>OUTLINE</b> 143/145TC FR-TEFC-RS
DATE 09/04/2020	MATERIAL
REFERENCE	PROCESS/FINISH
THIRD ANGLE PROJECTION	SIZE B
	DRAWING NUMBER <b>SS621063</b>
	SHEET 1 OF 1



NO.		REVISION		BY & DATE		CHK		ANG		FINISH		PREV	
5	CHG TO REGAL LOGO	SL	09/10/2015	AB									
4	REVISED IEC NOTATIONS	MSG	11/15/2011	CMN	.X	±.1							
3	ADDED IEC NOTATIONS... (U1), (V1) ETC. MU95194	MSG	5/10/2010	MJS	.XX	±.02							
2	ADDED THE OPTIONAL CORD CONNECTION MU46318	RDH	04/24/2003	DRS	.XXX	±.005							
1	REDRAWN	RM	11/20/1990		.XXXX	±.0005							
THIS DRAWING IN DESIGN AND DETAIL IS OUR PROPERTY AND MUST NOT BE USED EXCEPT IN CONNECTION WITH OUR WORK ALL RIGHTS OF DESIGN AND INVENTION ARE RESERVED THIS IS AN ELECTRONICALLY GENERATED DOCUMENT - DO NOT SCALE THIS PRINT		RFP											
		DIST	WP										
										CAD FILE	ee7308	SIZE	A
										DRAWING NO.	EE7308	PAGE	OF
													REV.
													5

**REGAL**™ Regal Beloit America, Inc.

DRAWN RM 11/20/1990  
 CHK ML 11/21/1990  
 APPD SAS 04/24/2003  
 SCALE 1=1  
 REF  
 FMF  
 PREV

TITLE CONNECTION DIAGRAM  
 3Ø - DUAL VOLTAGE MOTOR



P.O. BOX 8003  
WAUSAU, WI 54401-8003  
PH. 715-675-3311

DATA VOLTS: 460

**CERTIFICATION DATA SHEET**

CUSTOMER:  
ORDER #: \_\_\_\_\_  
CONN. DIAGRAM: A-EE7308  
OUTLINE: A-SS621063-800  
WINDING: HAT4007 FR 1  
SPEED: \_\_\_\_\_

CUSTOMER P.O. #: \_\_\_\_\_  
REFERENCE MODEL #: 145TTFBD6028  
CAT #: GT1204A  
CUSTOMER PART #: \_\_\_\_\_  
MOUNTING: F1/F2 CAPABLE  
FAN: 504205B

**TYPICAL MOTOR PERFORMANCE DATA**

HP	KW	SYNC RPM	FL RPM	FRAME	ENCLOSURE	TYPE	KVA CODE	DESIGN
1.5	1.1	1800	1750	145TC	TEFC	TFR	M	B

PH	HZ	VOLTS	AMPS	START TYPE	DUTY	INSL	S.F.	AMB	ELEV.
3	60/50	230/460#190/380	4.4/2.2&4/2	LINE OR INVERTER	CONT	F	1.15	40	3300

F.L. EFF	86.5	3/4 LD EFF	85.5	1/2 LD EFF	82.5	GTD EFF	ELECT. TYPE
F.L. PF	76.0	3/4 LD PF	67.0	1/2 LD PF	54.0	85.5	SQ CAGE INV RATED

F.L. TORQUE	LR AMPS @ 460 V	L.R. TORQUE	B.D. TORQUE	F.L. RISE (° C)
4.5 LB-FT	20.0	16.5 LB-FT 367%	19.0 LB-FT 422%	60

SOUND PRESSURE	SOUND	ROTOR WK <sup>2</sup>	MAX. LOAD WK <sup>2</sup>	SAFE STALL TIME	STARTS/HOUR	APROX.	MOTOR
62 dBA	71 dBA	0.11 LB-FT <sup>2</sup>	10 LB-FT <sup>2</sup>	15 SEC.	2	69	LB.

**\*\*\* SUPPLEMENTAL INFORMATION \*\*\***

DE BRACKET TYPE	ODE BRACKET TYPE	MOUNT TYPE	MOTOR ORIENTATION	SEVERE DUTY	HAZARDOUS LOCATION	DRIP COVER	SCREENS	PAINT
C-FACE	BRAKE	BOLT-ON	HORIZONTAL	NO	NONE	NO	NONE	BLUE (ENAMEL)

BEARINGS	GREASE	SHAFT TYPE	SPECIAL DE	SPECIAL ODE	SHAFT MATERIAL	FRAME MATERIAL
DE ODE BALL BALL 6205 6205	POLYREX EM	T	NONE	NONE	1045 HOT ROLLED (C-204)	ROLLED STEEL

THERMOSTATS	PROTECTORS	WDG RTD's	BRG RTD's	THERMISTORS	CONTROL	SPACE HEATERS
NONE	NOT	NONE	NONE	NONE	FALSE	NA

R1 (ohms/ph)	R2 (ohms/ph)	X1 (ohms/ph)	X2 (ohms/ph)	Xm (ohms/ph)	VIBRATION (in/sec)	FLOAT
5.865	4.162	8.136	7.568	202.444	0.150	ODE

* N O T E S *	INVERTER TORQUE: CONSTANT 10:1/VARIABLE 20:1 INV. HP SPEED RANGE: NONE					
	ENCODER: NONE NONE NONE NONE PPR					
	BRAKE: STEARNS 56,000 NONE FT-LB: 10 VOLTAGE: NONE HZ:					
	UL: V - LI,ME-INS,CONST UL REC					
	PREPARED BY: _____ DATE: 7/26/2022					

FORM: 3531 REV\_4 2/27/06

## EC Declaration of Conformity

The undersigned representing  
the manufacturer:

Regal Beloit America  
100 East Randolph St.  
Wausau, WI 54401

and the authorized representative  
established within the Community:

Marathon Electric UK  
6F Thistleton Road Ind. Estate  
Market Overton  
Oakham, Rutland LE15 7PP UK

are committed to providing customers with products that comply with applicable regulations and international protocols to which they are subject, including the requirements of the European Parliament Directive on the Harmonization of the laws relating to electrical equipment designed for use within certain voltage limits (2014/35/EU).

Regal Beloit America declares that the following product(s), to which this declaration relates, are in conformity with the relevant sections of the EC standards listed below.

This statement supersedes any statements previously issued pertaining to the product(s) listed below and is subject to change without notice.

Model No : 145TTFB6028

(Model No. may contain prefix and/or suffix characters)

Catalog No : GT1204A

Rework No : N/A

Directives :

Low Voltage Directive 2014/35/EU

Harmonized Standards Used :

EN 60034-1: 2010 (IEC 60034-1: 2010)

EN 60034-5: 2001/A1:2007 (IEC 60034-5: 2000/A1:2006)

Authorized Representative:



Michael A. Logsdon  
Vice President, Technology

Authorized Representative in the Community:



Julian Clark  
Marketing Engineer

Created on 09/01/2022

**CE 22**