

PRODUCT INFORMATION PACKET

Model No: 145TTFBD16028

Catalog No: GT1207A

Globetrotter® General Purpose Motor, 2 HP, 3 Ph, 60 Hz, 208-230/460 V, 1800 RPM, 145TC Frame, TEFC



Regal and Marathon are trademarks of Regal Rexnord Corporation or one of its affiliated companies.

©2022 Regal Rexnord Corporation, All Rights Reserved. MC017097E



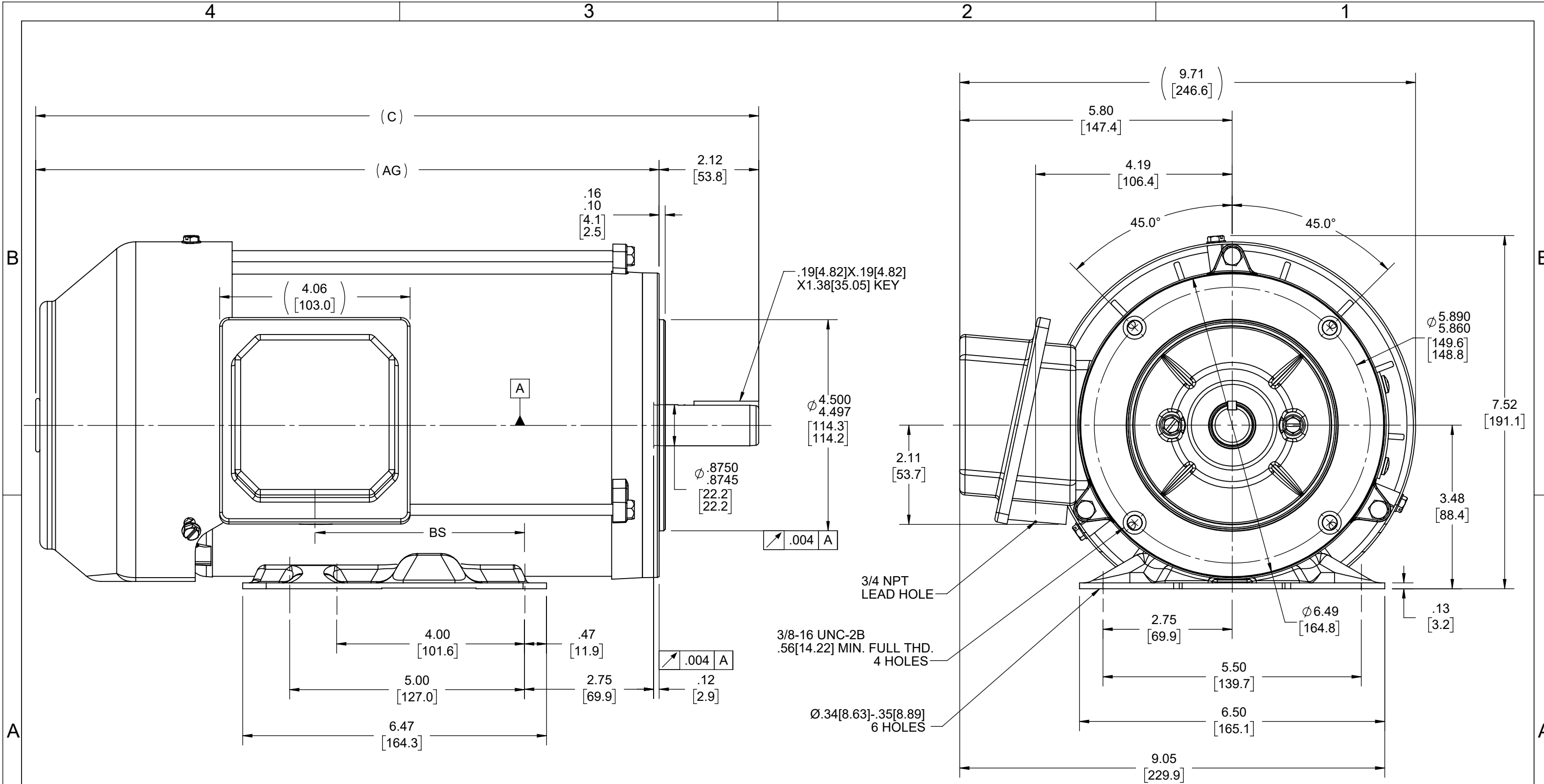
Nameplate Specifications

| | | | |
|------------------------|-----------------------|----------------------------|------------------------------------|
| Output HP | 2 Hp | Output KW | 1.5 kW |
| Frequency | 60 Hz | Voltage | 208-230/460 V |
| Current | 5.8-5.4/2.7 A | Speed | 1745 rpm |
| Service Factor | 1.15 | Phase | 3 |
| Efficiency | 86.5 % | Power Factor | 80 |
| Duty | Continuous | Insulation Class | F |
| Design Code | B | KVA Code | L |
| Frame | 145TC | Enclosure | Totally Enclosed Fan Cooled |
| Thermal Protection | No Protection | Ambient Temperature | 40 °C |
| Drive End Bearing Size | 6205 | Opp Drive End Bearing Size | 6205 |
| UL | Listed | CSA | Y |
| CE | Y | IP Code | 43 |
| Hazardous Location | DIVISION 2 T2B | Number of Speeds | 1 |

Technical Specifications

| | | | |
|-----------------------|-------------------------------------|-------------------|-----------------------------------|
| Electrical Type | Squirrel Cage Inverter Rated | Starting Method | Line Or Inverter |
| Poles | 4 | Rotation | Reversible |
| Resistance Main | 9.55 Ohms | Mounting | Bolt-on Base |
| Motor Orientation | Horizontal | Drive End Bearing | Ball |
| Opp Drive End Bearing | Ball | Frame Material | Rolled Steel |
| Shaft Type | T | Shaft Diameter | 0.875 in |
| Assembly/Box Mounting | F1/F2 CAPABLE | Inverter Load | CONSTANT 4:1/VARIABLE 10:1 |
| Connection Drawing | EE7308 | Outline Drawing | SS621052-850 |

This is an uncontrolled document once printed or downloaded and is subject to change without notice. Date Created:11/30/2022



| DASH NO | "C" | "AG" | "BS" |
|---------|------|-------|-------|
| 800 | 14.9 | 12.77 | 3.945 |
| 850 | 15.4 | 13.27 | 4.445 |
| 900 | 15.9 | 13.77 | 4.945 |

| | | |
|---|--------------------|-------------------------------|
| DRAWING REVISION F | REVISION BY JP | REV DATE/© DATE 20/01/2022 |
| ECO CR-0006436 | APPROVED BY GNK | DATE 20/01/2022 |
| ECO DESCRIPTION ADDED DASH# 900 | | |
| <small>COPYRIGHT (PER REVISION DATE) REGAL BELOIT AMERICA, INC. ALL RIGHTS RESERVED. PROPRIETARY AND CONFIDENTIAL INFORMATION - THIS DOCUMENT IS THE PROPERTY OF REGAL BELOIT AMERICA, INC. ("OWNER") AND CONTAINS OWNER'S PROPRIETARY INFORMATION. ANY PERSON, CORPORATION OR OTHER FIRM RECEIVING IT IS DEEMED, BY RECEIVING IT, TO AGREE THAT IT, AND/OR ANY PART OF IT, SHALL NOT BE DISCLOSED TO ANY PERSON, CORPORATION OR OTHER ENTITY, DUPLICATED, AND/OR USED, EXCEPT AS EXPRESSLY APPROVED IN WRITING IN ADVANCE BY OWNER. THIS DOCUMENT SHALL BE RETURNED TO OWNER UPON REQUEST. IT MAY BE SUBJECT TO CERTAIN RESTRICTIONS UNDER APPLICABLE EXPORT CONTROL LAWS AND REGULATIONS.</small> | | |

TOLERANCES (EXCEPT AS NOTED):
 DEC. INCH mm ANGLE
 .X ±0.1 [±3] ±7° 30"
 .XX ±0.03 [±0.8]
 .XXX ±0.005 [±0.13]
 .XXXX ±0.0005 [±0.013]
 REMOVE BURRS & BREAK SHARP EDGES: .003/.015 [.08/.38] X 45°
 CORNER FILLETS: R.02 [.5]
 MACHINED SURFACES: 200 \sqrt INCH \sqrt mm 5.1
 mm DIMENSIONS IN [BRACKETS] ARE FOR REFERENCE ONLY

| |
|------------------------|
| DRAWN BY SAS |
| DATE 08/20/20 |
| APPROVED BY CD |
| DATE 08/20/20 |
| REFERENCE |
| THIRD ANGLE PROJECTION |

REGAL Regal Beloit America, Inc.

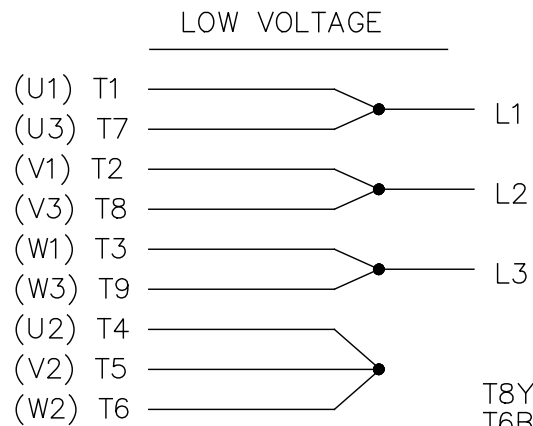
DESCRIPTION
OUTLINE
143/145TC FR-TEFC-RS

MATERIAL PROCESS/FINISH

SIZE **B** DRAWING NUMBER **SS621052** SHEET 1 OF 1

EE7308

THREE PHASE
DUAL VOLTAGE MOTOR



VIEW OF TERMINAL END

REF.
WINDING DIAGRAM

T8Y, T2Y, T2BL, T4BX, T2EC, T2G
T6BZ, T2B, T6BL, T4AV, T6B, T4B

OPTIONAL CORD
CONNECTION

L1 — WHITE
L2 — RED
L3 — BLACK

| NO. | REVISION | BY & DATE | CHK | ANG | TOLERANCES UNLESS SPECIFIED | | FINISH | DRAWN RM 11/20/1990 | | | | |
|--|--|----------------|-----|-------|--------------------------------|--------|---|---------------------|--------|--------------------|-----------|--------|
| | | | | | DEC. | INCHES | | | | | | |
| 5 | CHG TO REGAL LOGO | SL 09/10/2015 | AB | | | | | CHK ML 11/21/1990 | | | | |
| 4 | REVISED IEC NOTATIONS | MSG 11/15/2011 | CMN | .X | ±.1 | | | APPD SAS 04/24/2003 | | | | |
| 3 | ADDED IEC NOTATIONS... (U1), (V1) ETC. MU95194 | MSG 5/10/2010 | MJS | .XX | ±.02 | | | SCALE 1=1 | | | | |
| 2 | ADDED THE OPTIONAL CORD CONNECTION MU46318 | RDH 04/24/2003 | DRS | .XXX | ±.005 | | TITLE CONNECTION DIAGRAM 3Ø - DUAL VOLTAGE MOTOR | REF | | | | |
| 1 | REDRAWN | RM 11/20/1990 | | .XXXX | ±.0005 | | MAT'L. | FMF | | | | |
| | | | | | ±7'30" | | | PREV | | | | |
| THIS DRAWING IN DESIGN AND DETAIL IS OUR PROPERTY AND MUST NOT BE USED EXCEPT IN CONNECTION WITH OUR WORK ALL RIGHTS OF DESIGN AND INVENTION ARE RESERVED THIS IS AN ELECTRONICALLY GENERATED DOCUMENT - DO NOT SCALE THIS PRINT | | | | | | | RFP | CAD FILE ee7308 | SIZE A | DRAWING NO. EE7308 | PAGE OF 5 | REV. 5 |
| | | | | | | | DIST WP | | | | | |





P.O. BOX 8003
 WAUSAU, WI 54401-8003
 PH. 715-675-3311

DATA VOLTS: 460

CERTIFICATION DATA SHEET

CUSTOMER: _____
 ORDER #: _____
 CONN. DIAGRAM: A-EE7308
 OUTLINE: A-SS621052-850
 WINDING: HAT4009 NONE 1
 SPEED: _____

CUSTOMER P.O. #: _____
 REFERENCE MODEL #: 145TTFBD16028
 CAT #: GT1207A
 CUSTOMER PART #: _____
 MOUNTING: F1/F2 CAPABLE
 FAN: 504205B

TYPICAL MOTOR PERFORMANCE DATA

| HP | KW | SYNC RPM | FL RPM | FRAME | ENCLOSURE | TYPE | KVA CODE | DESIGN |
|----|-----|----------|--------|-------|-----------|------|----------|--------|
| 2 | 1.5 | 1800 | 1745 | 145TC | TEFC | TFR | M | B |

| PH | HZ | VOLTS | AMPS | START TYPE | DUTY | INSL | S.F. | AMB | ELEV. |
|----|-------|---------------------|---------------------|------------------|------|------|------|-----|-------|
| 3 | 60/50 | 208-230/460#190/380 | 5.8-5.4/2.7&5.2/2.6 | LINE OR INVERTER | CONT | F | 1.15 | 40 | 3300 |

| F.L. EFF | 86.5 | 3/4 LD EFF | 86.2 | 1/2 LD EFF | 84.2 | GTD EFF | ELECT. TYPE |
|----------|------|------------|------|------------|------|---------|-------------------|
| F.L. PF | 80.0 | 3/4 LD PF | 72.0 | 1/2 LD PF | 58.0 | 85.5 | SQ CAGE INV RATED |

| F.L. TORQUE | LR AMPS @ 460 V | L.R. TORQUE | B.D. TORQUE | F.L. RISE (° C) |
|-------------|-----------------|-------------|-------------|-----------------|
| 6.0 LB-FT | 24.0 | 21.3 LB-FT | 355% | 25.0 LB-FT 417% |

| SOUND PRESSURE | SOUND | ROTOR WK ² | MAX. LOAD WK ² | SAFE STALL TIME | STARTS/HOUR | APROX. | MOTOR |
|----------------|--------|-------------------------|---------------------------|-----------------|-------------|--------|-------|
| 62 dBA | 71 dBA | 0.12 LB-FT ² | 10 LB-FT ² | 10 SEC. | 2 | 48 LB. | |

***** SUPPLEMENTAL INFORMATION *****

| DE BRACKET TYPE | ODE BRACKET TYPE | MOUNT TYPE | MOTOR ORIENTATION | SEVERE DUTY | HAZARDOUS LOCATION | DRIP COVER | SCREENS | PAINT |
|-----------------|------------------|------------|-------------------|-------------|--------------------|------------|---------|----------------|
| C-FACE | BRAKE | BOLT-ON | HORIZONTAL | NO | NONE | NO | NONE | BLACK (ENAMEL) |

| BEARINGS | GREASE | SHAFT TYPE | SPECIAL DE | SPECIAL ODE | SHAFT MATERIAL | FRAME MATERIAL |
|----------------------------------|------------|------------|------------|-------------|-------------------------|----------------|
| DE ODE BALL BALL 6205 6205 | POLYREX EM | T | NONE | NONE | 1045 HOT ROLLED (C-204) | ROLLED STEEL |

| THERMOSTATS | PROTECTORS | WDG RTD's | BRG RTD's | THERMISTORS | CONTROL | SPACE HEATERS |
|-------------|------------|-----------|-----------|-------------|---------|---------------|
| NONE | NOT | NONE | NONE | NONE | FALSE | NA |

| R1 (ohms/ph) | R2 (ohms/ph) | X1 (ohms/ph) | X2 (ohms/ph) | Xm (ohms/ph) | VIBRATION (in/sec) | FLOAT |
|--------------|--------------|--------------|--------------|--------------|--------------------|-------|
| 6.332 | 4.574 | 7.749 | 7.182 | 193.725 | 0.150 | ODE |

| | | |
|---------------------------------|--|--|
| * N O T E S * | INVERTER TORQUE: CONSTANT 4:1 INV. HP SPEED RANGE: NONE | |
| | ENCODER: NONE | |
| | NONE | |
| | NONE PPR | |
| | BRAKE: STEARNS | |

| | | |
|--------------------------|--|------|
| PREPARED BY: _____ | 56,000 | NONE |
| DATE: 7/26/2022 | FT-LB: 10 | |
| | VOLTAGE: NONE | HZ: |
| FORM: 3531 REV_4 2/27/06 | UL: V - LI,ME-INS,CONST UL REC & CUL REC | |

EC Declaration of Conformity

The undersigned representing
the manufacturer:

Regal Beloit America
100 East Randolph St.
Wausau, WI 54401

and the authorized representative
established within the Community:

Marathon Electric UK
6F Thistleton Road Ind. Estate
Market Overton
Oakham, Rutland LE15 7PP UK

are committed to providing customers with products that comply with applicable regulations and international protocols to which they are subject, including the requirements of the European Parliament Directive on the Harmonization of the laws relating to electrical equipment designed for use within certain voltage limits (2014/35/EU).

Regal Beloit America declares that the following product(s), to which this declaration relates, are in conformity with the relevant sections of the EC standards listed below.

This statement supersedes any statements previously issued pertaining to the product(s) listed below and is subject to change without notice.

Model No : 145TTFBFD16028

(Model No. may contain prefix and/or suffix characters)

Catalog No : GT1207A

Rework No : N/A

Directives :

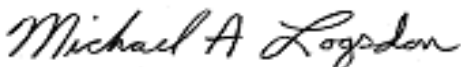
Low Voltage Directive 2014/35/EU

Harmonized Standards Used :

EN 60034-1: 2010 (IEC 60034-1: 2010)

EN 60034-5: 2001/A1:2007 (IEC 60034-5: 2000/A1:2006)

Authorized Representative:



Michael A. Logsdon
Vice President, Technology

Authorized Representative in the Community:



Julian Clark
Marketing Engineer

Created on 09/01/2022

CE 22