

PRODUCT INFORMATION PACKET

Model No: 145TTFBD6029

Catalog No: GT1304

Globetrotter® General Purpose Motor, 1.50 HP, 3 Ph, 60 Hz, 230/460 V, 1800 RPM, 145TC Frame, TEFC



Regal and Marathon are trademarks of Regal Rexnord Corporation or one of its affiliated companies.
©2022 Regal Rexnord Corporation, All Rights Reserved. MC017097E

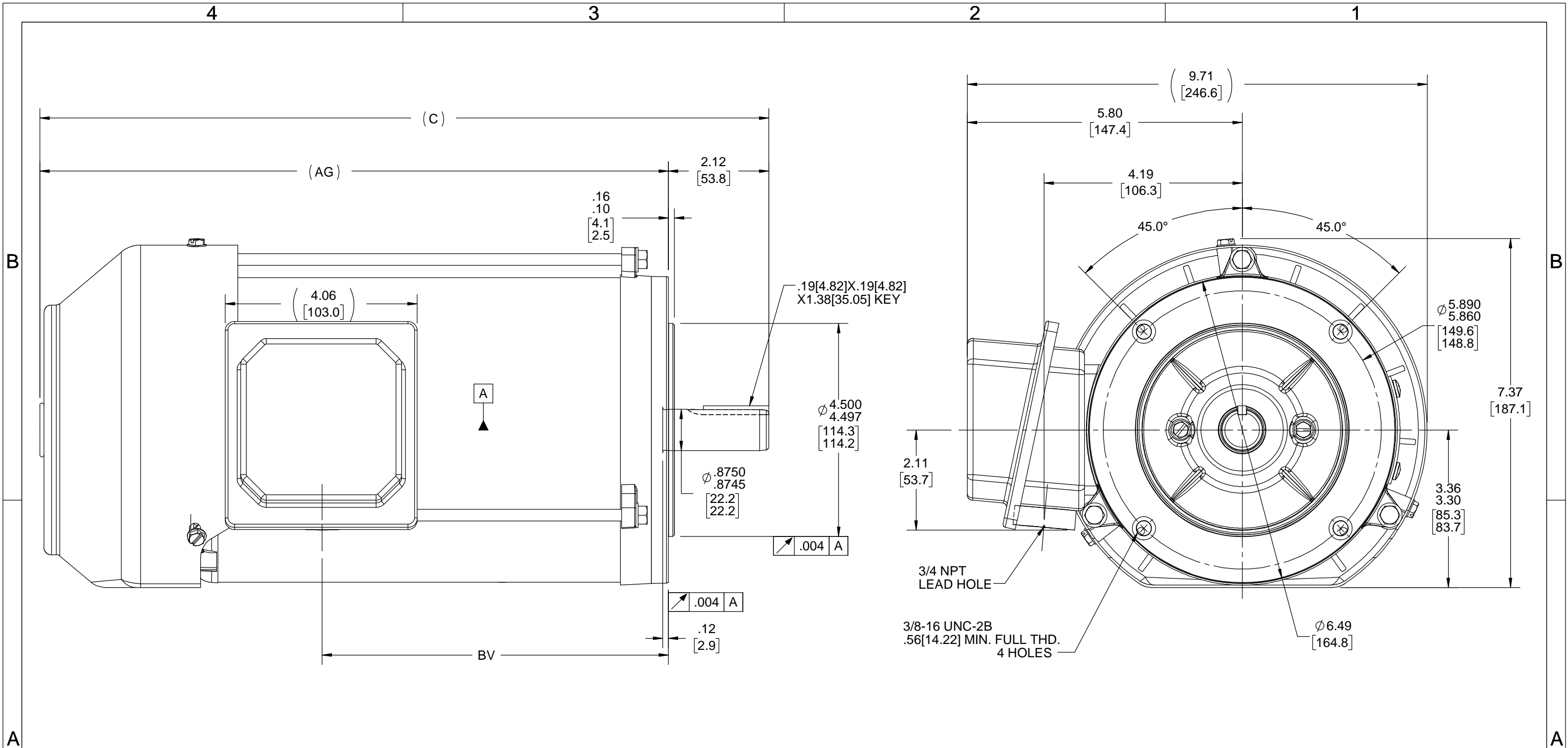
Nameplate Specifications

Output HP	1.50 Hp	Output KW	1.1 kW
Frequency	60 Hz	Voltage	230/460 V
Current	4.4/2.2 A	Speed	1750 rpm
Service Factor	1.15	Phase	3
Efficiency	86.5 %	Power Factor	76
Duty	Continuous	Insulation Class	F
Design Code	B	KVA Code	M
Frame	145TC	Enclosure	Totally Enclosed Fan Cooled
Thermal Protection	No Protection	Ambient Temperature	40 °C
Drive End Bearing Size	6205	Opp Drive End Bearing Size	6205
UL	Listed	CSA	Y
CE	Y	IP Code	43
Hazardous Location	DIVISION 2 T2B	Number of Speeds	1

Technical Specifications

Electrical Type	Squirrel Cage Inverter Rated	Starting Method	Line Or Inverter
Poles	4	Rotation	Reversible
Resistance Main	9.75 Ohms	Mounting	Round
Motor Orientation	Horizontal	Drive End Bearing	Ball
Opp Drive End Bearing	Ball	Frame Material	Rolled Steel
Shaft Type	T	Shaft Diameter	0.875 in
Assembly/Box Mounting	F1/F2 CAPABLE	Inverter Load	CONSTANT 10:1/VARIABLE 10:1
Outline Drawing	SS621055-800	Connection Drawing	EE7308

This is an uncontrolled document once printed or downloaded and is subject to change without notice. Date Created:11/30/2022



DASH NO	"C"	"AG"	"BV"
800	14.89	12.77	6.81
850	15.39	13.27	7.31
900	15.89	13.77	7.81

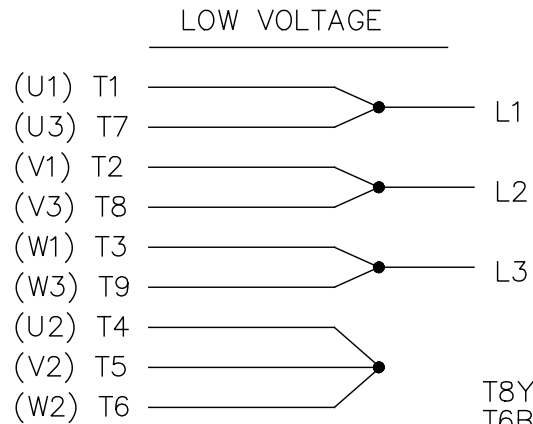
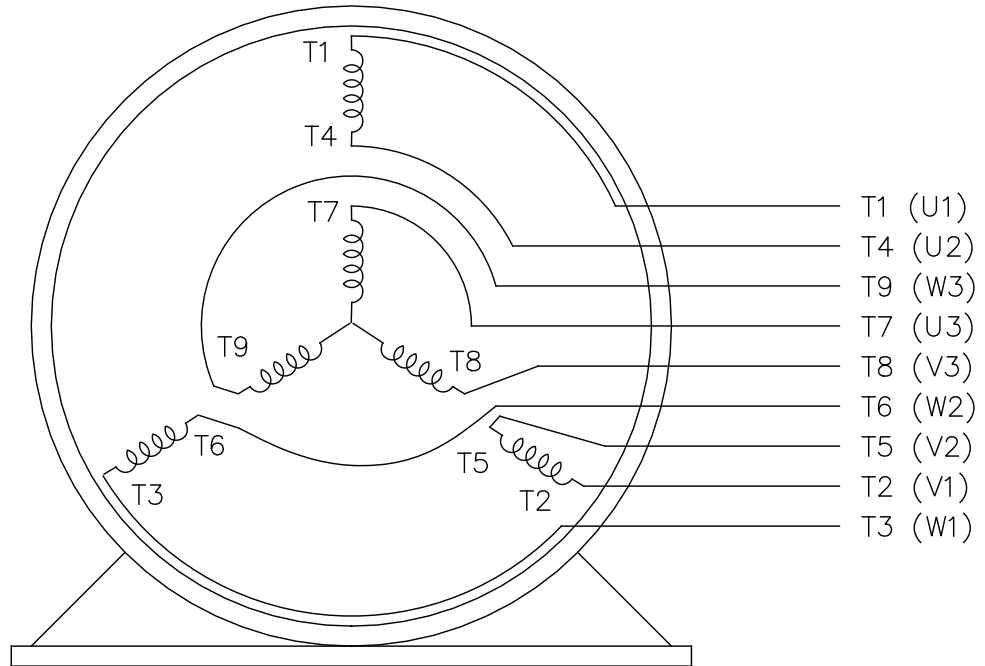
DRAWING REVISION	REVISION BY	REV DATE/© DATE
D	SAS	10/29/2020
ECO	APPROVED BY	DATE
ECO-0193875	CD	10/29/2020
ECO DESCRIPTION		
CHANGED AS PER REVISED SHAFT		
<small>COPYRIGHT (PER REVISION DATE) REGAL BELOIT AMERICA, INC. ALL RIGHTS RESERVED. PROPRIETARY AND CONFIDENTIAL INFORMATION - THIS DOCUMENT IS THE PROPERTY OF REGAL BELOIT AMERICA, INC. (OWNER) AND CONTAINS OWNER'S PROPRIETARY INFORMATION. ANY PERSON, CORPORATION OR OTHER FIRM RECEIVING IT IS DEEMED, BY RECEIVING IT, TO AGREE THAT IT, AND/OR ANY PART OF IT, SHALL NOT BE DISCLOSED TO ANY PERSON, CORPORATION OR OTHER ENTITY, DUPLICATED, AND/OR USED, EXCEPT AS EXPRESSLY APPROVED IN WRITING IN ADVANCE BY OWNER. THIS DOCUMENT SHALL BE RETURNED TO OWNER UPON REQUEST. IT MAY BE SUBJECT TO CERTAIN RESTRICTIONS UNDER APPLICABLE EXPORT CONTROL LAWS AND REGULATIONS.</small>		

TOLERANCES (EXCEPT AS NOTED):			
DEC.	INCH	mm	ANGLE
.X	± 0.1	[± 3]	$\pm 7' 30"$
.XX	± 0.03	[± 0.8]	
.XXX	± 0.005	[± 0.13]	
.XXXX	± 0.0005	[± 0.013]	
REMOVE BURRS & BREAK SHARP EDGES: $.003/.015$ [.08/.38] X 45°			
CORNER FILLETS: R.02 [5]			
MACHINED SURFACES: 200 $\sqrt{\text{mm}}$ 5.1 $\sqrt{\text{INCH}}$			
mm DIMENSIONS IN [BRACKETS] ARE FOR REFERENCE ONLY			

DRAWN BY		REGAL [®] Regal Beloit America, Inc.	
SAS		DESCRIPTION	
DATE	08/31/2020	OUTLINE	
APPROVED BY	CD	143/145TC FR-ROUND-TEFC-RS	
DATE	08/31/2020	MATERIAL	PROCESS/FINISH
REFERENCE		SIZE	DRAWING NUMBER
THIRD ANGLE PROJECTION		B	SS621055
			SHEET 1 OF 1

EE7308

THREE PHASE
DUAL VOLTAGE MOTOR



VIEW OF TERMINAL END

REF.
WINDING DIAGRAM

T8Y, T2Y, T2BL, T4BX, T2EC, T2G
T6BZ, T2B, T6BL, T4AV, T6B, T4B

OPTIONAL CORD
CONNECTION

L1 — WHITE
L2 — RED
L3 — BLACK

NO.	REVISION	BY & DATE	CHK	ANG	TOLERANCES UNLESS SPECIFIED		FINISH	DRAWN RM 11/20/1990				
					DEC.	INCHES						
5	CHG TO REGAL LOGO	SL 09/10/2015	AB					CHK ML 11/21/1990				
4	REVISED IEC NOTATIONS	MSG 11/15/2011	CMN	.X	±.1			APPD SAS 04/24/2003				
3	ADDED IEC NOTATIONS... (U1), (V1) ETC. MU95194	MSG 5/10/2010	MJS	.XX	±.02		TITLE CONNECTION DIAGRAM	SCALE 1=1				
2	ADDED THE OPTIONAL CORD CONNECTION MU46318	RDH 04/24/2003	DRS	.XXX	±.005		3Ø - DUAL VOLTAGE MOTOR	REF				
1	REDRAWN	RM 11/20/1990		.XXXX	±.0005		MAT'L.	FMF				
					±7'30"			PREV				
THIS DRAWING IN DESIGN AND DETAIL IS OUR PROPERTY AND MUST NOT BE USED EXCEPT IN CONNECTION WITH OUR WORK ALL RIGHTS OF DESIGN AND INVENTION ARE RESERVED THIS IS AN ELECTRONICALLY GENERATED DOCUMENT - DO NOT SCALE THIS PRINT							RFP	CAD FILE ee7308	SIZE A	DRAWING NO. EE7308	PAGE OF 5	REV. 5
							DIST WP					



Regal Beloit America, Inc.

EC Declaration of Conformity

The undersigned representing
the manufacturer:

Regal Beloit America
100 East Randolph St.
Wausau, WI 54401

and the authorized representative
established within the Community:

Marathon Electric UK
6F Thistleton Road Ind. Estate
Market Overton
Oakham, Rutland LE15 7PP UK

are committed to providing customers with products that comply with applicable regulations and international protocols to which they are subject, including the requirements of the European Parliament Directive on the Harmonization of the laws relating to electrical equipment designed for use within certain voltage limits (2014/35/EU).

Regal Beloit America declares that the following product(s), to which this declaration relates, are in conformity with the relevant sections of the EC standards listed below.

This statement supersedes any statements previously issued pertaining to the product(s) listed below and is subject to change without notice.

Model No : 145TTFB6029

(Model No. may contain prefix and/or suffix characters)

Catalog No : GT1304

Rework No : N/A

Directives :

Low Voltage Directive 2014/35/EU

Harmonized Standards Used :

EN 60034-1: 2010 (IEC 60034-1: 2010)

EN 60034-5: 2001/A1:2007 (IEC 60034-5: 2000/A1:2006)

Authorized Representative:



Michael A. Logsdon
Vice President, Technology

Authorized Representative in the Community:



Julian Clark
Marketing Engineer

Created on 09/01/2022

CE 22