

PRODUCT INFORMATION PACKET

Model No: 182TTFB6004

Catalog No: GT1309

General Purpose Motor, 3 HP, 3 Ph, 60 Hz, 230/460 V, 3600 RPM, 182TC Frame, TEFC



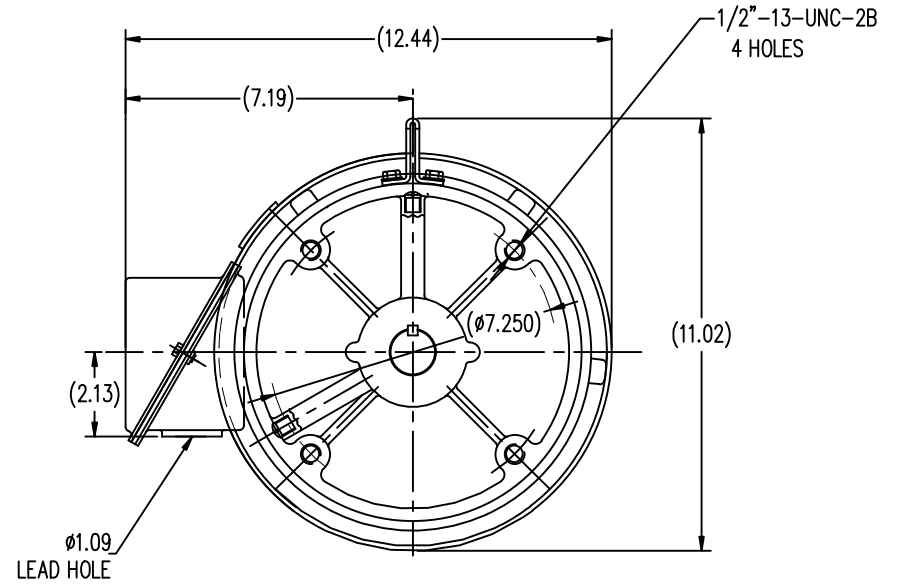
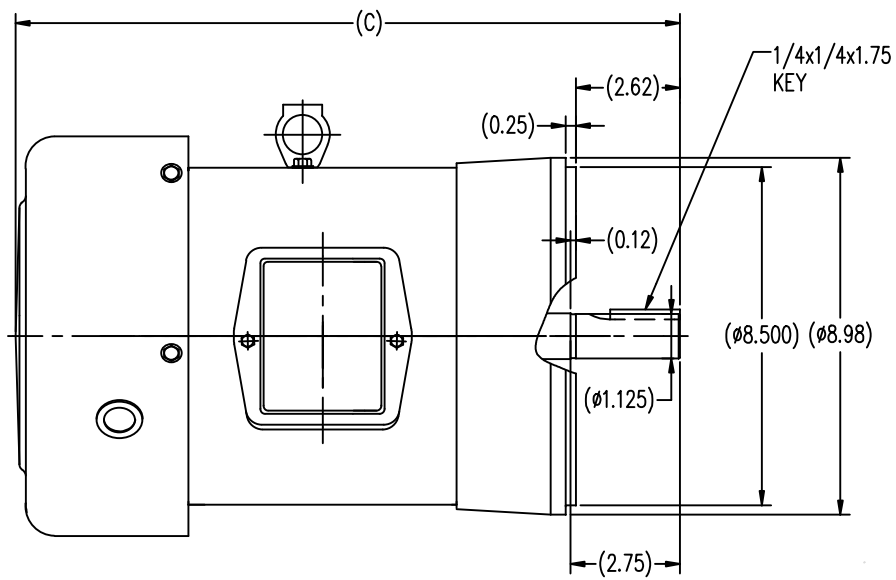
Regal and are trademarks of Regal Rexnord Corporation or one of its affiliated companies.
©2022 Regal Rexnord Corporation, All Rights Reserved. MC017097E

Nameplate Specifications

Output HP	3 Hp	Output KW	2.2 kW
Frequency	60 Hz	Voltage	230/460 V
Current	7.6/3.8 A	Speed	3532 rpm
Service Factor	1.15	Phase	3
Efficiency	86.5 %	Power Factor	87
Duty	Continuous	Insulation Class	F
Design Code	A	KVA Code	H
Frame	182TC	Enclosure	Totally Enclosed Fan Cooled
Thermal Protection	No Protection	Ambient Temperature	40 °C
Drive End Bearing Size	6206	Opp Drive End Bearing Size	6205
UL	Recognized	CSA	Y
CE	Y	IP Code	43
Number of Speeds	1		

Technical Specifications

Electrical Type	Squirrel Cage Induction Run	Starting Method	Across The Line
Poles	2	Rotation	Reversible
Resistance Main	3.45 Ohms	Mounting	Round
Motor Orientation	Horizontal	Drive End Bearing	Ball
Opp Drive End Bearing	Ball	Frame Material	Rolled Steel
Shaft Type	T	Overall Length	15.75 in
Shaft Diameter	1.125 in	Shaft Extension	2.62 in
Assembly/Box Mounting	F1/F2 CAPABLE		
Connection Drawing	A-EE7308	Outline Drawing	SS620307-182TC



TTFB 182TC	15.75
TTFB 184TC	16.73
FRAME	C

		TOLERANCES UNLESS SPECIFIED		REGAL-BELOIT CORPORATION		DRAWN SY 4-19-2010				
		DEC.	INCHES			CHK ZYH 4-19-2010				
		.X	±.1	TITLE		APPD CL 4-19-2010				
		.XX	±.03	OUTLINE		SCALE 1=4				
		.XXX	±.005	182/184TC-TTFB		REF				
		.XXXX	±.0005	MAT'L		FMF HWADA				
NO.	REVISION	BY & DATE	CHK	ANG	±1/2	FINISH	PREV			
THIS DRAWING IN DESIGN AND DETAIL IS OUR PROPERTY AND MUST NOT BE USED EXCEPT IN CONNECTION WITH OUR WORK ALL RIGHTS OF DESIGN AND INVENTION ARE RESERVED THIS IS AN ELECTRONICALLY GENERATED DOCUMENT - DO NOT SCALE THIS PRINT				RFP		CAD FILE	SS620307	SIZE	DRAWING NO.	REV.
			DIST					B	SS620307	

EE7308

THREE PHASE
DUAL VOLTAGE MOTOR



VIEW OF TERMINAL END

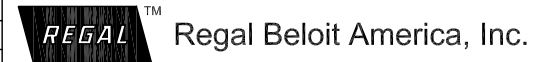
REF.
WINDING DIAGRAM

T8Y, T2Y, T2BL, T4BX, T2EC, T2G
T6BZ, T2B, T6BL, T4AV, T6B, T4B

OPTIONAL CORD
CONNECTION

L1 — WHITE
L2 — RED
L3 — BLACK

NO.		REVISION		BY & DATE		CHK		ANG		FINISH		PREV	
5	CHG TO REGAL LOGO	SL	09/10/2015	AB									
4	REVISED IEC NOTATIONS	MSG	11/15/2011	CMN	.X	±.1							
3	ADDED IEC NOTATIONS... (U1), (V1) ETC. MU95194	MSG	5/10/2010	MJS	.XX	±.02							
2	ADDED THE OPTIONAL CORD CONNECTION MU46318	RDH	04/24/2003	DRS	.XXX	±.005							
1	REDRAWN	RM	11/20/1990		.XXXX	±.0005							
THIS DRAWING IN DESIGN AND DETAIL IS OUR PROPERTY AND MUST NOT BE USED EXCEPT IN CONNECTION WITH OUR WORK ALL RIGHTS OF DESIGN AND INVENTION ARE RESERVED THIS IS AN ELECTRONICALLY GENERATED DOCUMENT - DO NOT SCALE THIS PRINT		RFP		CAD FILE	ee7308		SIZE	DRAWING NO.		PAGE	OF	REV.	
		DIST	WP	A	EE7308							5	



TITLE CONNECTION DIAGRAM
3Ø - DUAL VOLTAGE MOTOR

DRAWN	RM	11/20/1990
CHK	ML	11/21/1990
APPD	SAS	04/24/2003
SCALE	1=1	
REF		
FMF		
PREV		

CERTIFICATION DATA SHEET

Model#: 182TTFB6004 BB **WINDING#:** CHT18220005 NONE 1
CONN. DIAGRAM: A-EE7308 **ASSEMBLY:** F1/F2 CAPABLE
OUTLINE: B-SS620307

TYPICAL MOTOR PERFORMANCE DATA

HP	KW	SYNC. RPM	F.L. RPM	FRAME	ENCLOSURE	KVA CODE	DESIGN
3&2	2.24&1.49	3600	3532&2940	182TC	TEFC	H	A

PH	Hz	VOLTS	FL AMPS	START TYPE	DUTY	INSL	S.F	AMB°C	ELEVATION
3	60/50	230/460#190/ 380	7.6/3.8&6/3	ACROSS THE LINE	CONTINUOU S	F7	1.15/1.0	40	3300

FULL LOAD EFF: 86.5&85.5	3/4 LOAD EFF: 85.5	1/2 LOAD EFF: 84	GTD. EFF	ELEC. TYPE	NO LOAD AMPS
FULL LOAD PF: 86&84	3/4 LOAD PF: 81	1/2 LOAD PF: 71	85.5	SQ CAGE IND RUN	3.2 / 1.6

F.L. TORQUE	LOCKED ROTOR AMPS	L.R. TORQUE	B.D. TORQUE	F.L. RISE°C
4.5 LB-FT	50 / 25	8.1 LB-FT 180	13.8 LB-FT 307	55

SOUND PRESSURE @ 3 FT.	SOUND POWER	ROTOR WK^2	MAX. WK^2	SAFE STALL TIME	STARTS /HOUR	APPROX. MOTOR WGT
72 dBA	82 dBA	0.2 LB-FT^2	34 LB-FT^2	25 SEC.	2	70 LBS.

***** SUPPLEMENTAL INFORMATION *****

DE BRACKET TYPE	ODE BRACKET TYPE	MOUNT TYPE	ORIENTATION	SEVERE DUTY	HAZARDOUS LOCATION	DRIP COVER	SCREENS	PAINT
C-FACE	STANDARD	ROUND	HORIZONTAL	FALSE	NONE	FALSE	NONE	BLUE (ENAMEL)

BEARINGS		GREASE	SHAFT TYPE	SPECIAL DE	SPECIAL ODE	SHAFT MATERIAL	FRAME MATERIAL
DE	OPE						
BALL	BALL	POLYREX EM	T	NONE	NONE	1045 HOT ROLLED (C-204)	ROLLED STEEL
6206	6205						

THERMO-PROTECTORS				THERMISTORS	CONTROL	SPACE /n HEATERS
THERMOSTATS	PROTECTORS	WDG RTDs	BRG RTDs			
NONE	NOT	NONE	NONE	NONE	FALSE	NONE VOLTS

If Inverter equals NONE, contact factory for further information

*
N
O
T
E
S
*

INVERTER TORQUE: NONE
INV. HP SPEED RANGE: NONE
ENCODER: NONE
NONE NONE
NONE NONE PPR
BRAKE: NONE NONE
NONE P/N NONE
NONE NONE
NONE FT-LB NONE V NONE Hz

DATE: 06/27/2017 02:02:14 AM
 FORM 3531 REV.3 02/07/99
 ** Subject to change without notice.

Data Sheet

Date: 29-06-2017
 Customer: _____
 Attention: _____
 Submitted by: FAREEDA DUDEKULA



182TTFB6004

Submittal

Data @ 460 V

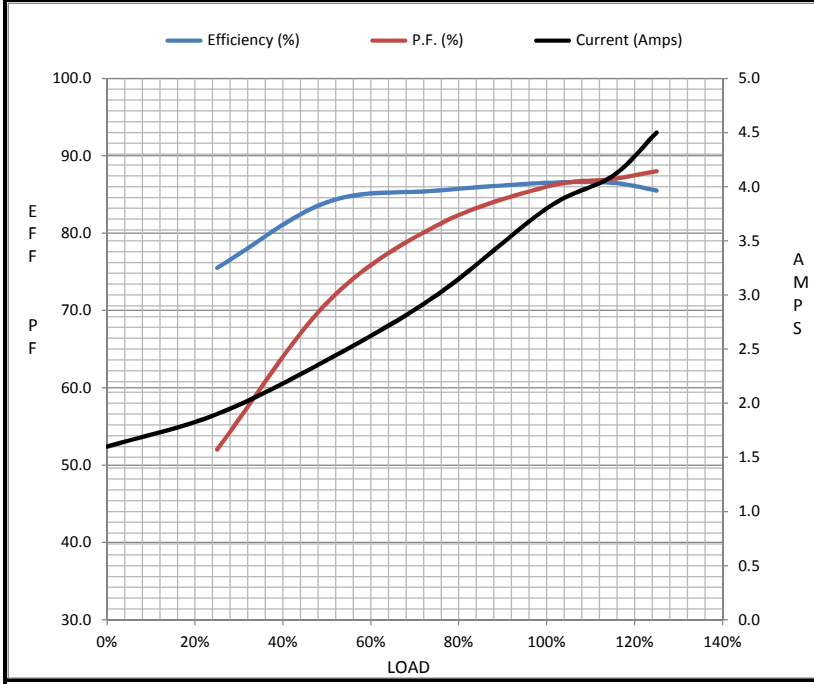
Motor Load Data

Load	0%	25%	50%	75%	100%	115%	125%	LR
Current (Amps)	1.60	1.90	2.40	3.0	3.8	4.1	4.5	25.0
Torque (ft-lb)	0.00	1.10	2.20	3.3	4.5	5.1	5.6	8.1
RPM	3600	3575	3555	3540	3532	3,520	3505	0
Efficiency (%)		75.5	84.0	85.5	86.5	86.5	85.5	
P.F. (%)	9.0	52.0	71.0	81.0	86.0	87.0	88.0	49.0

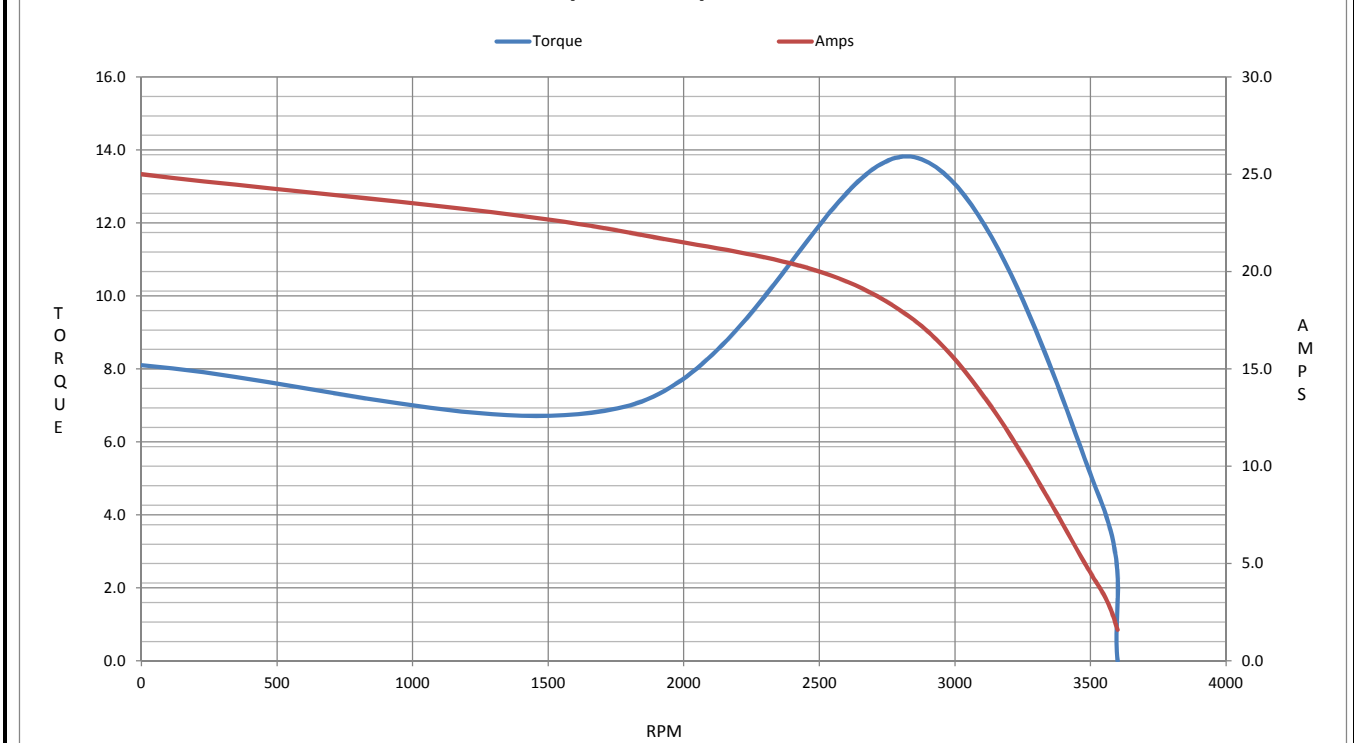
Motor Speed Data

	LR	Pull-Up	BD	Rated	Idle
Speed (RPM)	0	1800	2850	3532	3600
Current (Amps)	25.0	22.0	17.5	3.8	1.60
Torque (ft-lb)	8.1	7.0	13.8	4.5	0.00

Information Block				
HP	3.0			
Sync. RPM	3600			
Frame	182			
Enclosure	TEFC			
Construction	TFC			
Voltage	230/460#190/38(V)			
Frequency	60 Hz			
Design	B			
LR Code letter	L			
Service Factor	1.15			
Temp Rise @ FL	55 ° C			
Duty	CONT			
Ambient	40 ° C			
Elevation	1,000 feet			
Rotor/Shaft wk ²	0.20 Lb-Ft ²			
Ref Wdg	CHT18220005 NONE			
Sound Pressure @ 1M	72 dBA			
VFD Rating	NONE			
Outline Dwg	B-SS620307			
Conn. Diag	A-EE7308			
Additional Specifications:				
0				
365THFS8036				
EQUIV CKT (OHMS / PHASE)				
R1	R2	X1	X2	Xm
2.0810	1.4660	4.7300	2.1290	174.5370



Speed - Torque Curve



EC Declaration of Conformity

The undersigned representing
the manufacturer:

Regal Beloit America
100 East Randolph St.
Wausau, WI 54401

and the authorized representative
established within the Community:

Marathon Electric UK
6F Thistleton Road Ind. Estate
Market Overton
Oakham, Rutland LE15 7PP UK

are committed to providing customers with products that comply with applicable regulations and international protocols to which they are subject, including the requirements of the European Parliament Directive on the Harmonization of the laws relating to electrical equipment designed for use within certain voltage limits (2014/35/EU).

Regal Beloit America declares that the following product(s), to which this declaration relates, are in conformity with the relevant sections of the EC standards listed below.

This statement supersedes any statements previously issued pertaining to the product(s) listed below and is subject to change without notice.

Model No : 182TTFB6004

(Model No. may contain prefix and/or suffix characters)

Catalog No : GT1309

Rework No : N/A

Directives :

Low Voltage Directive 2014/35/EU

Harmonized Standards Used :

EN 60034-1: 2010 (IEC 60034-1: 2010)

EN 60034-5: 2001/A1:2007 (IEC 60034-5: 2000/A1:2006)

Authorized Representative:



Michael A. Logsdon
Vice President, Technology

Authorized Representative in the Community:



Julian Clark
Marketing Engineer

Created on 09/01/2022

CE 22