

# PRODUCT INFORMATION PACKET

Model No: 182TTFBD6029

Catalog No: GT1310A

General Purpose Motor, 3 HP, 3 Ph, 60 Hz, 230/460 V, 1800 RPM, 182TC Frame, TEFC



Regal and are trademarks of Regal Rexnord Corporation or one of its affiliated companies.  
©2022 Regal Rexnord Corporation, All Rights Reserved. MC017097E

**Nameplate Specifications**

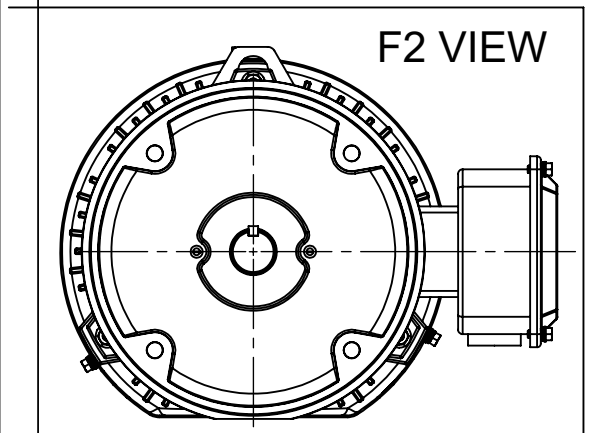
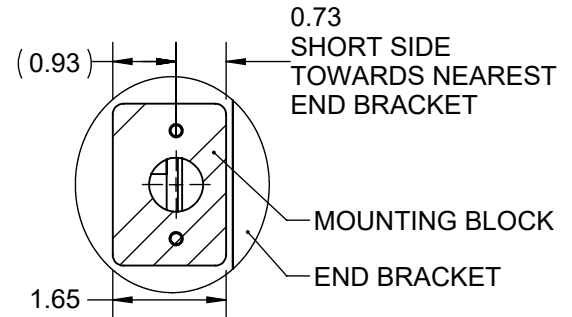
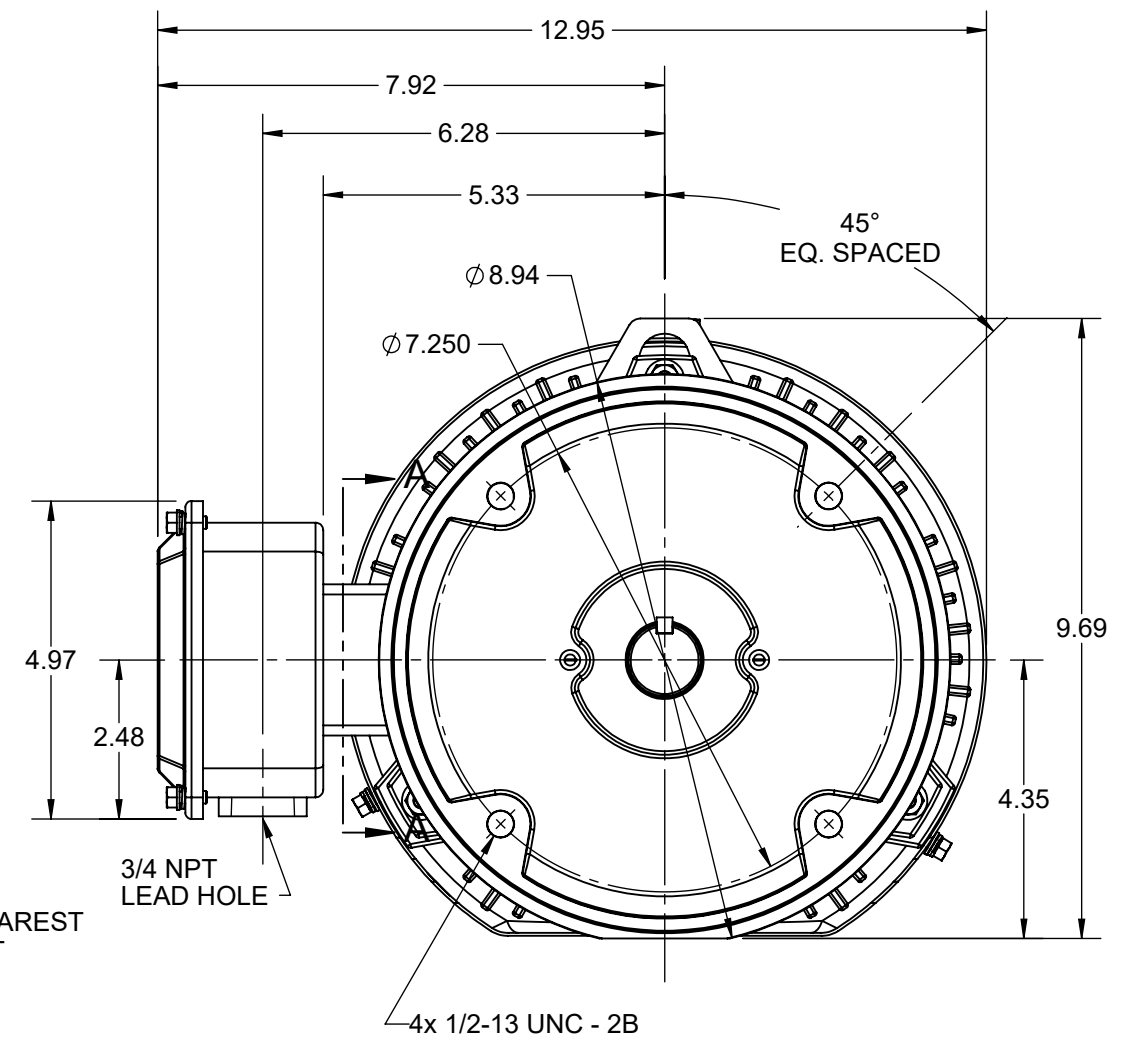
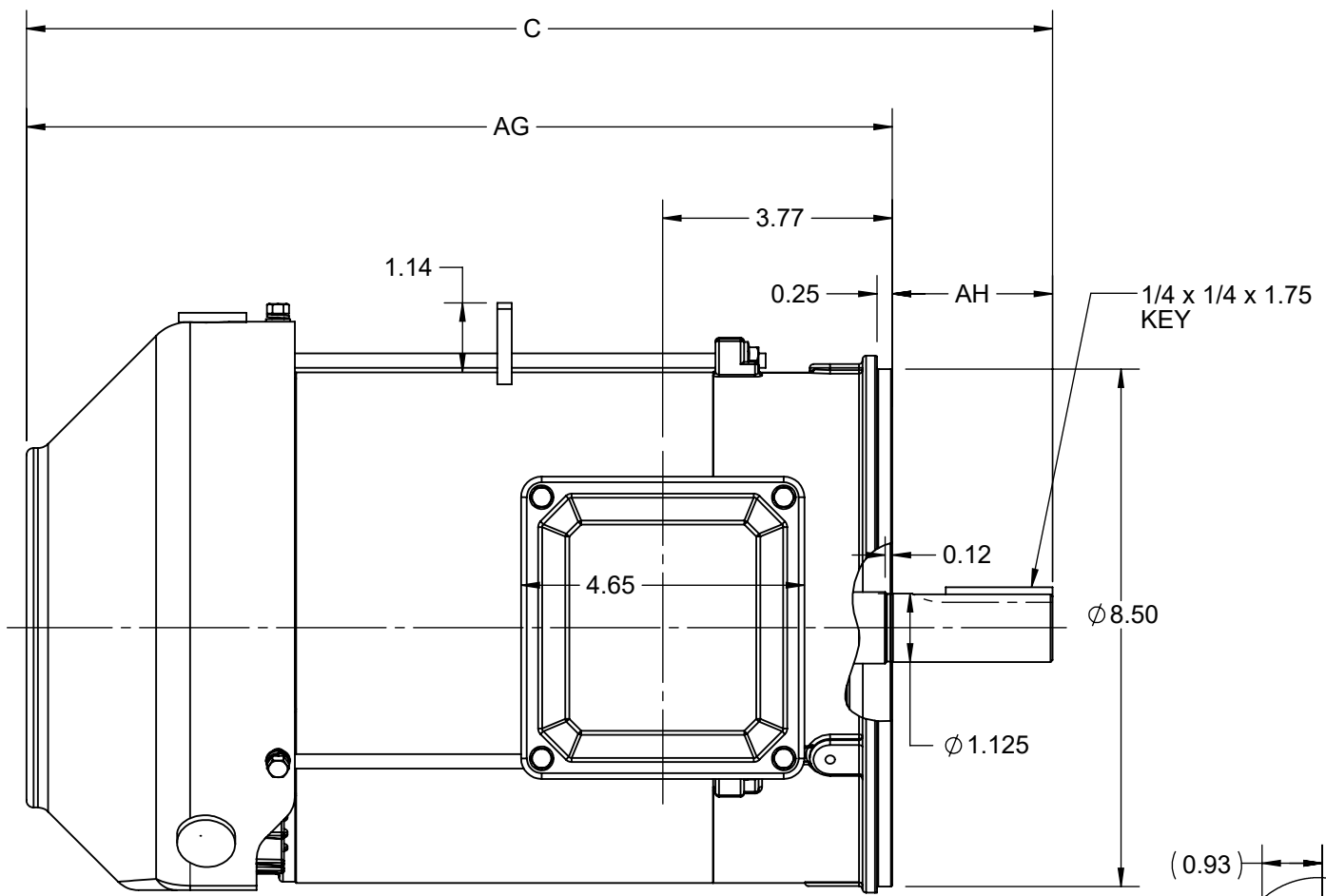
|                        |                       |                            |                                    |
|------------------------|-----------------------|----------------------------|------------------------------------|
| Output HP              | <b>3 Hp</b>           | Output KW                  | <b>2.2 kW</b>                      |
| Frequency              | <b>60 Hz</b>          | Voltage                    | <b>230/460 V</b>                   |
| Current                | <b>8.3/4.2 A</b>      | Speed                      | <b>1762 rpm</b>                    |
| Service Factor         | <b>1.15</b>           | Phase                      | <b>3</b>                           |
| Efficiency             | <b>89.5 %</b>         | Power Factor               | <b>78</b>                          |
| Duty                   | <b>Continuous</b>     | Insulation Class           | <b>F</b>                           |
| Design Code            | <b>A</b>              | KVA Code                   | <b>L</b>                           |
| Frame                  | <b>182TC</b>          | Enclosure                  | <b>Totally Enclosed Fan Cooled</b> |
| Thermal Protection     | <b>No Protection</b>  | Ambient Temperature        | <b>40 °C</b>                       |
| Drive End Bearing Size | <b>6206</b>           | Opp Drive End Bearing Size | <b>6205</b>                        |
| UL                     | <b>Listed</b>         | CSA                        | <b>Y</b>                           |
| CE                     | <b>Y</b>              | IP Code                    | <b>43</b>                          |
| Hazardous Location     | <b>DIVISION 2 T2B</b> | Number of Speeds           | <b>1</b>                           |

**Technical Specifications**

|                       |                                     |                       |                         |
|-----------------------|-------------------------------------|-----------------------|-------------------------|
| Electrical Type       | <b>Squirrel Cage Inverter Rated</b> | Starting Method       | <b>Line Or Inverter</b> |
| Poles                 | <b>4</b>                            | Rotation              | <b>Reversible</b>       |
| Resistance Main       | <b>3.85 Ohms</b>                    | Mounting              | <b>Round</b>            |
| Motor Orientation     | <b>Horizontal</b>                   | Drive End Bearing     | <b>Ball</b>             |
| Opp Drive End Bearing | <b>Ball</b>                         | Frame Material        | <b>Rolled Steel</b>     |
| Shaft Type            | <b>T</b>                            | Overall Length        | <b>15.85 in</b>         |
| Frame Length          | <b>5.85 in</b>                      | Shaft Diameter        | <b>1.125 in</b>         |
| Shaft Extension       | <b>2.75 in</b>                      | Assembly/Box Mounting | <b>F1/F2 CAPABLE</b>    |
| Inverter Load         | <b>CONSTANT 10:1/VARIABLE 10:1</b>  |                       |                         |
| Outline Drawing       | <b>SS600201-100</b>                 | Connection Drawing    | <b>EE7308</b>           |



| DASH NO. | C     | AG    | AH   | MOUNTING | FRAME |
|----------|-------|-------|------|----------|-------|
| 100      | 15.85 | 13.22 | 2.62 | F1 OR F2 | 182TC |
| 200      | 16.85 | 14.22 |      |          | 184TC |



|   |                      |                               |
|---|----------------------|-------------------------------|
| DRAWING REVISION<br>D   | REVISION BY<br>BISWA | REV DATE/© DATE<br>16/03/2021 |
| ECO<br>CR-0001658   | APPROVED BY<br>GNK   | DATE<br>19/03/2021            |
| ECO DESCRIPTION<br>Unsymmetrical mtg. bracket positional view added.  |                      |                               |
| <small>COPYRIGHT (PER REVISION DATE) REGAL BELOIT AMERICA, INC. ALL RIGHTS RESERVED. PROPRIETARY AND CONFIDENTIAL INFORMATION - THIS DOCUMENT IS THE PROPERTY OF REGAL BELOIT AMERICA, INC. ("OWNER") AND CONTAINS OWNER'S PROPRIETARY INFORMATION. ANY PERSON, CORPORATION OR OTHER FIRM RECEIVING IT IS DEEMED, BY RECEIVING IT, TO AGREE THAT IT, AND/OR ANY PART OF IT, SHALL NOT BE DISCLOSED TO ANY PERSON, CORPORATION OR OTHER ENTITY, DUPLICATED, AND/OR USED, EXCEPT AS EXPRESSLY APPROVED IN WRITING IN ADVANCE BY OWNER. THIS DOCUMENT SHALL BE RETURNED TO OWNER UPON REQUEST. IT MAY BE SUBJECT TO CERTAIN RESTRICTIONS UNDER APPLICABLE EXPORT CONTROL LAWS AND REGULATIONS.</small> |                      |                               |

PRIMARY DIMENSIONS ARE INCH  
mm DIMENSIONS IN [BRACKETS]  
ARE FOR REFERENCE ONLY

|                        |   |
|------------------------|---|
| DRAWN BY<br>PRIYA      | <b>REGAL</b> ® Regal Beloit America, Inc.                       |
| DATE<br>08/03/2018     |   |
| APPROVED BY<br>SBD     | DESCRIPTION<br><b>OUTLINE</b><br>182/184TC FR TEFC RS, FOOTLESS |
| DATE<br>08/03/2018     | MATERIAL  |
| REFERENCE              | PROCESS/FINISH  |
| THIRD ANGLE PROJECTION | SIZE<br><b>B</b>  |
|                        | DRAWING NUMBER<br><b>SS600201</b>                               |
|                        | SHEET<br>1 OF 1   |



| NO.  | REVISION                                       | BY & DATE      | CHK | ANG   | TOLERANCES UNLESS SPECIFIED |        | FINISH  | DRAWN RM 11/20/1990 |        |                    |           |        |
|--|--|----------------|-----|-------|-----------------------------|--------|---|---------------------|--------|--------------------|-----------|--------|
|  |  |                |     |       | DEC.                        | INCHES |   |                     |        |                    |           |        |
| 5  | CHG TO REGAL LOGO                              | SL 09/10/2015  | AB  |       |                             |        |   | CHK ML 11/21/1990   |        |                    |           |        |
| 4  | REVISED IEC NOTATIONS                          | MSG 11/15/2011 | CMN | .X    | ±.1                         |        |   | APPD SAS 04/24/2003 |        |                    |           |        |
| 3  | ADDED IEC NOTATIONS... (U1), (V1) ETC. MU95194 | MSG 5/10/2010  | MJS | .XX   | ±.02                        |        |   | SCALE 1=1           |        |                    |           |        |
| 2  | ADDED THE OPTIONAL CORD CONNECTION MU46318     | RDH 04/24/2003 | DRS | .XXX  | ±.005                       |        | TITLE CONNECTION DIAGRAM<br>3Ø - DUAL VOLTAGE MOTOR | REF                 |        |                    |           |        |
| 1  | REDRAWN  | RM 11/20/1990  |     | .XXXX | ±.0005                      |        | MAT'L.  | FMF                 |        |                    |           |        |
|  |  |                |     |       | ±7'30"                      |        |   | PREV                |        |                    |           |        |
| THIS DRAWING IN DESIGN AND DETAIL IS OUR PROPERTY AND MUST NOT BE USED EXCEPT IN CONNECTION WITH OUR WORK ALL RIGHTS OF DESIGN AND INVENTION ARE RESERVED THIS IS AN ELECTRONICALLY GENERATED DOCUMENT - DO NOT SCALE THIS PRINT |  |                |     |       |                             |        | RFP   | CAD FILE ee7308     | SIZE A | DRAWING NO. EE7308 | PAGE OF 5 | REV. 5 |
|  |  |                |     |       |                             |        | DIST WP   |                     |        |                    |           |        |



**P.O. BOX 8003  
WAUSAU, WI 54401-8003  
PH. 715-675-3311**

**CERTIFICATION DATA SHEET**

**CUSTOMER:**

**CUSTOMER PO#:**

**ORDER #:**

**MODEL #:** 182TTFBD6029 AA

**CONN. DIAGRAM:** EE7308

**CUSTOMER PART**

**#:**

**OUTLINE:** SS600201

**MOUNTING:** F1/F2 CAPABLE

**WINDING #:** HE31124021 3

**TYPICAL MOTOR PERFORMANCE DATA**

| HP  | kW        | SYNC. RPM | F.L. RPM  | FRAME | ENCLOSURE | KVA CODE | DESIGN |
|-----|-----------|-----------|-----------|-------|-----------|----------|--------|
| 3&2 | 2.24&1.49 | 1800      | 1762&1468 | 182TC | TEFC      | K        | B      |

| PH | Hz    | VOLTS           | AMPS        | START TYPE       | DUTY       | INSL | S.F.     | AMB°C |
|----|-------|-----------------|-------------|------------------|------------|------|----------|-------|
| 3  | 60/50 | 230/460&190/380 | 8/4&6.8/3.4 | LINE OR INVERTER | CONTINUOUS | F3   | 1.15/1.0 | 40    |

| FULL LOAD EFF: | 89.5&85.5 | 3/4 LOAD EFF: | 88.5 | 1/2 LOAD EFF: | 86.5 | GTD. EFF |  | ELEC. TYPE        |  |
|----------------|-----------|---------------|------|---------------|------|----------|--|-------------------|--|
| FULL LOAD PF:  | 78&75     | 3/4 LOAD PF:  | 70   | 1/2 LOAD PF:  | 57   | 88.5     |  | SQ CAGE INV RATED |  |

| F.L. TORQUE | LOCKED ROTOR AMPS | L.R. TORQUE    | B.D. TORQUE    | F.L. RISE°C |
|-------------|-------------------|----------------|----------------|-------------|
| 9 LB-FT     | 64 / 32           | 20 LB-FT 220 % | 29 LB-FT 320 % | 60          |

| SOUND PRESSURE @ 3 FT. | SOUND POWER | ROTOR WK^2 | MAX. WK^2 | SAFE STALL TIME | STARTS / HOUR | APPROX. MOTOR WGT |
|------------------------|-------------|------------|-----------|-----------------|---------------|-------------------|
| 50 dBA                 | 60 dBA      | - LB-FT^2  | - LB-FT^2 | 15 SEC.         | 2             | - LBS.            |

**\*\*\* SUPPLEMENTAL INFORMATION \*\*\***

| DE BRACKET TYPE | ODE BRACKET TYPE | MOUNT TYPE | ORIENTATION | SEVERE DUTY | HAZARDOUS LOCATION | DRIP COVER | SCREENS | PAINT         |
|-----------------|------------------|------------|-------------|-------------|--------------------|------------|---------|---------------|
| C-FACE          | STANDARD         | ROUND      | HORIZONTAL  | FALSE       | DIVISION 2 T2B     | FALSE      | NONE    | BLUE (ENAMEL) |

| BEARINGS |      | GREASE     | SHAFT TYPE | SPECIAL DE | SPECIAL ODE | SHAFT MATERIAL          | FRAME MATERIAL |
|----------|------|------------|------------|------------|-------------|-------------------------|----------------|
| DE       | ODE  |            |            |            |             |                         |                |
| BALL     | BALL | POLYREX EM | T          | NONE       | NONE        | 1045 HOT ROLLED (C-204) | ROLLED STEEL   |
| 6206     | 6205 |            |            |            |             |                         |                |

| THERMO-PROTECTORS |            |          |          | THERMISTORS | CONTROL | SPACE HEATERS |
|-------------------|------------|----------|----------|-------------|---------|---------------|
| THERMOSTATS       | PROTECTORS | WDG RTDs | BRG RTDs |             |         |               |
| NONE              | NOT        | NONE     | NONE     | NONE        | FALSE   | NONE VOLTS    |

\*  
N  
O  
T  
E  
S  
\*

|   |
|---|
| <b>INVERTER</b><br>TORQUE: CONSTANT 10:1/VARIABLE 10:1<br>INV. HP SPEED RANGE: NONE |
| <b>ENCODER:</b> NONE<br>NONE NONE<br>NONE NONE PPR                                  |
| <b>BRAKE:</b> NONE NONE<br>NONE P/N NONE<br>NONE NONE<br>NONE FT-LB NONE V NONE Hz  |

**PREPARED BY:** Fareeda Dudekula  
**DATE:** 05/28/2018 05:10:40 AM  
FORM 3531 REV.3 02/07/99  
\*\* Subject to change without notice.

**MARATHON ELECTRIC CORPORATION**

TYPICAL PERFORMANCE CURVE for AC MOTOR

Customer

Curve at

460

Volts

HP 3&2

PHASE 3

Model No 182TTFBD6029

60

HZ

VOLTS 230/460&190/380

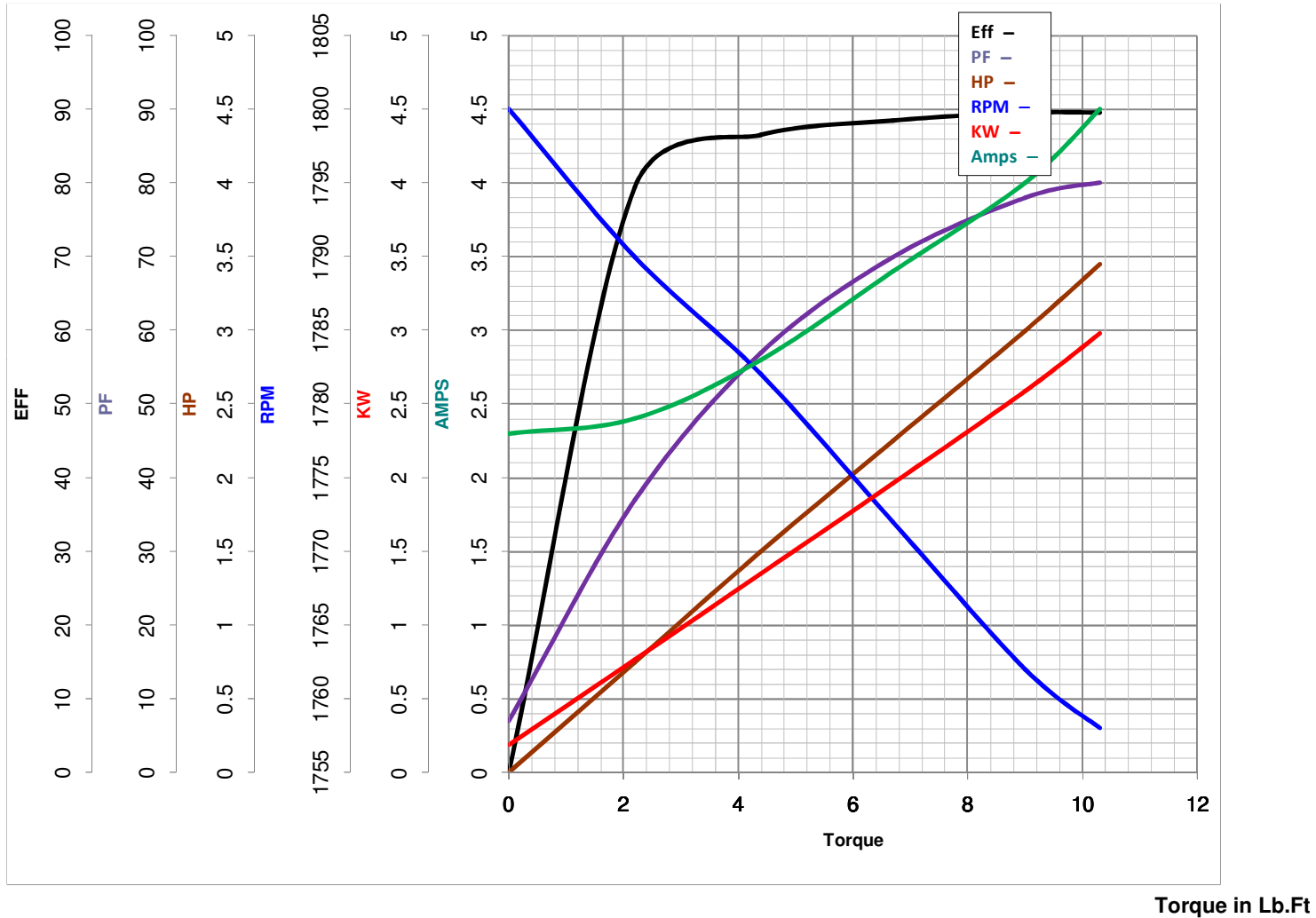
3

HP

Catalog No GT1310A

HZ 60&50

RPM 1762&1468



FL TORQUE 9 Lb.Ft  
 BD TORQUE 29.0 Lb.Ft  
 LR TORQUE 20 Lb.Ft

FL AMPS 4  
 PU TORQUE 17.0 Lb.Ft  
 LR AMPS 32

WINDING HE31124021-3 Prepared By FAREEDA

Date 5/28/2018

## EC Declaration of Conformity

The undersigned representing  
the manufacturer:

Regal Beloit America  
100 East Randolph St.  
Wausau, WI 54401

and the authorized representative  
established within the Community:

Marathon Electric UK  
6F Thistleton Road Ind. Estate  
Market Overton  
Oakham, Rutland LE15 7PP UK

are committed to providing customers with products that comply with applicable regulations and international protocols to which they are subject, including the requirements of the European Parliament Directive on the Harmonization of the laws relating to electrical equipment designed for use within certain voltage limits (2014/35/EU).

Regal Beloit America declares that the following product(s), to which this declaration relates, are in conformity with the relevant sections of the EC standards listed below.

This statement supersedes any statements previously issued pertaining to the product(s) listed below and is subject to change without notice.

Model No : 182TTFBD6029

(Model No. may contain prefix and/or suffix characters)

Catalog No : GT1310A

Rework No : N/A

Directives :

Low Voltage Directive 2014/35/EU

Harmonized Standards Used :

EN 60034-1: 2010 (IEC 60034-1: 2010)

EN 60034-5: 2001/A1:2007 (IEC 60034-5: 2000/A1:2006)

Authorized Representative:



Michael A. Logsdon  
Vice President, Technology

Authorized Representative in the Community:



Julian Clark  
Marketing Engineer

Created on 09/01/2022

**CE 22**