

PRODUCT INFORMATION PACKET

Model No: 145TTFBD6027

Catalog No: GT1504

Globetrotter® General Purpose Motor, 1.50 HP, 3 Ph, 60 Hz, 230/460 V, 1800 RPM, 145T Frame, TEFC



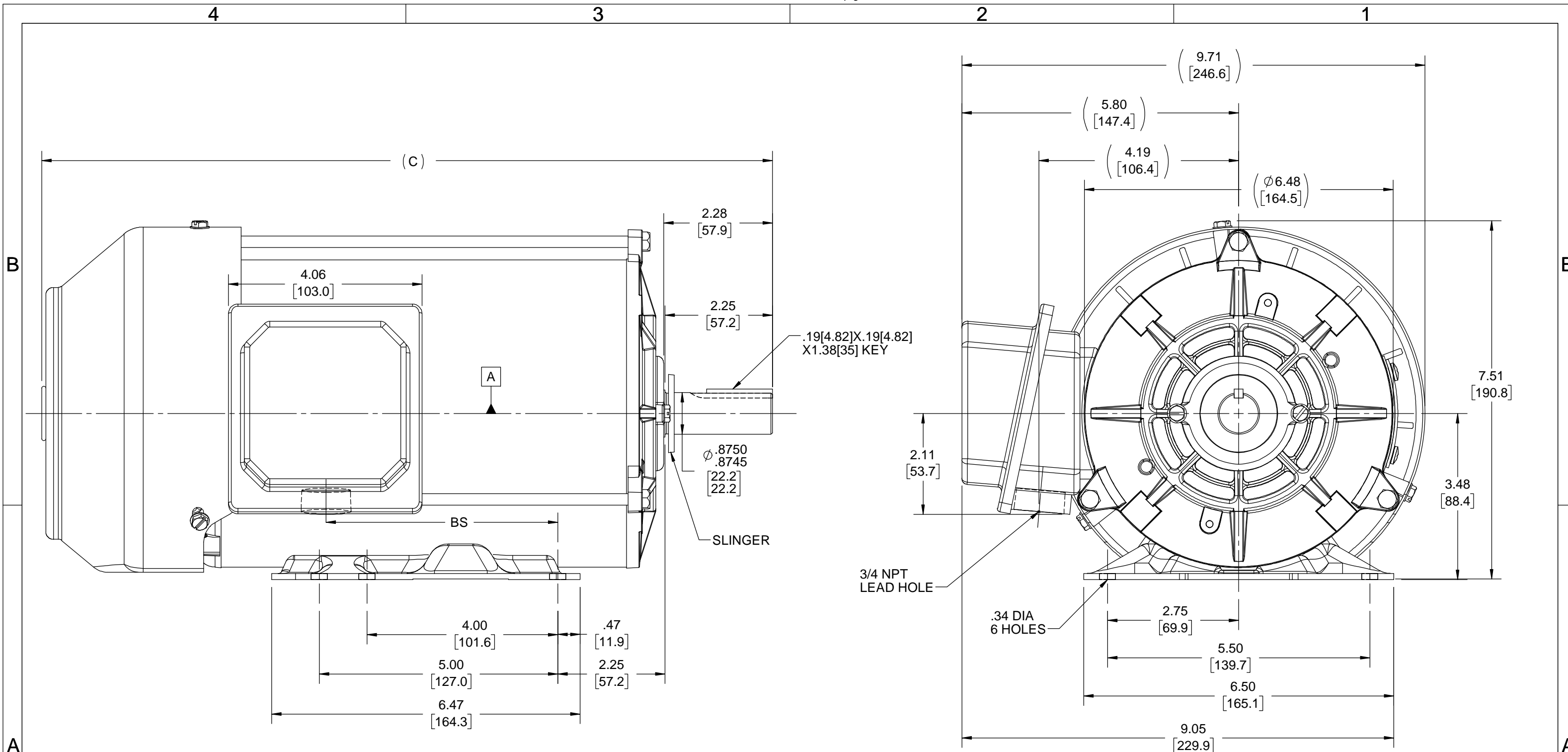
Nameplate Specifications

Output HP	1.50 Hp	Output KW	1.1 kW
Frequency	60 Hz	Voltage	230/460 V
Current	4.4/2.2 A	Speed	1750 rpm
Service Factor	1.15	Phase	3
Efficiency	86.5 %	Power Factor	76
Duty	Continuous	Insulation Class	F
Design Code	B	KVA Code	M
Frame	145T	Enclosure	Totally Enclosed Fan Cooled
Thermal Protection	No Protection	Ambient Temperature	40 °C
Drive End Bearing Size	6205	Opp Drive End Bearing Size	6205
UL	Listed	CSA	Y
CE	Y	IP Code	43
Hazardous Location	DIVISION 2 T2B	Number of Speeds	1

Technical Specifications

Electrical Type	Squirrel Cage Inverter Rated	Starting Method	Line Or Inverter
Poles	4	Rotation	Reversible
Resistance Main	9.75 Ohms	Mounting	Bolt-on Base
Motor Orientation	Horizontal	Drive End Bearing	Ball
Opp Drive End Bearing	Ball	Frame Material	Rolled Steel
Shaft Type	T	Shaft Diameter	0.875 in
Assembly/Box Mounting	F1/F2 CAPABLE	Inverter Load	CONSTANT 10:1/VARIABLE 10:1
Connection Drawing	EE7308	Outline Drawing	SS621071-800

This is an uncontrolled document once printed or downloaded and is subject to change without notice. Date Created:01/30/2023



DASH NO	"C"	"BS"
850	15.32 [389.13]	4.855 [123.32]
800	14.82 [376.43]	4.355 [110.62]

DRAWING REVISION B	REVISION BY SAS	REV DATE/© DATE 10/29/2020
ECO ECO-0193875	APPROVED BY CD	DATE 10/29/2020
ECO DESCRIPTION CHANGED AS PER REVISED BASE		
<small>COPYRIGHT (PER REVISION DATE) REGAL BELOIT AMERICA, INC. ALL RIGHTS RESERVED. PROPRIETARY AND CONFIDENTIAL INFORMATION - THIS DOCUMENT IS THE PROPERTY OF REGAL BELOIT AMERICA, INC. ("OWNER") AND CONTAINS OWNER'S PROPRIETARY INFORMATION. ANY PERSON, CORPORATION OR OTHER FIRM RECEIVING IT IS DEEMED, BY RECEIVING IT, TO AGREE THAT IT, AND/OR ANY PART OF IT, SHALL NOT BE DISCLOSED TO ANY PERSON, CORPORATION OR OTHER ENTITY, DUPLICATED, AND/OR USED, EXCEPT AS EXPRESSLY APPROVED IN WRITING IN ADVANCE BY OWNER. THIS DOCUMENT SHALL BE RETURNED TO OWNER UPON REQUEST. IT MAY BE SUBJECT TO CERTAIN RESTRICTIONS UNDER APPLICABLE EXPORT CONTROL LAWS AND REGULATIONS.</small>		

TOLERANCES (EXCEPT AS NOTED):			
DEC.	INCH	mm	ANGLE
.X	± 0.1	[± 3]	$\pm 7' 30''$
.XX	± 0.03	[± 0.8]	
.XXX	± 0.005	[± 0.13]	
.XXXX	± 0.0005	[± 0.013]	
REMOVE BURRS & BREAK SHARP EDGES: .003/.015 [.08/.38] X 45°			
CORNER FILLETS: R.02 [.5]			
MACHINED SURFACES: 200 / 5.1 INCH / mm			
mm DIMENSIONS IN [BRACKETS] ARE FOR REFERENCE ONLY			

DRAWN BY SAS
DATE 09/22/2020
APPROVED BY JAY
DATE 09/22/2020
REFERENCE
THIRD ANGLE PROJECTION

REGAL ® Regal Beloit America, Inc.	
DESCRIPTION OUTLINE 143/145T FR-TEFC	
MATERIAL	PROCESS/FINISH
SIZE B	DRAWING NUMBER SS621071
SHEET 1 OF 1	



				TOLERANCES UNLESS SPECIFIED		DRAWN RM 11/20/1990				
				DEC.	INCHES	CHK ML 11/21/1990				
5	CHG TO REGAL LOGO	SL	09/10/2015	AB		APPD SAS 04/24/2003				
4	REVISED IEC NOTATIONS	MSG	11/15/2011	CMN	.X	SCALE 1=1				
3	ADDED IEC NOTATIONS... (U1), (V1) ETC. MU95194	MSG	5/10/2010	MJS	.XX	REF				
2	ADDED THE OPTIONAL CORD CONNECTION MU46318	RDH	04/24/2003	DRS	.XXX	FMF				
1	REDRAWN	RM	11/20/1990		.XXXX	PREV				
NO.	REVISION	BY & DATE	CHK	ANG	±	FINISH				
THIS DRAWING IN DESIGN AND DETAIL IS OUR PROPERTY AND MUST NOT BE USED EXCEPT IN CONNECTION WITH OUR WORK ALL RIGHTS OF DESIGN AND INVENTION ARE RESERVED THIS IS AN ELECTRONICALLY GENERATED DOCUMENT - DO NOT SCALE THIS PRINT			RFP			CAD FILE ee7308	SIZE A	DRAWING NO. EE7308	PAGE OF 5	REV. 5
			DIST	WP						



P.O. BOX 8003
 WAUSAU, WI 54401-8003
 PH. 715-675-3311

DATA VOLTS: 460

CERTIFICATION DATA SHEET

CUSTOMER: _____ **CUSTOMER P.O. #:** _____
ORDER #: _____ **REFERENCE MODEL #:** 145TTFBD6027
CONN. DIAGRAM: EE7308 **CAT #:** GT1504
OUTLINE: A-SS621071-800 **CUSTOMER PART #:** _____
WINDING: HAT4007 FR 1 **MOUNTING:** F1/F2 CAPABLE
SPEED: _____ **FAN:** 504205B

TYPICAL MOTOR PERFORMANCE DATA

HP	KW	SYNC RPM	FL RPM	FRAME	ENCLOSURE	TYPE	KVA CODE	DESIGN									
1.5	1.1	1800	1750	145T	TEFC	TFR	M	B									
PH	HZ	VOLTS	AMPS	START TYPE	DUTY	INSL	S.F.	AMB	ELEV.								
3	60/50	230/460#190/380	4.4/2.2&5/2.5	LINE OR INVERTER	CONT	F	1.15	40	3300								
F.L. EFF		86.5	3/4 LD EFF		85.5	1/2 LD EFF		82.5	GTD EFF		85.5	ELECT. TYPE		SQ CAGE INV RATED			
F.L. PF		76.0	3/4 LD PF		67.0	1/2 LD PF		54.0	GTD PF		85.5	ELECT. TYPE		SQ CAGE INV RATED			
F.L. TORQUE		LR AMPS @ 460 V		L.R. TORQUE		B.D. TORQUE		F.L. RISE (° C)									
4.5 LB-FT		20.0		16.5 LB-FT 367%		19.0 LB-FT 422%		60									
SOUND PRESSURE @		SOUND		ROTOR WK ²		MAX. LOAD WK ²		SAFE STALL TIME		STARTS/HOUR		APROX.					
62 dBA		71 dBA		0.11 LB-FT ²		10 LB-FT ²		15 SEC.		2		48 LB.					
*** SUPPLEMENTAL INFORMATION ***																	
DE BRACKET TYPE		ODE BRACKET TYPE		MOUNT TYPE		MOTOR ORIENTATION		SEVERE DUTY		HAZARDOUS LOCATION		DRIP COVER		SCREENS		PAINT	
STANDARD HUBLESS		BRAKE		BOLT-ON		HORIZONTAL		NO		NONE		NO		NONE		BLUE (ENAMEL)	
BEARINGS		GREASE		SHAFT TYPE		SPECIAL DE		SPECIAL ODE		SHAFT MATERIAL		FRAME MATERIAL					
DE ODE		POLYREX EM		T		NONE		NONE		1045 HOT ROLLED (C-204)		ROLLED STEEL					
BALL BALL		6205 6205															
THERMOSTATS		PROTECTORS		WDG RTD's		BRG RTD's		THERMISTORS		CONTROL		SPACE HEATERS					
NONE		NOT		NONE		NONE		NONE		FALSE		NA					
R1 (ohms/ph)		R2 (ohms/ph)		X1 (ohms/ph)		X2 (ohms/ph)		Xm (ohms/ph)		VIBRATION (in/sec)		FLOAT					
5.865		4.162		8.136		7.568		202.444		0.150		ODE					
* N O T E S *								INVERTER TORQUE: CONSTANT 10:1/VARIABLE 20:1 INV. HP SPEED RANGE: NONE									
								ENCODER: NONE NONE NONE PPR									
PREPARED BY: _____								BRAKE: STEARNS 56,000 NONE FT-LB: 10 VOLTAGE: NONE HZ:									
DATE: 8/1/2022								UL: V - LI,ME-INS,CONST UL REC									

FORM: 3531 REV_4 2/27/06

EC Declaration of Conformity

The undersigned representing
the manufacturer:

Regal Beloit America
100 East Randolph St.
Wausau, WI 54401

and the authorized representative
established within the Community:

Marathon Electric UK
6F Thistleton Road Ind. Estate
Market Overton
Oakham, Rutland LE15 7PP UK

are committed to providing customers with products that comply with applicable regulations and international protocols to which they are subject, including the requirements of the European Parliament Directive on the Harmonization of the laws relating to electrical equipment designed for use within certain voltage limits (2014/35/EU).

Regal Beloit America declares that the following product(s), to which this declaration relates, are in conformity with the relevant sections of the EC standards listed below.

This statement supersedes any statements previously issued pertaining to the product(s) listed below and is subject to change without notice.

Model No : 145TTFB6027

(Model No. may contain prefix and/or suffix characters)

Catalog No : GT1504

Rework No : N/A

Directives :

Low Voltage Directive 2014/35/EU

Harmonized Standards Used :

EN 60034-1: 2010 (IEC 60034-1: 2010)

EN 60034-5: 2001/A1:2007 (IEC 60034-5: 2000/A1:2006)

Authorized Representative:



Michael A. Logsdon
Vice President, Technology

Authorized Representative in the Community:



Julian Clark
Marketing Engineer

Created on 09/01/2022

CE 22