

PRODUCT INFORMATION PACKET

Model No: 215TTDBD6012

Catalog No: GT2421A

Close-Coupled Pump Motor, 15 HP, 3 Ph, 60 Hz, 230/460 V, 3600 RPM, 215JP Frame, DP



Regal and are trademarks of Regal Rexnord Corporation or one of its affiliated companies.
©2022 Regal Rexnord Corporation, All Rights Reserved. MC017097E

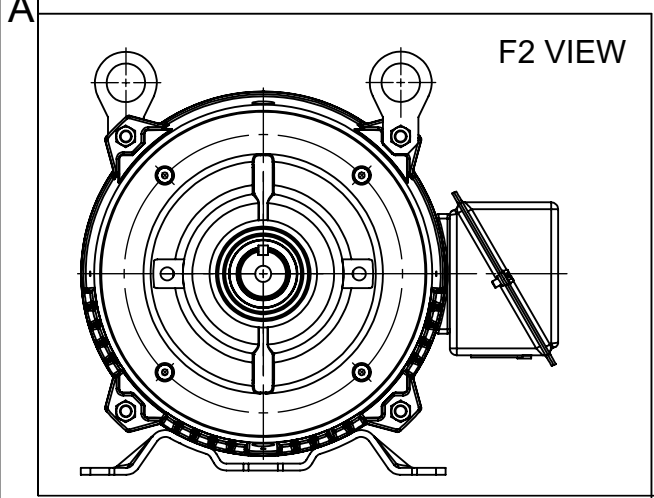
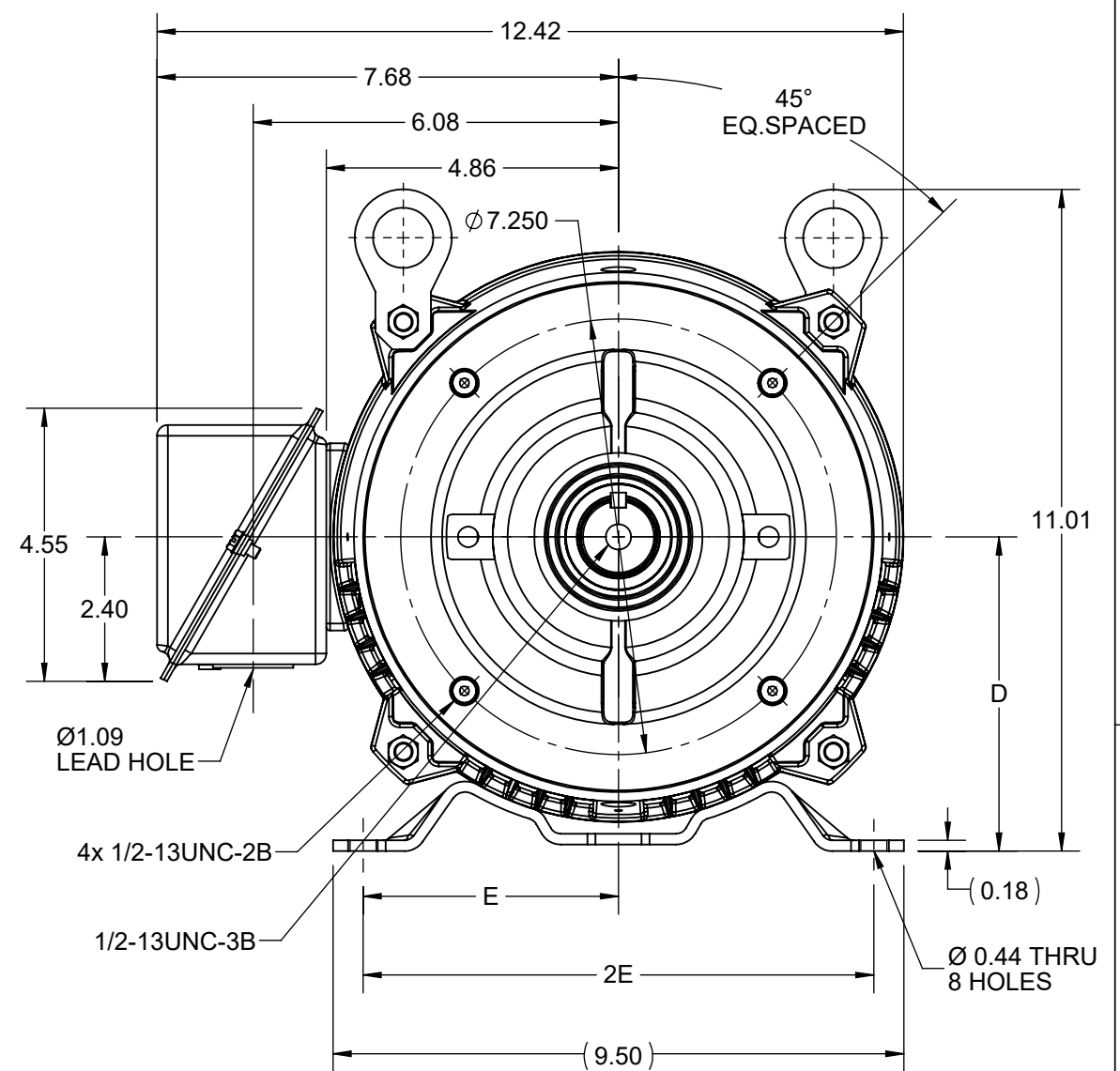
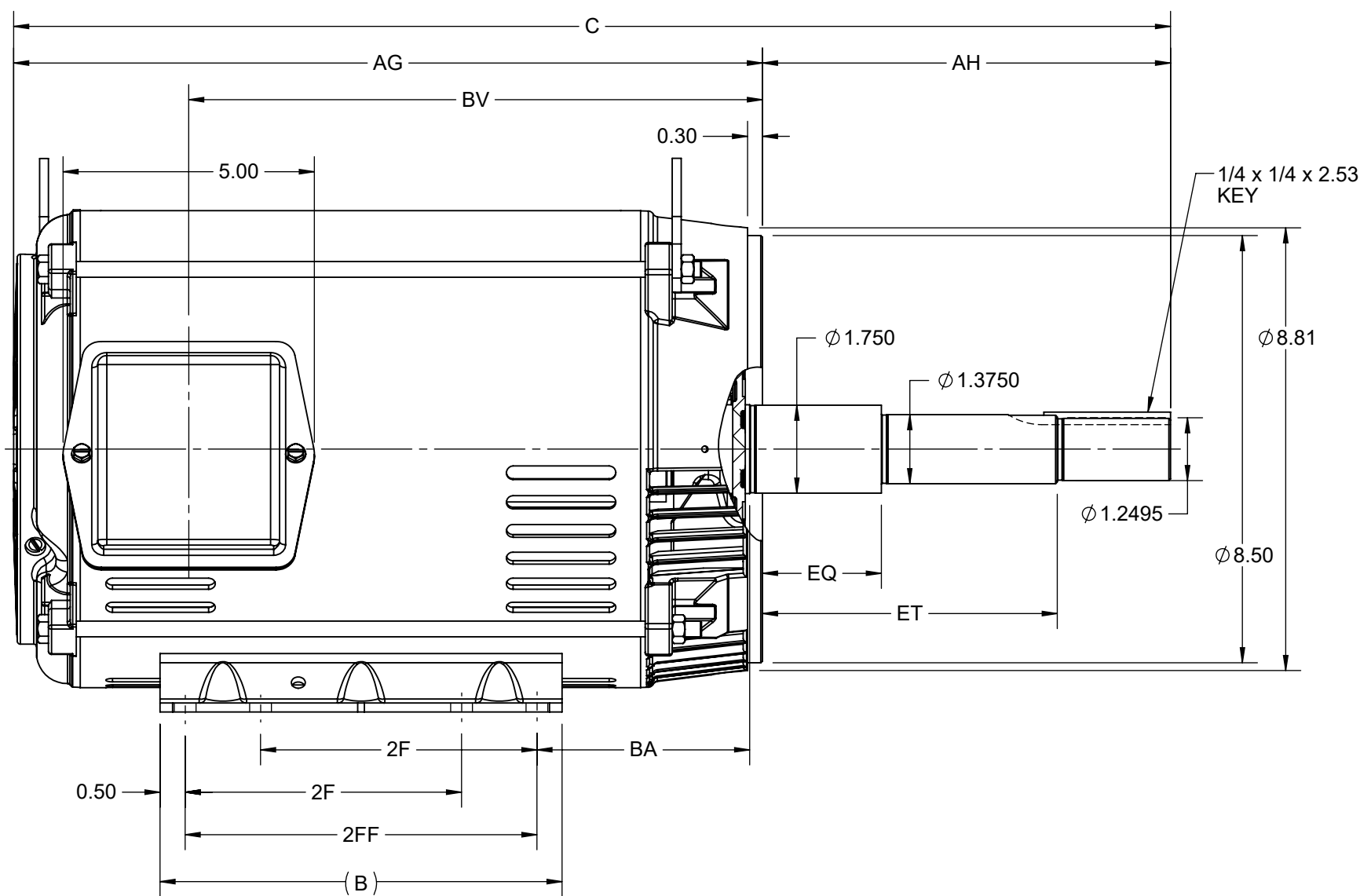
Nameplate Specifications

Output HP	15 Hp	Output KW	11.2 kW
Frequency	60 Hz	Voltage	230/460 V
Current	36.0/18.0 A	Speed	3515 rpm
Service Factor	1.15	Phase	3
Efficiency	90.2 %	Power Factor	85.8
Duty	Continuous	Insulation Class	F
Design Code	B	KVA Code	G
Frame	215JP	Enclosure	Drip Proof
Thermal Protection	No Protection	Ambient Temperature	40 °C
Drive End Bearing Size	6309	Opp Drive End Bearing Size	6206
UL	Recognized	CSA	Y
CE	Y	IP Code	22
Number of Speeds	1		

Technical Specifications

Electrical Type	Squirrel Cage Inverter Rated	Starting Method	Line Or Inverter
Poles	2	Rotation	Reversible
Resistance Main	.97 Ohms	Mounting	Rigid Base
Motor Orientation	Horizontal	Drive End Bearing	Ball
Opp Drive End Bearing	Ball	Frame Material	Rolled Steel
Shaft Type	JP	Overall Length	23.11 in
Frame Length	11.15 in	Shaft Diameter	1.249 in
Shaft Extension	8.39 in	Assembly/Box Mounting	F1/F2 CAPABLE
Inverter Load	VARIABLE 10:1		
Connection Drawing	EE7308	Outline Drawing	SS620793

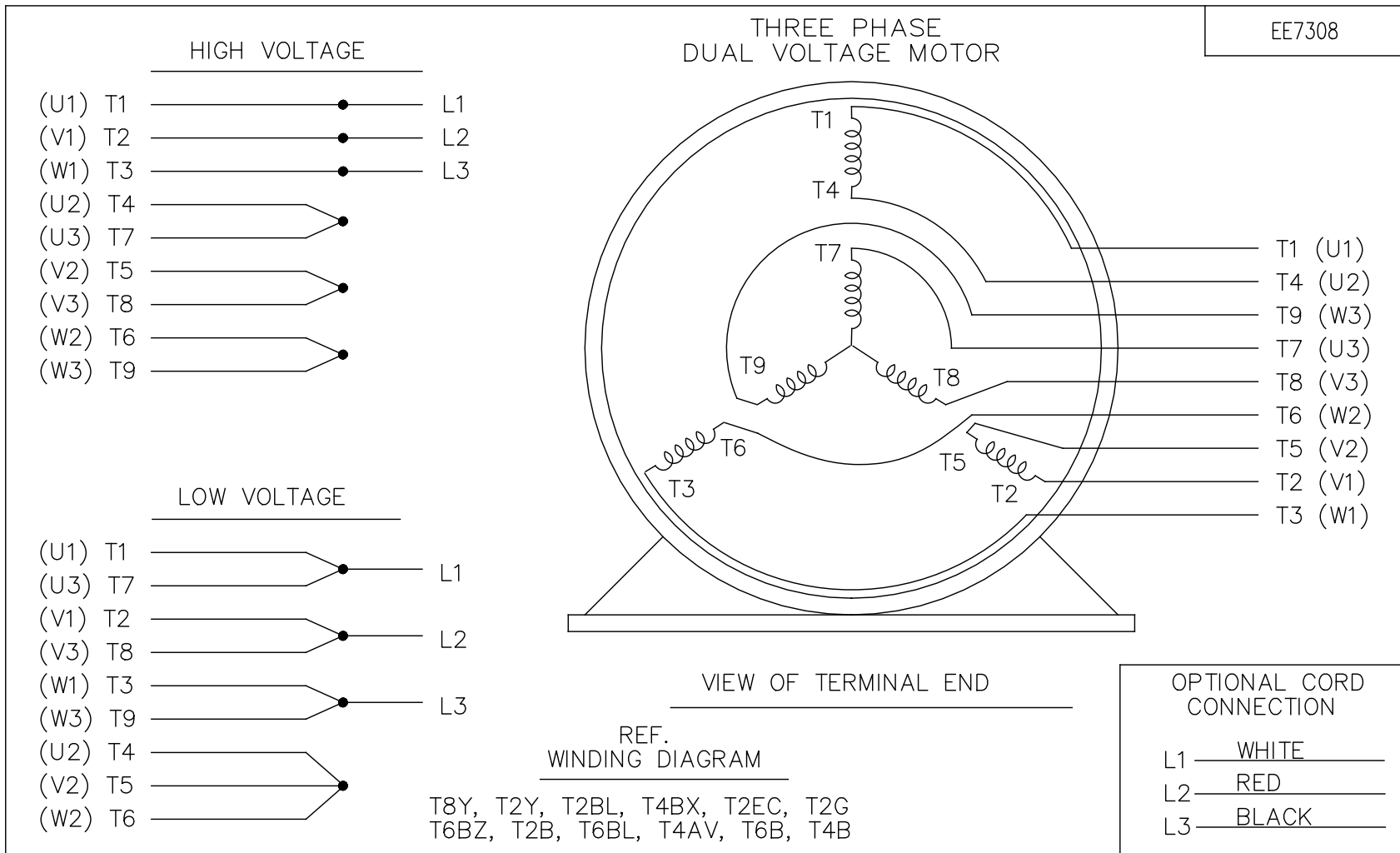
4				3				2				1	
B	C	D	E	2E	2F	2FF	AG	AH	BV	BA	EQ	ET	MOUNTING
8.00	23.02	5.25	4.25	8.50	5.50	7.00	14.90	8.12	11.42	4.25	2.37	5.87	F1 OR F2



DRAWING REVISION F	REVISION BY GOPI J	REV DATE/© DATE 09/05/2022
REQUEST NUMBER CR-0008840	APPROVED BY GNK	DATE 09/05/2022
REQUEST NUMBER DESCRIPTION FRAME AND CONDUIT BOX PART # UPDATED AS PER CR		
<small>COPYRIGHT (PER REVISION DATE) REGAL BELOIT AMERICA, INC. ALL RIGHTS RESERVED. PROPRIETARY AND CONFIDENTIAL INFORMATION - THIS DOCUMENT IS THE PROPERTY OF REGAL BELOIT AMERICA, INC. ("OWNER") AND CONTAINS OWNER'S PROPRIETARY INFORMATION. ANY PERSON, CORPORATION OR OTHER FIRM RECEIVING IT IS DEEMED, BY RECEIVING IT, TO AGREE THAT IT, AND/OR ANY PART OF IT, SHALL NOT BE DISCLOSED TO ANY PERSON, CORPORATION OR OTHER ENTITY, DUPLICATED, AND/OR USED, EXCEPT AS EXPRESSLY APPROVED IN WRITING IN ADVANCE BY OWNER. THIS DOCUMENT SHALL BE RETURNED TO OWNER UPON REQUEST. IT MAY BE SUBJECT TO CERTAIN RESTRICTIONS UNDER APPLICABLE EXPORT CONTROL LAWS AND REGULATIONS.</small>		

PRIMARY DIMENSIONS ARE INCH
mm DIMENSIONS IN [BRACKETS]
ARE FOR REFERENCE ONLY

DRAWN BY ZXY	Regal Beloit America, Inc.	
DATE 01/01/2017	DESCRIPTION OUTLINE 213/215JP FR NEMA ODP RS	
APPROVED BY WANG YANG	MATERIAL	PROCESS/FINISH
DATE 01/01/2017	SIZE B	DRAWING NUMBER SS620793
REFERENCE	THIRD ANGLE PROJECTION	SHEET 1 OF 1



NO.	REVISION	BY & DATE	CHK	ANG	TOLERANCES UNLESS SPECIFIED		FINISH	DRAWN RM	ML	REV.	
					DEC.	INCHES					
5	CHG TO REGAL LOGO	SL 09/10/2015	AB					RM	11/20/1990		
4	REVISED IEC NOTATIONS	MSG 11/15/2011	CMN	.X	±.1			CHK	ML 11/21/1990		
3	ADDED IEC NOTATIONS... (U1), (V1) ETC. MU95194	MSG 5/10/2010	MJS	.XX	±.02			APPD	SAS 04/24/2003		
2	ADDED THE OPTIONAL CORD CONNECTION MU46318	RDH 04/24/2003	DRS	.XXX	±.005			SCALE	1=1		
1	REDRAWN	RM 11/20/1990		.XXXX	±.0005			REF			
					±7'30"			FMP			
THIS DRAWING IN DESIGN AND DETAIL IS OUR PROPERTY AND MUST NOT BE USED EXCEPT IN CONNECTION WITH OUR WORK ALL RIGHTS OF DESIGN AND INVENTION ARE RESERVED THIS IS AN ELECTRONICALLY GENERATED DOCUMENT - DO NOT SCALE THIS PRINT							RFP	CAD FILE ee7308	SIZE	DRAWING NO. PAGE OF	REV.
							DIST WP		A	EE7308	5



**P.O. BOX 8003
WAUSAU, WI 54401-8003
PH. 715-675-3311**

CERTIFICATION DATA SHEET

CUSTOMER:

CUSTOMER

ORDER #:

PO#:

CONN. DIAGRAM: EE7308

MODEL #: 215TTDBD6012 A

CUSTOMER PART

OUTLINE: SS620793

#:

WINDING #: HE31322017 2

MOUNTING: F1/F2 CAPABLE

TYPICAL MOTOR PERFORMANCE DATA

HP	kW	SYNC. RPM	F.L. RPM	FRAME	ENCLOSURE	KVA CODE	DESIGN
15&10	11.2&7.50	3600	3515&2930	213TV	DP	G	B

PH	Hz	VOLTS	AMPS	START TYPE	DUTY	INSL	S.F.	AMB°C
3	60/50	230/460&190/380	36/18&29.8/14.9	LINE OR INVERTER	CONTINUOUS	F3	1.15/1.15	40

FULL LOAD EFF:	90.9&90.2	3/4 LOAD EFF:	91.8	1/2 LOAD EFF:	90.5	GTD. EFF		ELEC. TYPE
FULL LOAD PF:	85.8&84	3/4 LOAD PF:	81.9	1/2 LOAD PF:	72.7	89.5		SQ CAGE INV RATED

F.L. TORQUE	LOCKED ROTOR AMPS	L.R. TORQUE	B.D. TORQUE	F.L. RISE°C
22.4 LB-FT	210 / 105	38 LB-FT 170 %	57 LB-FT 254 %	50

SOUND PRESSURE @ 3 FT.	SOUND POWER	ROTOR WK^2	MAX. WK^2	SAFE STALL TIME	STARTS / HOUR	APPROX. MOTOR WGT
60 dBA	70 dBA	0.6 LB-FT^2	18 LB-FT^2	10 SEC.	2	125 LBS.

***** SUPPLEMENTAL INFORMATION *****

DE BRACKET TYPE	ODE BRACKET TYPE	MOUNT TYPE	ORIENTATION	SEVERE DUTY	HAZARDOUS LOCATION	DRIP COVER	SCREENS	PAINT
STANDARD	STANDARD	RIGID	HORIZONTAL OR SHAFT DOWN	FALSE	NONE	FALSE	RODENT	BLUE (ENAMEL)

BEARINGS		GREASE	SHAFT TYPE	SPECIAL DE	SPECIAL ODE	SHAFT MATERIAL	FRAME MATERIAL
DE	ODE						
BALL	BALL	POLYREX EM	T	NONE	NONE	1045 HOT ROLLED (C-204)	ROLLED STEEL
6307	6202						

THERMO-PROTECTORS				THERMISTORS	CONTROL	SPACE HEATERS
THERMOSTATS	PROTECTORS	WDG RTDs	BRG RTDs			
NONE	NOT	NONE	NONE	NONE	FALSE	NONE VOLTS

*
N
O
T
E
S

INVERTER TORQUE: CONSTANT 20:1/VARIABLE 20:1
INV. HP SPEED RANGE: NONE
ENCODER: NONE NONE NONE NONE NONE PPR
BRAKE: NONE NONE NONE P/N NONE NONE NONE NONE FT-LB NONE V NONE Hz

Data Sheet

Date: 12/1/2021
 Customer: _____
 Attention: _____
 Submitted by: _____



215TTDBD6012

Submittal

Data @ 460 V

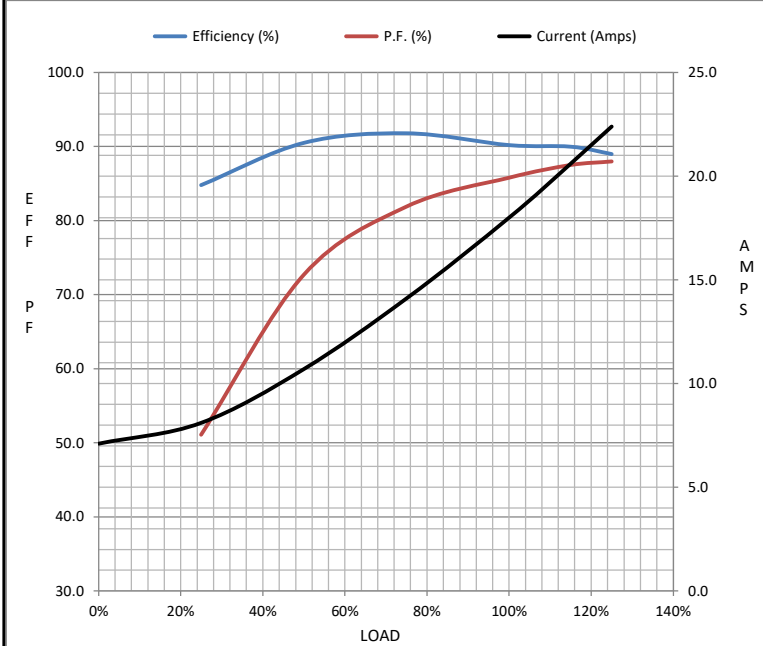
Motor Load Data

Load	0%	25%	50%	75%	100%	115%	125%	LR
Current (Amps)	7.1	8.1	10.7	14.1	18.0	20.6	22.4	105
Torque (ft-lb)	0.00	5.5	11.1	16.8	22.4	26.0	28.2	40.0
RPM	3600	3580	3560	3538	3515	3,498	3488	0
Efficiency (%)		84.8	90.5	91.8	90.2	90.0	89.0	
P.F. (%)	11.5	51.1	72.7	81.9	85.8	87.5	88.0	45.0

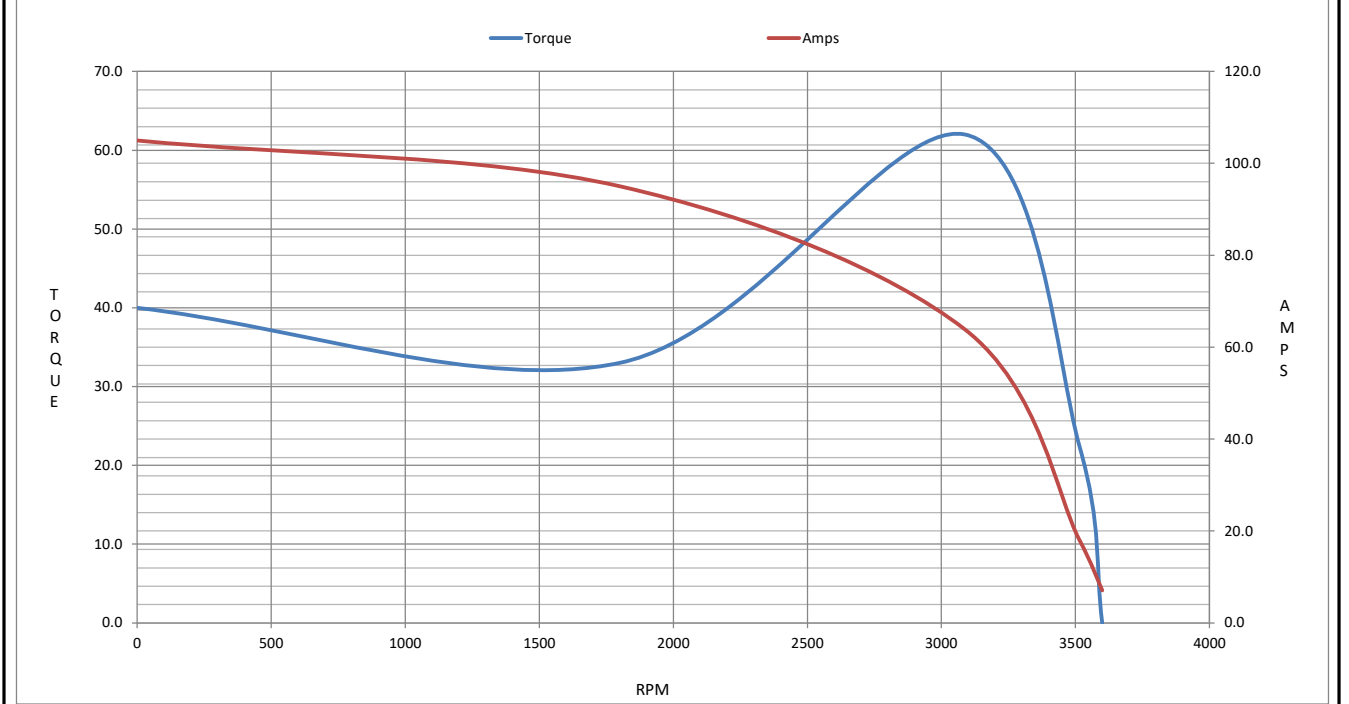
Motor Speed Data

	LR	Pull-Up	BD	Rated	Idle
Speed (RPM)	0	1800	3085	3515	3600
Current (Amps)	105	95.0	64.0	18.0	7.1
Torque (ft-lb)	40.0	33.0	62.0	22.4	0.00

Information Block				
HP	15.0			
Sync. RPM	3600			
Frame	215			
Enclosure	DP			
Construction	TDB			
Voltage	230/460#190/380 V			
Frequency	60 Hz			
Design	B			
LR Code letter	G			
Service Factor	1.15			
Temp Rise @ FL	50 ° C			
Duty	CONT			
Ambient	40 ° C			
Elevation	3,300 feet			
Rotor/Shaft wk ²	0.60 Lb-F ²			
Ref Wdg	HA31322017 NONE			
Sound Pressure @ 1M	60 dBA			
VFD Rating	VARIABLE 20:1			
Outline Dwg	SS620793			
Conn. Diag	EE7308			
Additional Specifications:				
0				
0				
EQUIV CKT (OHMS / PHASE)				
R1	R2	X1	X2	Xm
0.5860	0.3590	1.6070	1.0020	39.5960



Speed - Torque Curve



EC Declaration of Conformity

The undersigned representing
the manufacturer:

Regal Beloit America
100 East Randolph St.
Wausau, WI 54401

and the authorized representative
established within the Community:

Marathon Electric UK
6F Thistleton Road Ind. Estate
Market Overton
Oakham, Rutland LE15 7PP UK

are committed to providing customers with products that comply with applicable regulations and international protocols to which they are subject, including the requirements of the European Parliament Directive on the Harmonization of the laws relating to electrical equipment designed for use within certain voltage limits (2014/35/EU).

Regal Beloit America declares that the following product(s), to which this declaration relates, are in conformity with the relevant sections of the EC standards listed below.

This statement supersedes any statements previously issued pertaining to the product(s) listed below and is subject to change without notice.

Model No : 215TTDBD6012

(Model No. may contain prefix and/or suffix characters)

Catalog No : GT2421A

Rework No : N/A

Directives :

Low Voltage Directive 2014/35/EU

Harmonized Standards Used :

EN 60034-1: 2010 (IEC 60034-1: 2010)

EN 60034-5: 2001/A1:2007 (IEC 60034-5: 2000/A1:2006)

Authorized Representative:



Michael A. Logsdon
Vice President, Technology

Authorized Representative in the Community:



Julian Clark
Marketing Engineer

Created on 09/01/2022

CE 22