

PRODUCT INFORMATION PACKET

Model No: 184TTFBD6037

Catalog No: GT3413A

Globetrotter® Close-Coupled Pump Motor, 5 HP, 3 Ph, 60 Hz, 230/460 V, 1800 RPM, 184JP Frame, TEFC



Regal and Marathon are trademarks of Regal Rexnord Corporation or one of its affiliated companies.
©2022 Regal Rexnord Corporation, All Rights Reserved. MC017097E



Nameplate Specifications

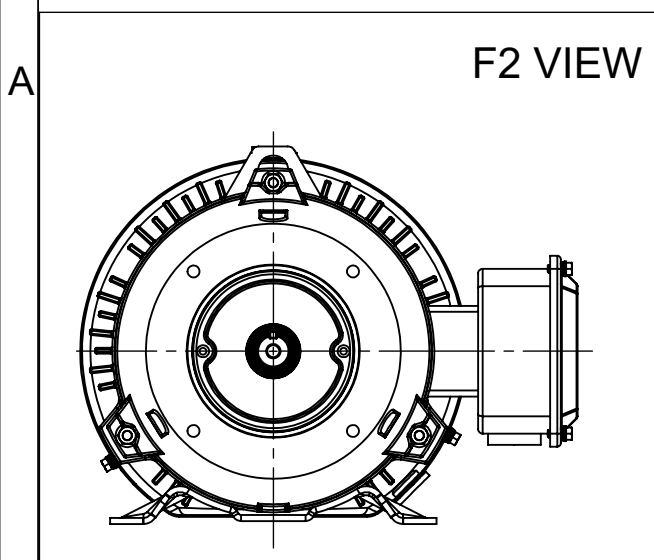
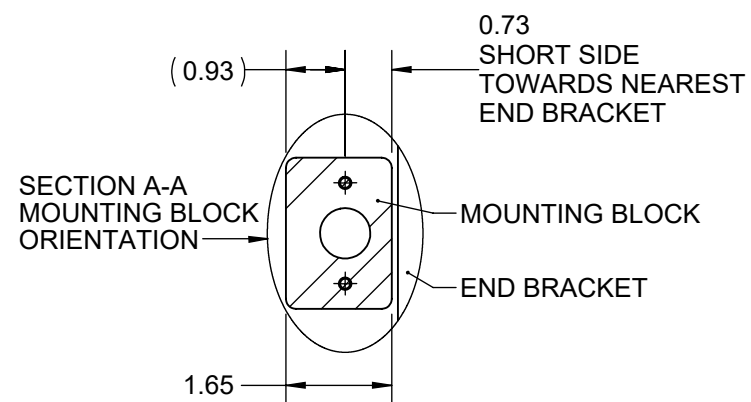
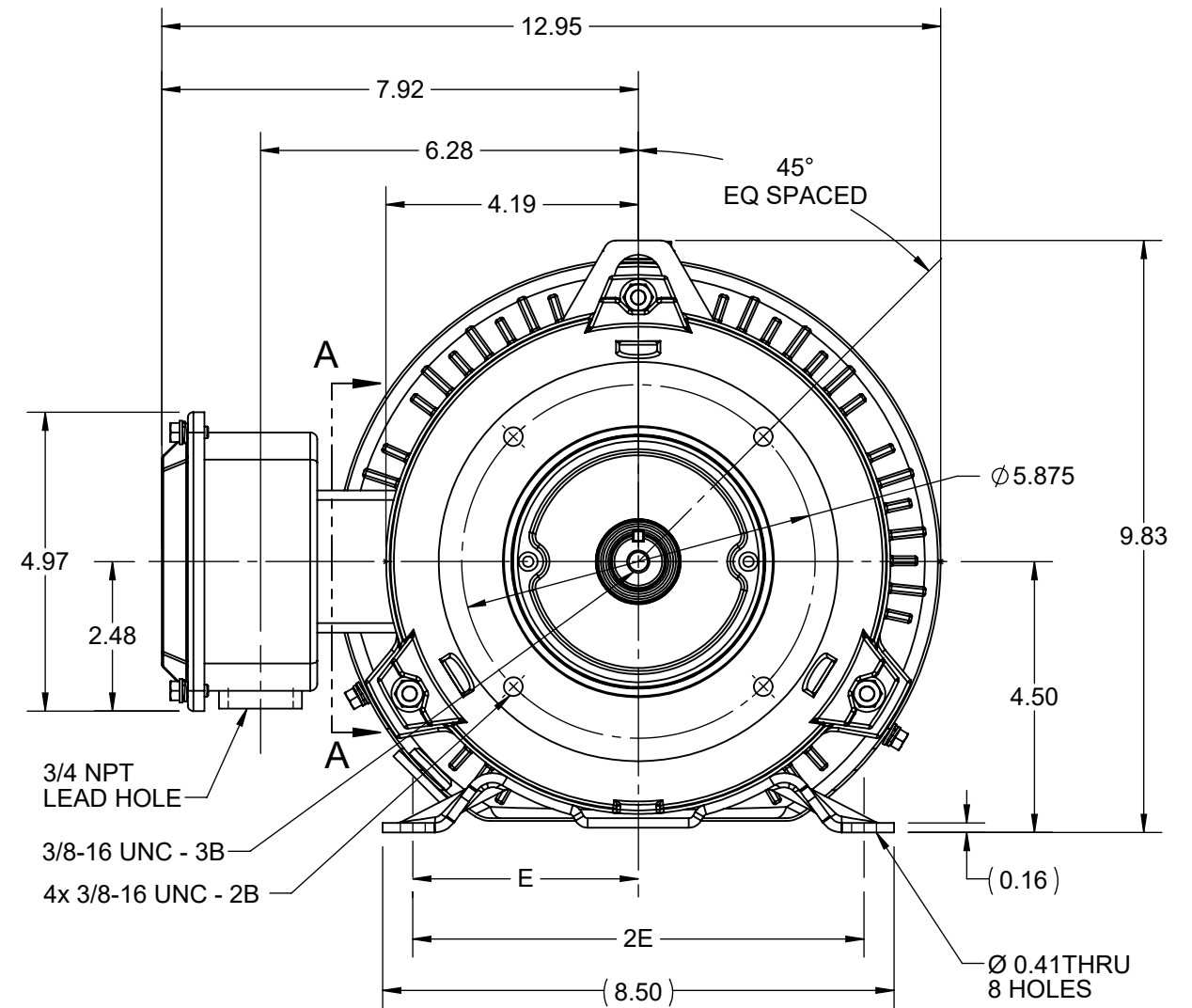
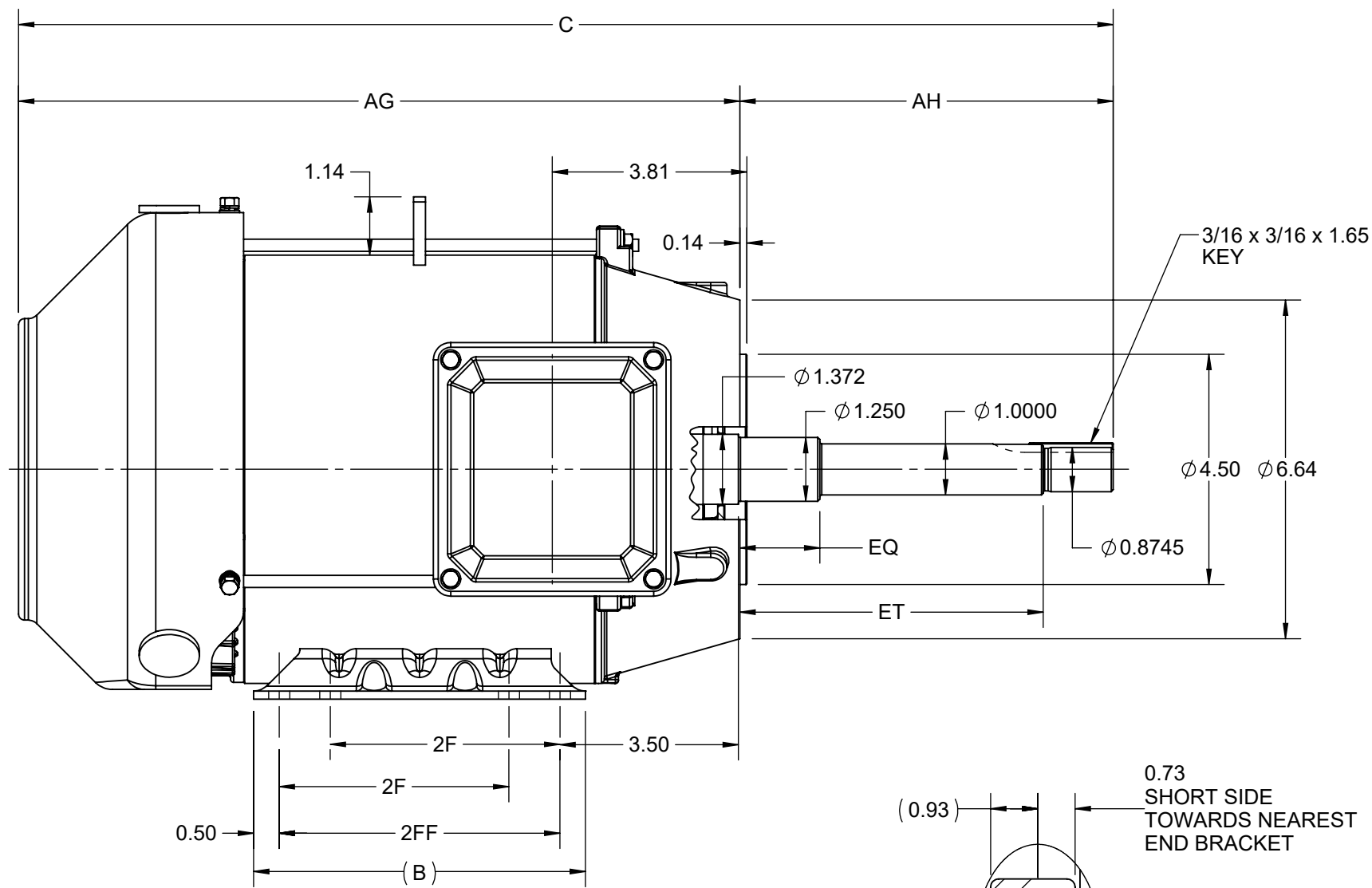
| | | | |
|------------------------|-----------------------|----------------------------|------------------------------------|
| Output HP | 5 Hp | Output KW | 3.7 kW |
| Frequency | 60 Hz | Voltage | 230/460 V |
| Current | 13.2/6.6 A | Speed | 1765 rpm |
| Service Factor | 1.15 | Phase | 3 |
| Efficiency | 89.5 % | Power Factor | 80 |
| Duty | Continuous | Insulation Class | F |
| Design Code | A | KVA Code | K |
| Frame | 184JP | Enclosure | Totally Enclosed Fan Cooled |
| Thermal Protection | No Protection | Ambient Temperature | 40 °C |
| Drive End Bearing Size | 6307 | Opp Drive End Bearing Size | 6205 |
| UL | Listed | CSA | Y |
| CE | Y | IP Code | 43 |
| Hazardous Location | DIVISION 2 T2B | Number of Speeds | 1 |

Technical Specifications

| | | | |
|-----------------------|-------------------------------------|-------------------|------------------------------------|
| Electrical Type | Squirrel Cage Inverter Rated | Starting Method | Line Or Inverter |
| Poles | 4 | Rotation | Reversible |
| Resistance Main | 2.75 Ohms | Mounting | Rigid Base |
| Motor Orientation | Horizontal | Drive End Bearing | Ball |
| Opp Drive End Bearing | Ball | Frame Material | Rolled Steel |
| Shaft Type | JP | Shaft Diameter | 1.250 in |
| Assembly/Box Mounting | F1/F2 CAPABLE | Inverter Load | CONSTANT 10:1/VARIABLE 10:1 |
| Connection Drawing | EE7308 | Outline Drawing | SS600203-200 |

This is an uncontrolled document once printed or downloaded and is subject to change without notice. Date Created:11/29/2022

| DASH NO. | 4 | | 3 | | | | | 2 | | | 1 | |
|----------|------|-------|------|------|------|------|-------|------|------|------|----------|-------|
| | B | C | E | 2E | 2F | 2FF | AG | AH | EQ | ET | MOUNTING | FRAME |
| 100 | 6.50 | 20.44 | 3.75 | 7.50 | 4.50 | 5.50 | 13.12 | 7.31 | 1.56 | 5.93 | F1 OR F2 | 182JP |
| 200 | | 21.44 | | | | | 14.12 | | | | | 184JP |



| | | |
|---|--------------------|-------------------------------|
| DRAWING REVISION C | REVISION BY SP | REV DATE/© DATE 16/04/2021 |
| ECO CR-0002149 | APPROVED BY GNK | DATE 16/04/2021 |
| ECO DESCRIPTION DRAWING UPDATED | | |
| <small>COPYRIGHT (PER REVISION DATE) REGAL BELOIT AMERICA, INC. ALL RIGHTS RESERVED. PROPRIETARY AND CONFIDENTIAL INFORMATION - THIS DOCUMENT IS THE PROPERTY OF REGAL BELOIT AMERICA, INC. ("OWNER") AND CONTAINS OWNER'S PROPRIETARY INFORMATION. ANY PERSON, CORPORATION OR OTHER FIRM RECEIVING IT IS DEEMED, BY RECEIVING IT, TO AGREE THAT IT, AND/OR ANY PART OF IT, SHALL NOT BE DISCLOSED TO ANY PERSON, CORPORATION OR OTHER ENTITY, DUPLICATED, AND/OR USED, EXCEPT AS EXPRESSLY APPROVED IN WRITING IN ADVANCE BY OWNER. THIS DOCUMENT SHALL BE RETURNED TO OWNER UPON REQUEST. IT MAY BE SUBJECT TO CERTAIN RESTRICTIONS UNDER APPLICABLE EXPORT CONTROL LAWS AND REGULATIONS.</small> | | |

PRIMARY DIMENSIONS ARE INCH
mm DIMENSIONS IN [BRACKETS]
ARE FOR REFERENCE ONLY

| | |
|------------------------|--|
| DRAWN BY MSH | REGAL ® Regal Beloit America, Inc. |
| DATE 18/04/2018 | |
| APPROVED BY SBD | DESCRIPTION OUTLINE NEMA 182/184JP FR TEFC RS |
| DATE 18/04/2018 | MATERIAL PROCESS/FINISH |
| REFERENCE | SIZE B |
| THIRD ANGLE PROJECTION | DRAWING NUMBER SS600203 |
| | SHEET 1 OF 1 |

EE7308

THREE PHASE
DUAL VOLTAGE MOTOR



VIEW OF TERMINAL END

REF.
WINDING DIAGRAM

T8Y, T2Y, T2BL, T4BX, T2EC, T2G
T6BZ, T2B, T6BL, T4AV, T6B, T4B

OPTIONAL CORD
CONNECTION

L1 — WHITE
L2 — RED
L3 — BLACK

| NO. | | REVISION | | BY & DATE | | CHK | | ANG | | FINISH | | PREV | |
|--|--|----------|------------|-----------------|-------|--------|--|--------------------|--|-----------|--|--------|--|
| 5 | CHG TO REGAL LOGO | SL | 09/10/2015 | AB | | | | | | | | | |
| 4 | REVISED IEC NOTATIONS | MSG | 11/15/2011 | CMN | .X | ±.1 | | | | | | | |
| 3 | ADDED IEC NOTATIONS... (U1), (V1) ETC. MU95194 | MSG | 5/10/2010 | MJS | .XX | ±.02 | | | | | | | |
| 2 | ADDED THE OPTIONAL CORD CONNECTION MU46318 | RDH | 04/24/2003 | DRS | .XXX | ±.005 | | | | | | | |
| 1 | REDRAWN | RM | 11/20/1990 | | .XXXX | ±.0005 | | | | | | | |
| | | | | | | | | | | | | | |
| THIS DRAWING IN DESIGN AND DETAIL IS OUR PROPERTY AND MUST NOT BE USED EXCEPT IN CONNECTION WITH OUR WORK ALL RIGHTS OF DESIGN AND INVENTION ARE RESERVED THIS IS AN ELECTRONICALLY GENERATED DOCUMENT - DO NOT SCALE THIS PRINT | | RFP | | CAD FILE ee7308 | | SIZE A | | DRAWING NO. EE7308 | | PAGE OF 5 | | REV. 5 | |
| | | | | DIST WP | | | | | | | | | |

REGAL™ Regal Beloit America, Inc. DRAWN RM 11/20/1990
CHK ML 11/21/1990
APPD SAS 04/24/2003

TITLE CONNECTION DIAGRAM
3Ø - DUAL VOLTAGE MOTOR
SCALE 1=1
REF
MAT'L.
FINISH



**P.O. BOX 8003
WAUSAU, WI 54401-8003
PH. 715-675-3311**

CERTIFICATION DATA SHEET

CUSTOMER:
ORDER #:
CONN. DIAGRAM: EE7308
OUTLINE: SS600203-184JP
WINDING #: HE31124020 3

CUSTOMER PO#:
MODEL #: 184TTFBD6037 AA
CUSTOMER PART #:
MOUNTING: F1/F2 CAPABLE

TYPICAL MOTOR PERFORMANCE DATA

| HP | kW | SYNC. RPM | F.L. RPM | FRAME | ENCLOSURE | KVA CODE | DESIGN |
|-----|-----------|-----------|-----------|-------|-----------|----------|--------|
| 5&3 | 3.70&2.24 | 1800 | 1755&1462 | 184JP | TEFC | J | B |

| PH | Hz | VOLTS | AMPS | START TYPE | DUTY | INSL | S.F. | AMB°C |
|----|-------|-----------------|-----------------|------------------|------------|------|-----------|-------|
| 3 | 60/50 | 230/460&190/380 | 13/6.5&10.2/5.1 | LINE OR INVERTER | CONTINUOUS | F7 | 1.15/1.15 | 40 |

| FULL LOAD EFF: | 89.5&86.5 | 3/4 LOAD EFF: | 89.5 | 1/2 LOAD EFF: | 88.5 | GTD. EFF | | ELEC. TYPE | |
|----------------|-----------|---------------|------|---------------|------|----------|--|-------------------|--|
| FULL LOAD PF: | 80&77 | 3/4 LOAD PF: | 75 | 1/2 LOAD PF: | 64 | 88.5 | | SQ CAGE INV RATED | |

| F.L. TORQUE | LOCKED ROTOR AMPS | L.R. TORQUE | B.D. TORQUE | F.L. RISE°C |
|-------------|-------------------|----------------|----------------|-------------|
| 15 LB-FT | 99 / 49.5 | 33 LB-FT 220 % | 42 LB-FT 290 % | 60 |

| SOUND PRESSURE @ 3 FT. | SOUND POWER | ROTOR WK^2 | MAX. WK^2 | SAFE STALL TIME | STARTS / HOUR | APPROX. MOTOR WGT |
|------------------------|-------------|------------|-----------|-----------------|---------------|-------------------|
| 50 dBA | 60 dBA | - LB-FT^2 | - LB-FT^2 | 15 SEC. | 2 | 97 LBS. |

***** SUPPLEMENTAL INFORMATION *****

| DE BRACKET TYPE | ODE BRACKET TYPE | MOUNT TYPE | ORIENTATION | SEVERE DUTY | HAZARDOUS LOCATION | DRIP COVER | SCREENS | PAINT |
|-----------------|------------------|------------|-------------|-------------|--------------------|-----------------|---------|--------------|
| C-FACE | STANDARD | RIGID | HORIZONTAL | FALSE | DIVISION 2 T2B | PROVISIONS ONLY | NONE | BLUE (EPOXY) |

| BEARINGS | | GREASE | SHAFT TYPE | SPECIAL DE | SPECIAL ODE | SHAFT MATERIAL | FRAME MATERIAL |
|----------|------|------------|------------|------------|-------------|-------------------------|----------------|
| DE | ODE | | | | | | |
| BALL | BALL | POLYREX EM | JP | NONE | NONE | 1045 HOT ROLLED (C-204) | ROLLED STEEL |
| 6307 | 6205 | | | | | | |

| THERMO-PROTECTORS | | | | THERMISTORS | CONTROL | SPACE HEATERS |
|-------------------|------------|----------|----------|-------------|---------|---------------|
| THERMOSTATS | PROTECTORS | WDG RTDs | BRG RTDs | | | |
| NONE | NOT | NONE | NONE | NONE | FALSE | NONE VOLTS |

*
N
O
T
E
S
*

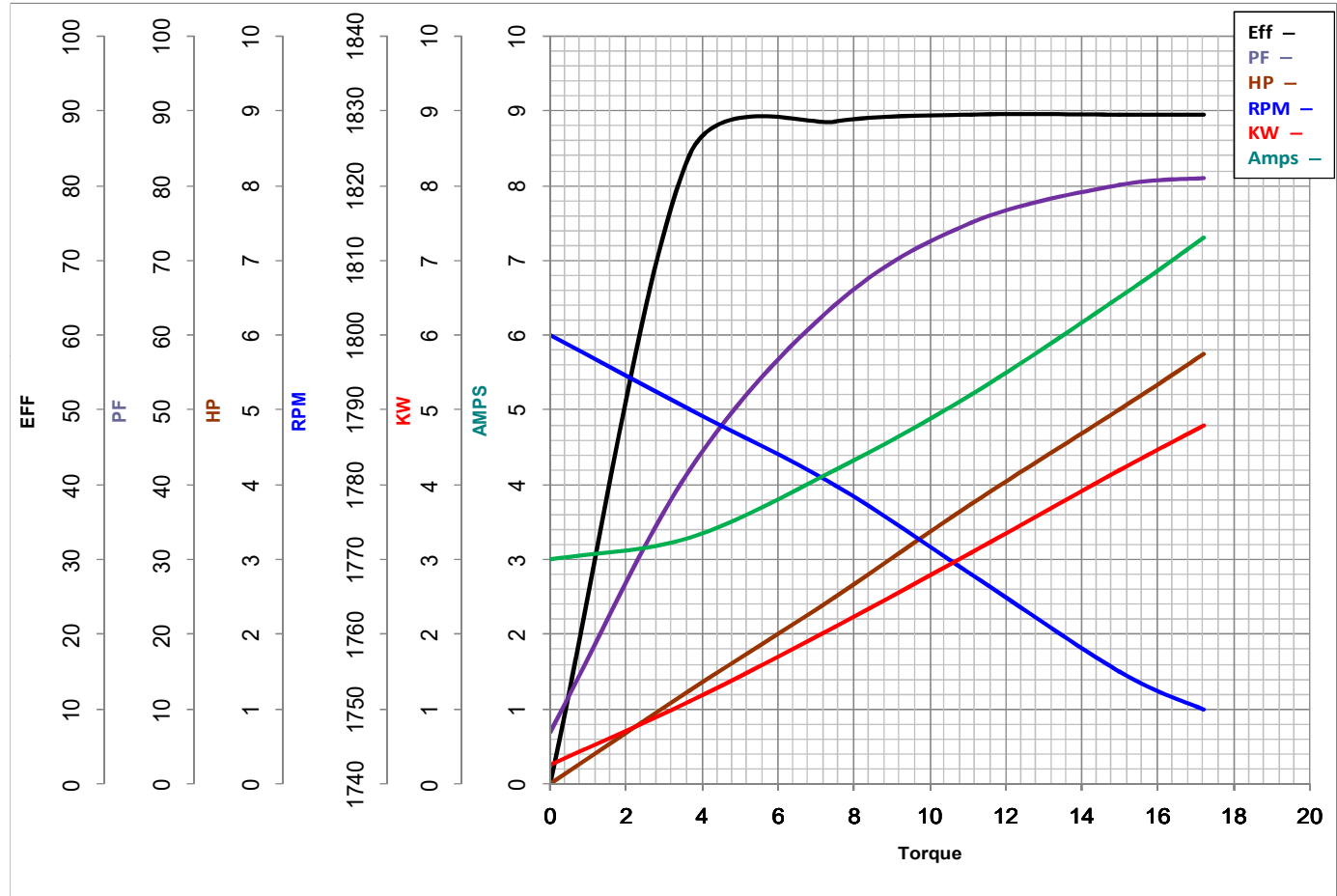
| |
|--|
| INVERTER TORQUE: CONSTANT 10:1/VARIABLE 10:1 INV. HP SPEED RANGE: NONE |
| ENCODER: NONE NONE NONE NONE NONE PPR |
| BRAKE: NONE NONE NONE P/N NONE NONE NONE NONE FT-LB NONE V NONE Hz |

PREPARED BY: Dinesh
Suddula **DATE:**
02/14/2019 01:05:44 AM
FORM 3531 REV.3 02/07/99
** Subject to change without notice.



MARATHON ELECTRIC CORPORATION
TYPICAL PERFORMANCE CURVE for AC MOTOR

Customer _____ Curve at 460 Volts HP 5&3 PHASE 3
 Model No 184TTFB6037 60 HZ
5 HP VOLTS 230/460&190/380
 Catalog No GT3413A HZ 60&50 RPM 1755&1462



| | | | |
|-----------------------------|--|-----------------------------|--|
| FL TORQUE <u>15</u> Lb.Ft | | FL AMPS <u>13/6.5</u> | |
| BD TORQUE <u>42.0</u> Lb.Ft | | PU TORQUE <u>27.0</u> Lb.Ft | |
| LR TORQUE <u>33</u> Lb.Ft | | LR AMPS <u>49.5</u> | |
| WINDING HE31124020-3 | | Date 1/7/2019 | |

EC Declaration of Conformity

The undersigned representing
the manufacturer:

Regal Beloit America
100 East Randolph St.
Wausau, WI 54401

and the authorized representative
established within the Community:

Marathon Electric UK
6F Thistleton Road Ind. Estate
Market Overton
Oakham, Rutland LE15 7PP UK

are committed to providing customers with products that comply with applicable regulations and international protocols to which they are subject, including the requirements of the European Parliament Directive on the Harmonization of the laws relating to electrical equipment designed for use within certain voltage limits (2014/35/EU).

Regal Beloit America declares that the following product(s), to which this declaration relates, are in conformity with the relevant sections of the EC standards listed below.

This statement supersedes any statements previously issued pertaining to the product(s) listed below and is subject to change without notice.

Model No : 184TTFBD6037

(Model No. may contain prefix and/or suffix characters)

Catalog No : GT3413A

Rework No : N/A

Directives :

Low Voltage Directive 2014/35/EU

Harmonized Standards Used :

EN 60034-1: 2010 (IEC 60034-1: 2010)

EN 60034-5: 2001/A1:2007 (IEC 60034-5: 2000/A1:2006)

Authorized Representative:



Michael A. Logsdon
Vice President, Technology

Created on 09/01/2022

Authorized Representative in the Community:



Julian Clark
Marketing Engineer

CE 22