

PRODUCT INFORMATION PACKET

Model No: 256TTFC6012

Catalog No: GT3424A

Close-Coupled Pump Motor, 20 HP, 3 Ph, 60 Hz, 230/460 V, 3600 RPM, 256JP Frame, TEFC



Regal and are trademarks of Regal Rexnord Corporation or one of its affiliated companies.
©2022 Regal Rexnord Corporation, All Rights Reserved. MC017097E

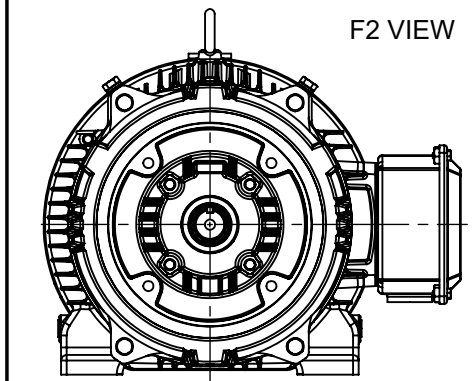
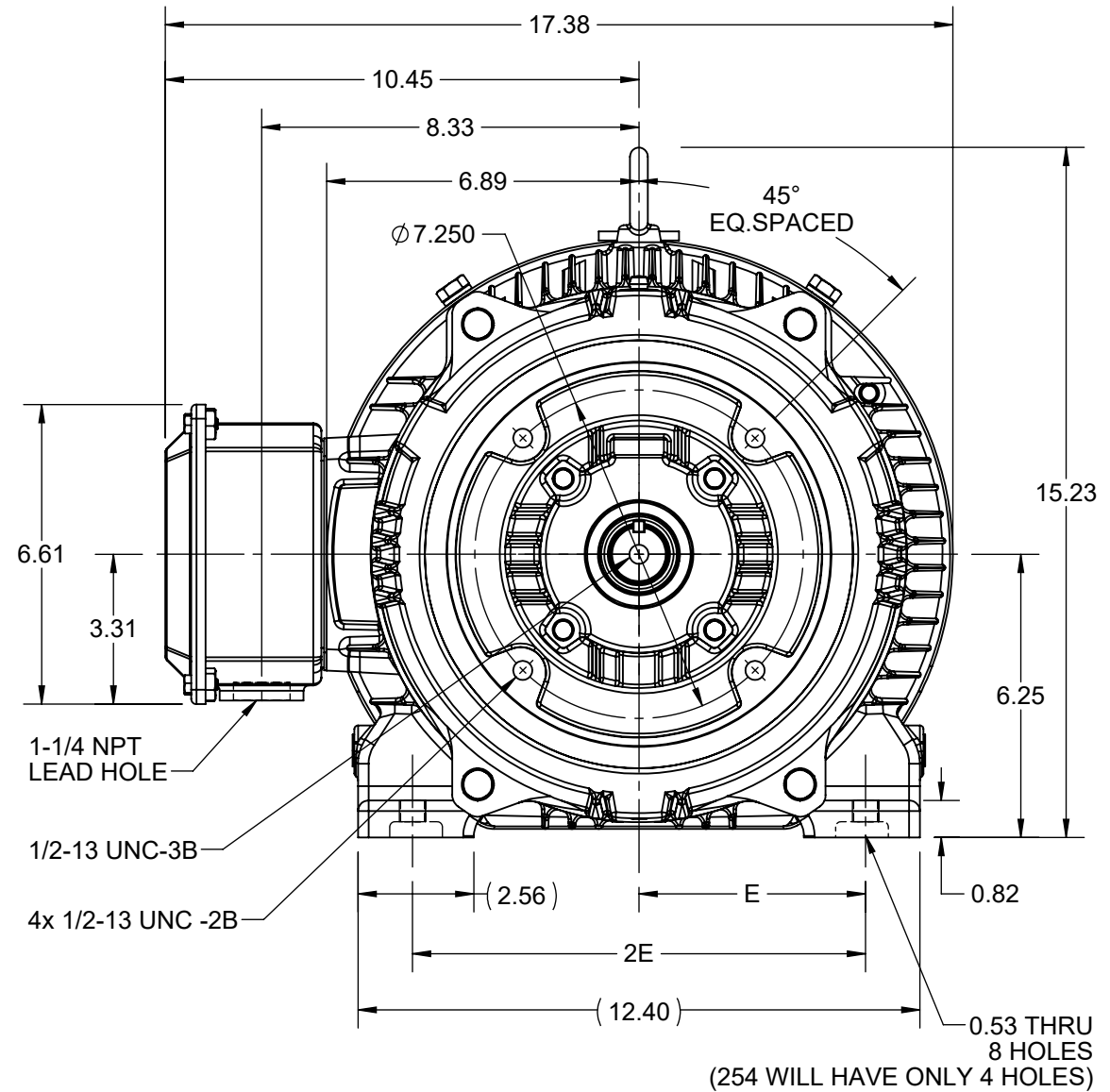
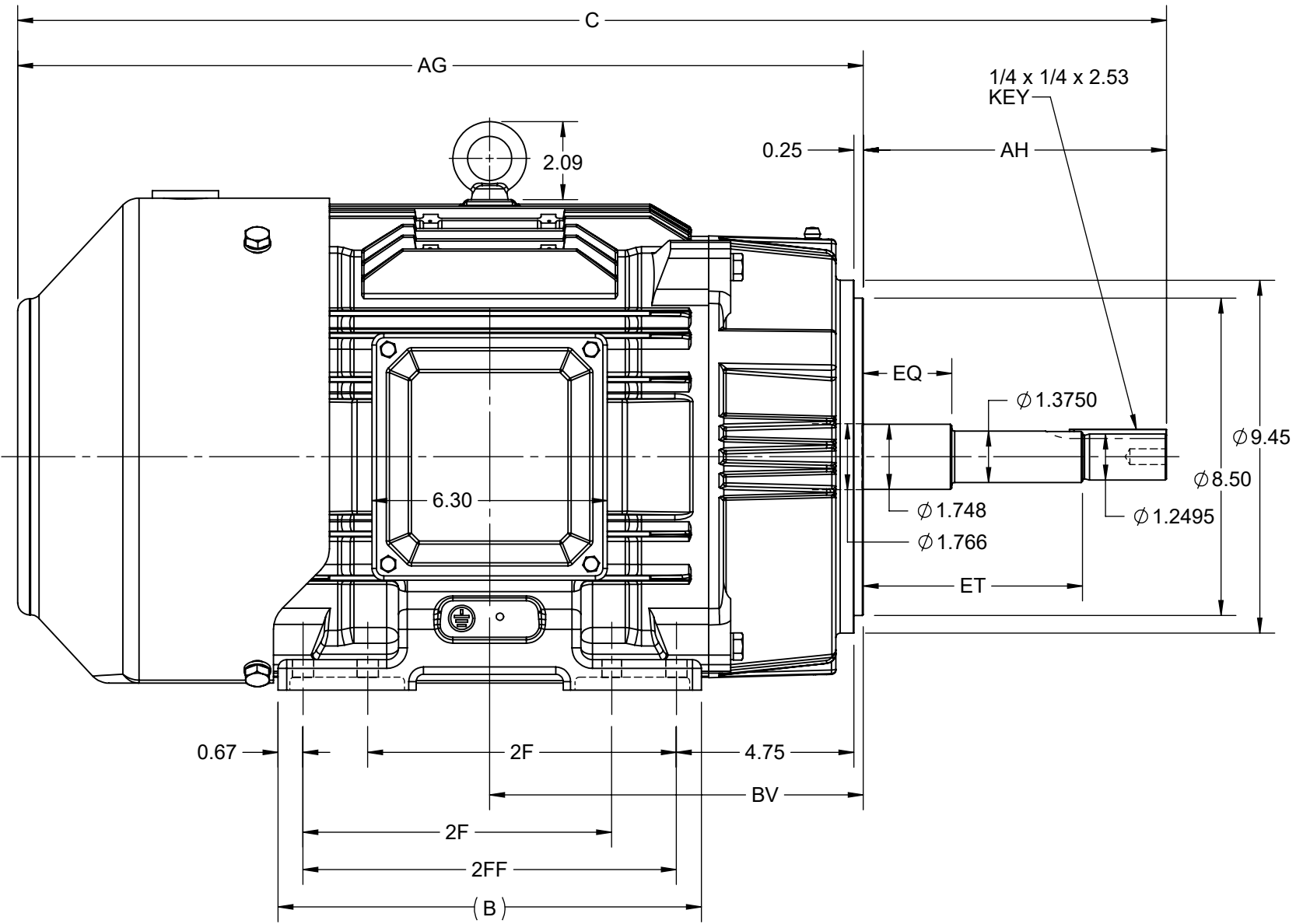
Nameplate Specifications

Output HP	20 Hp	Output KW	14.9 kW
Frequency	60 Hz	Voltage	230/460 V
Current	47.5/23.7 A	Speed	3540 rpm
Service Factor	1.15	Phase	3
Efficiency	91 %	Power Factor	87.5
Duty	Continuous	Insulation Class	F
Design Code	B	KVA Code	G
Frame	256JP	Enclosure	Totally Enclosed Fan Cooled
Thermal Protection	No Protection	Ambient Temperature	40 °C
Drive End Bearing Size	6309	Opp Drive End Bearing Size	6209
UL	Listed	CSA	Y
CE	Y	IP Code	55
Hazardous Location	DIVISION 2 T2B	Number of Speeds	1

Technical Specifications

Electrical Type	Squirrel Cage Inverter Rated	Starting Method	Line Or Inverter
Poles	2	Rotation	Reversible
Resistance Main	.546 Ohms	Mounting	Rigid Base
Motor Orientation	Horizontal	Drive End Bearing	Ball
Opp Drive End Bearing	Ball	Frame Material	Cast Iron
Shaft Type	JP	Overall Length	30.76 in
Frame Length	11.73 in	Shaft Diameter	1.375 in
Shaft Extension	8.37 in	Assembly/Box Mounting	F1/F2 CAPABLE
Inverter Load	CONSTANT 2:1/VARIABLE 10:1		
Outline Drawing	SS620809-200	Connection Drawing	EE7308K

DASH NO.	4				3				2				1
	B	C	E	2E	2F	2FF	AG	AH	BV	EQ	ET	MOUNTING	FRAME
100	9.60	29.03	5.00	10.00	---	8.50	20.91	8.121	9.14	2.37	5.87	F1 OR F2	254JP
200	11.34	30.76			8.50	10.00	22.64		10.00				254/256JP



DRAWING REVISION C	REVISION BY VS	REV DATE/© DATE 11-02-2021
ECO CR-0000461	APPROVED BY GNK	DATE 11-02-2021
ECO DESCRIPTION DRAWING UPDATED		
<small>COPYRIGHT (PER REVISION DATE) REGAL BELOIT AMERICA, INC. ALL RIGHTS RESERVED. PROPRIETARY AND CONFIDENTIAL INFORMATION - THIS DOCUMENT IS THE PROPERTY OF REGAL BELOIT AMERICA, INC. ("OWNER") AND CONTAINS OWNER'S PROPRIETARY INFORMATION. ANY PERSON, CORPORATION OR OTHER FIRM RECEIVING IT IS DEEMED, BY RECEIVING IT, TO AGREE THAT IT, AND/OR ANY PART OF IT, SHALL NOT BE DISCLOSED TO ANY PERSON, CORPORATION OR OTHER ENTITY, DUPLICATED, AND/OR USED, EXCEPT AS EXPRESSLY APPROVED IN WRITING IN ADVANCE BY OWNER. THIS DOCUMENT SHALL BE RETURNED TO OWNER UPON REQUEST. IT MAY BE SUBJECT TO CERTAIN RESTRICTIONS UNDER APPLICABLE EXPORT CONTROL LAWS AND REGULATIONS.</small>		

PRIMARY DIMENSIONS ARE INCH
mm DIMENSIONS IN [BRACKETS]
ARE FOR REFERENCE ONLY

DRAWN BY SN	REGAL ® Regal Beloit America, Inc.
DATE 12/04/2017	
APPROVED BY SBD	DESCRIPTION OUTLINE
DATE 12/04/2017	254/256 JP FR NEMA TEFC-CAST IRON
REFERENCE	MATERIAL PROCESS/FINISH
THIRD ANGLE PROJECTION	SIZE B
	DRAWING NUMBER SS620809
	SHEET 1 OF 1


LOW VOLTAGE



HIGH VOLTAGE



VIEW OF TERMINAL END

				TOLERANCES UNLESS SPECIFIED		 REGAL - BELOIT CORPORATION	DRAWN PGK 06-04-1997			
NO.	REVISION	BY & DATE	CHK	ANG	±		UNIT	CHK	ML 06-05-1997	
E	CORRECTED IEC MARKINGS	ECO-0111208	WGJ	01-23-2017	EMH	DEC.	INCHES	APPD	GK 06-15-1997	
D	RE-DRAWN WITH REGAL LOGO	ECO-0110493	WGJ	09-30-2016	EMH	.X	±.1			
8	ADDED IEC DESIGNATIONS	MU95020	TJW	4/30/2010	MJS	.XX	±.02	TITLE CONNECTION DIAGRAM		
7	REVISED HIGH VOLTAGE L2 WAS L3	CN52600-354	MRB	09-21-1998		.XXX	±.005	SCALE		
6	REDRAWN ON CADD		PGK	06-05-1997		.XXXX	±.0005	REF		
								MAT'L.		
								FINISH		
								PREV		
THIS DRAWING IN DESIGN AND DETAIL IS OUR PROPERTY AND MUST NOT BE USED EXCEPT IN CONNECTION WITH OUR WORK ALL RIGHTS OF DESIGN AND INVENTION ARE RESERVED THIS IS AN ELECTRONICALLY GENERATED DOCUMENT - DO NOT SCALE THIS PRINT					RFP	CAD FILE EE7308K		SIZE	DRAWING NO. PAGE OF	REV.
					DIST			A	EE7308K	E



**P.O. BOX 8003
WAUSAU, WI 54401-8003
PH. 715-675-3311**

CERTIFICATION DATA SHEET

CUSTOMER:

CUSTOMER PO#:

ORDER #:

MODEL #: 256TTFCD6012 AA

CONN. DIAGRAM: EE7308K

CUSTOMER PART #:

OUTLINE: SS620809

MOUNTING: F1/F2 CAPABLE

WINDING #: HE31602007 2

TYPICAL MOTOR PERFORMANCE DATA

HP	kW	SYNC. RPM	F.L. RPM	FRAME	ENCLOSURE	KVA CODE	DESIGN
20&15	14.9&11.2	3600	3540&2945	256JP	TEFC	G	B

PH	Hz	VOLTS	AMPS	START TYPE	DUTY	INSL	S.F.	AMB°C
3	60/50	230/460&190/380	47.5/23.7&43.5/21.7	LINE OR INVERTER	CONTINUOUS	F7	1.15/1.15	40

FULL LOAD EFF:	91&90.2	3/4 LOAD EFF:	91	1/2 LOAD EFF:	89.5	GTD. EFF		ELEC. TYPE	
FULL LOAD PF:	87.5&87	3/4 LOAD PF:	84	1/2 LOAD PF:	76.5	90.2		SQ CAGE INV RATED	

F.L. TORQUE	LOCKED ROTOR AMPS	L.R. TORQUE	B.D. TORQUE	F.L. RISE°C
29.7 LB-FT	286 / 143	49 LB-FT 165 %	74 LB-FT 249 %	60

SOUND PRESSURE @ 3 FT.	SOUND POWER	ROTOR WK^2	MAX. WK^2	SAFE STALL TIME	STARTS / HOUR	APPROX. MOTOR WGT
72 dBA	82 dBA	1.35 LB-FT^2	- LB-FT^2	20 SEC.	2	435 LBS.

***** SUPPLEMENTAL INFORMATION *****

DE BRACKET TYPE	ODE BRACKET TYPE	MOUNT TYPE	ORIENTATION	SEVERE DUTY	HAZARDOUS LOCATION	DRIP COVER	SCREENS	PAINT
C-FACE	STANDARD	RIGID	HORIZONTAL	FALSE	DIVISION 2 T2B	FALSE	NONE	BLUE (ENAMEL)

BEARINGS		GREASE	SHAFT TYPE	SPECIAL DE	SPECIAL ODE	SHAFT MATERIAL	FRAME MATERIAL
DE	ODE						
BALL	BALL	POLYREX EM	JP	NONE	NONE	1045 HOT ROLLED (C-204)	CAST IRON
6309	6209						

THERMO-PROTECTORS				THERMISTORS	CONTROL	SPACE HEATERS
THERMOSTATS	PROTECTORS	WDG RTDs	BRG RTDs			
NONE	NOT	NONE	NONE	NONE	FALSE	NONE VOLTS

*
N
O
T
E
S
*

INVERTER TORQUE: CONSTANT 20:1/VARIABLE 20:1 INV. HP SPEED RANGE: NONE
ENCODER: NONE NONE NONE NONE NONE PPR
BRAKE: NONE NONE NONE P/N NONE NONE NONE NONE FT-LB NONE V NONE Hz

PREPARED BY: Fareeda Dudekula
DATE: 05/04/2018 05:03:27 AM
FORM 3531 REV.3 02/07/99
** Subject to change without notice.

MARATHON ELECTRIC CORPORATION

TYPICAL PERFORMANCE CURVE for AC MOTOR

Customer

Curve at

460

Volts

HP 20&15

PHASE 3

Model No 256TTFC6012

60

HZ

VOLTS 230/460&190/380

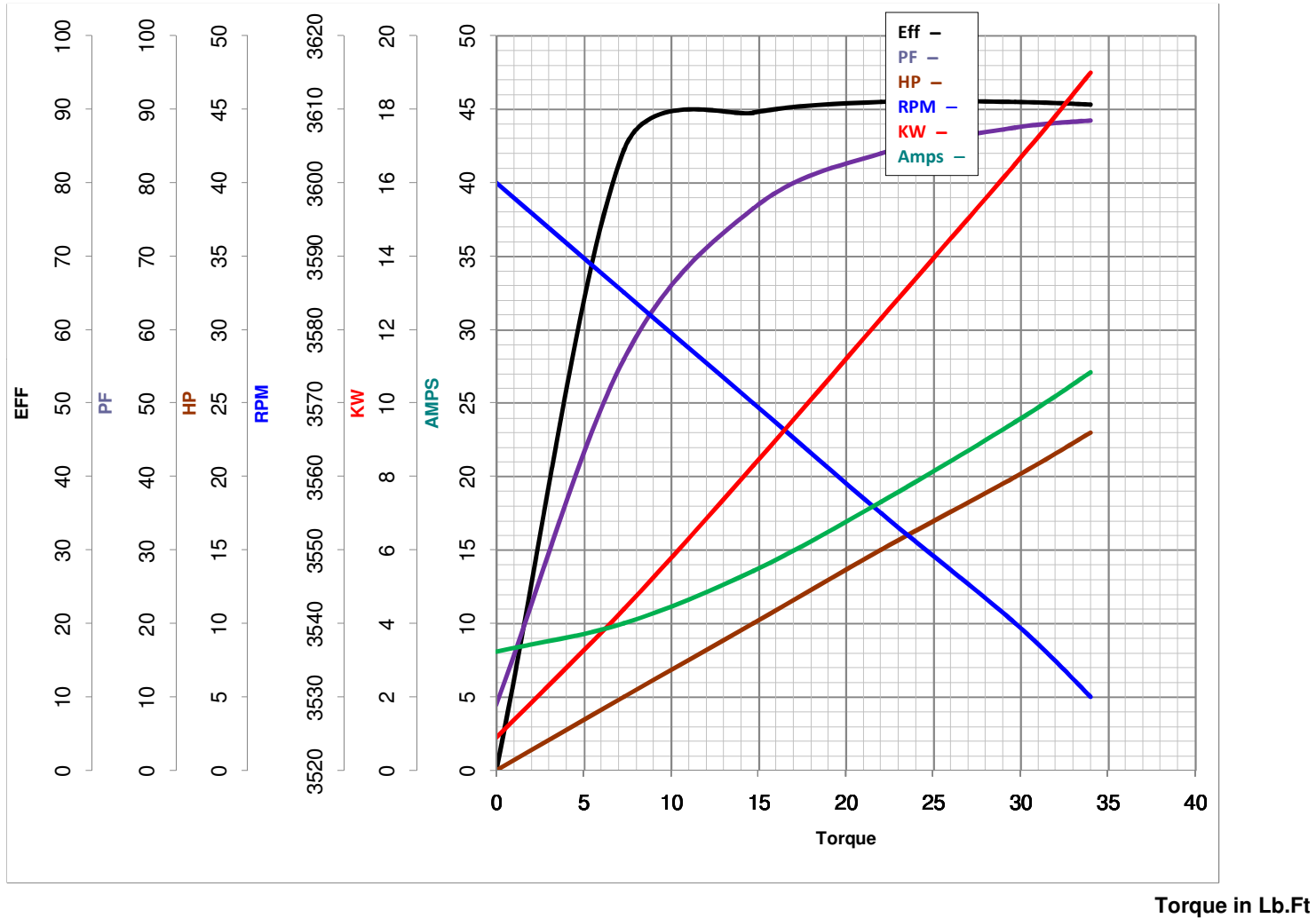
20

HP

Catalog No GT3424A

HZ 60&50

RPM 3540&2945



FL TORQUE 29.7 Lb.Ft
 BD TORQUE 74.0 Lb.Ft
 LR TORQUE 49 Lb.Ft

FL AMPS 47.5/23.7
 PU TORQUE 41.0 Lb.Ft
 LR AMPS 143

WINDING HE31602007-2 Prepared By FAREEDA

Date 5/4/2018

EC Declaration of Conformity

The undersigned representing
the manufacturer:

Regal Beloit America
100 East Randolph St.
Wausau, WI 54401

and the authorized representative
established within the Community:

Marathon Electric UK
6F Thistleton Road Ind. Estate
Market Overton
Oakham, Rutland LE15 7PP UK

are committed to providing customers with products that comply with applicable regulations and international protocols to which they are subject, including the requirements of the European Parliament Directive on the Harmonization of the laws relating to electrical equipment designed for use within certain voltage limits (2014/35/EU).

Regal Beloit America declares that the following product(s), to which this declaration relates, are in conformity with the relevant sections of the EC standards listed below.

This statement supersedes any statements previously issued pertaining to the product(s) listed below and is subject to change without notice.

Model No : 256TTFCD6012

(Model No. may contain prefix and/or suffix characters)

Catalog No : GT3424A

Rework No : N/A

Directives :

Low Voltage Directive 2014/35/EU

Harmonized Standards Used :

EN 60034-1: 2010 (IEC 60034-1: 2010)

EN 60034-5: 2001/A1:2007 (IEC 60034-5: 2000/A1:2006)

Authorized Representative:



Michael A. Logsdon
Vice President, Technology

Authorized Representative in the Community:



Julian Clark
Marketing Engineer

Created on 09/01/2022

CE 22