

# PRODUCT INFORMATION PACKET

Model No: 143TTDBD6428

Catalog No: GT6004

Globetrotter® General Purpose Motor, 1 HP, 3 Ph, 60 Hz, 208-230/460 V, 1800 RPM, 143T Frame, DP



Regal and Marathon are trademarks of Regal Rexnord Corporation or one of its affiliated companies.

©2022 Regal Rexnord Corporation, All Rights Reserved. MC017097E



### Nameplate Specifications

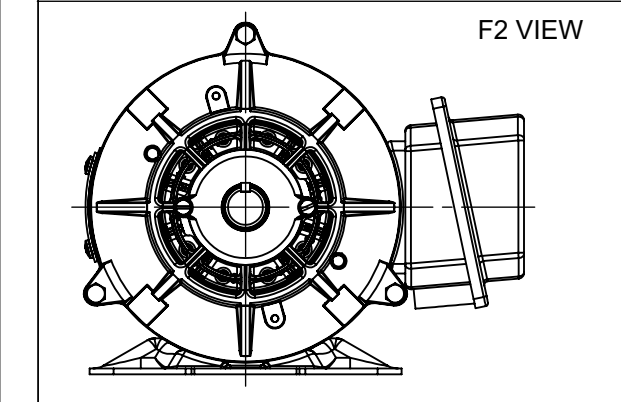
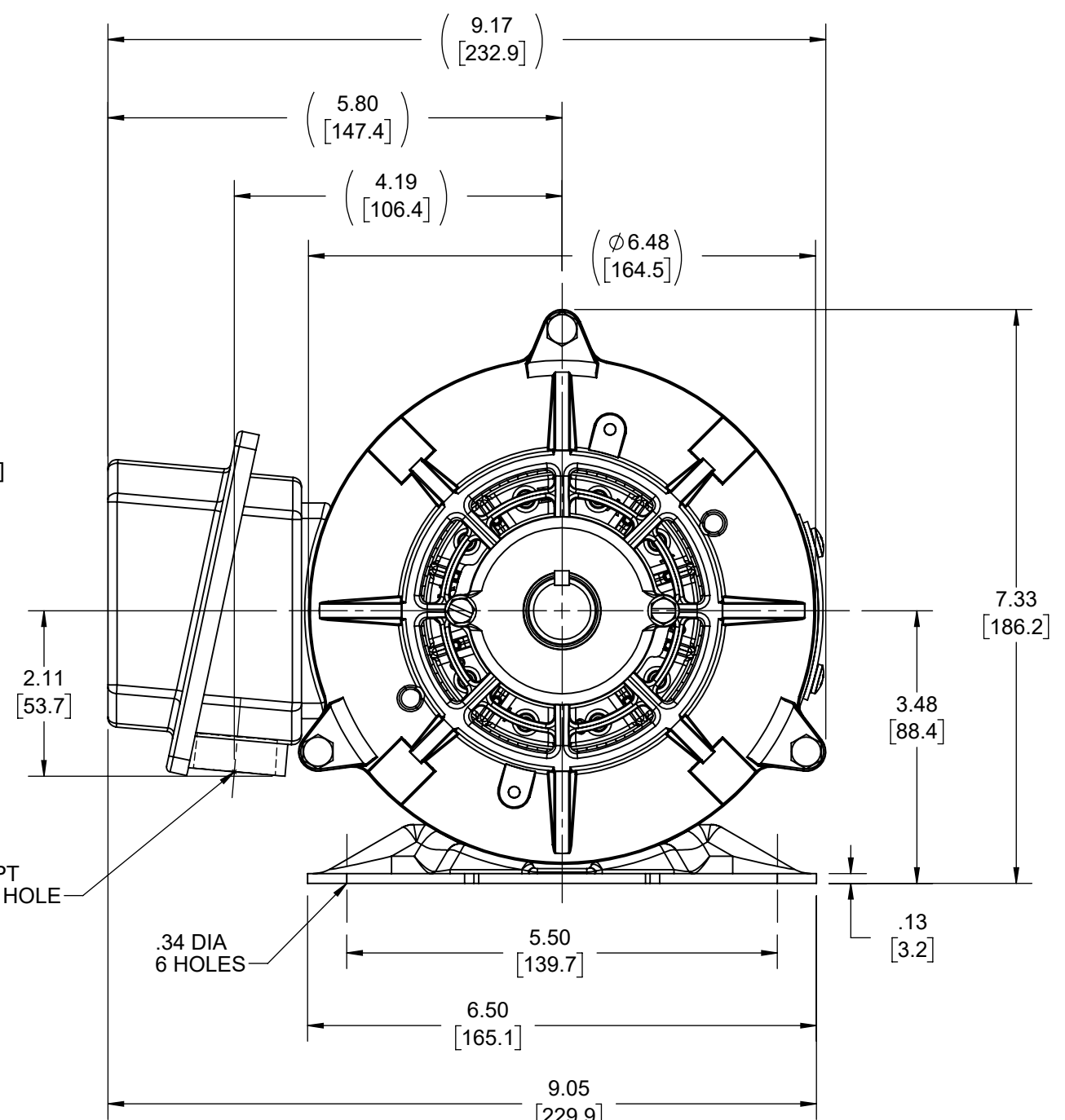
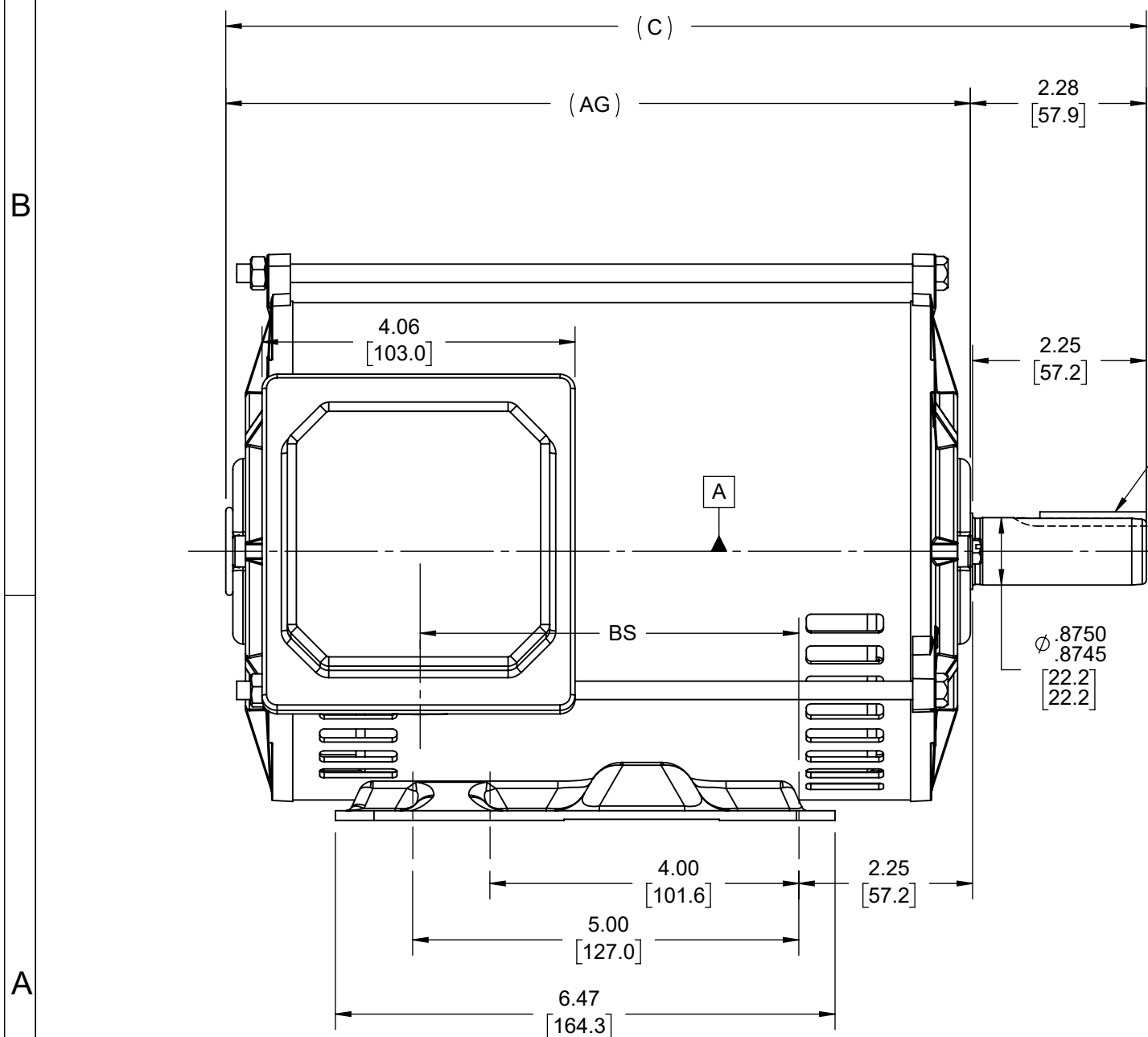
Output HP	1 Hp	Output KW	0.75 kW
Frequency	60 Hz	Voltage	208-230/460 V
Current	3.2-3.0/1.5 A	Speed	1755 rpm
Service Factor	1.15	Phase	3
Efficiency	85.5 %	Power Factor	73
Duty	Continuous	Insulation Class	F
Design Code	B	KVA Code	N
Frame	143T	Enclosure	Drip Proof
Thermal Protection	Thermostat	Ambient Temperature	40 °C
Drive End Bearing Size	6205	Opp Drive End Bearing Size	6205
UL	Recognized	CSA	Y
CE	Y	IP Code	22
Number of Speeds	1		

### Technical Specifications

Electrical Type	Squirrel Cage Inverter Rated	Starting Method	Line Or Inverter
Poles	4	Rotation	Reversible
Resistance Main	14.1 Ohms	Mounting	Bolt-on Base
Motor Orientation	Horizontal	Drive End Bearing	Ball
Opp Drive End Bearing	Ball	Frame Material	Rolled Steel
Shaft Type	T	Shaft Diameter	0.875 in
Assembly/Box Mounting	F1/F2 CAPABLE	Inverter Load	CONSTANT 2:1/VARIABLE 10:1
Connection Drawing	EE7308T	Outline Drawing	SS621067-800

This is an uncontrolled document once printed or downloaded and is subject to change without notice. Date Created:11/30/2022

DASH NO	"C"	"AG"	"BS"
800	11.92 [302.77]	9.64 [244.86]	4.91 [124.71]
850	12.42 [315.47]	10.14 [257.56]	5.41 [137.42]



DRAWING REVISION D	REVISION BY JP	REV DATE/© DATE 28/09/2021	TOLERANCES (EXCEPT AS NOTED): DEC. INCH mm ANGLE .X ±0.1 [±3] ±7' 30" .XX ±0.03 [±0.8] .XXX ±0.005 [±0.13] .XXXX ±0.0005 [±0.013]		DRAWN BY SAS	<b>REGAL</b> ® Regal Beloit America, Inc.		
ECO CR-0004630	APPROVED BY GNK	DATE 28/09/2021	REMOVE BURRS & BREAK SHARP EDGES: .003/.015 [08/.38] X 45° CORNER FILLETS: R.02 [5] MACHINED SURFACES: 200 INCH/mm 5.1 mm DIMENSIONS IN [BRACKETS] ARE FOR REFERENCE ONLY		DATE 09/14/2020		DESCRIPTION <b>OUTLINE</b> 143/145T FR-DP-RS	
ECO DESCRIPTION <b>F2 VIEW ADDED</b> COPYRIGHT (PER REVISION DATE) REGAL BELOIT AMERICA, INC. ALL RIGHTS RESERVED. PROPRIETARY AND CONFIDENTIAL INFORMATION - THIS DOCUMENT IS THE PROPERTY OF REGAL BELOIT AMERICA, INC. ("OWNER") AND CONTAINS OWNER'S PROPRIETARY INFORMATION. ANY PERSON, CORPORATION OR OTHER FIRM RECEIVING IT IS DEEMED, BY RECEIVING IT, TO AGREE THAT IT, AND/OR ANY PART OF IT, SHALL NOT BE DISCLOSED TO ANY PERSON, CORPORATION OR OTHER ENTITY, DUPLICATED, AND/OR USED, EXCEPT AS EXPRESSLY APPROVED IN WRITING IN ADVANCE BY OWNER. THIS DOCUMENT SHALL BE RETURNED TO OWNER UPON REQUEST. IT MAY BE SUBJECT TO CERTAIN RESTRICTIONS UNDER APPLICABLE EXPORT CONTROL LAWS AND REGULATIONS.					APPROVED BY CD	MATERIAL	PROCESS/FINISH	
					THIRD ANGLE PROJECTION	SIZE <b>B</b>	DRAWING NUMBER <b>SS621067</b>	SHEET 1 OF 1

**HIGH VOLTAGE**



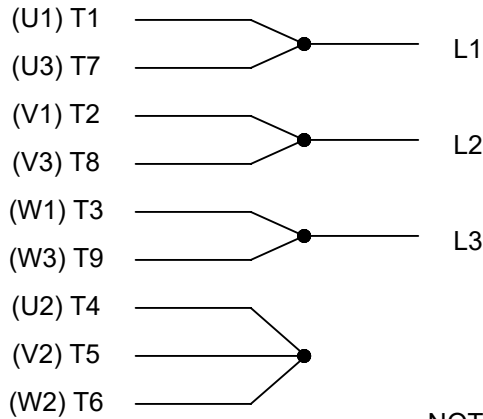
**THREE PHASE  
DUAL VOLTAGE MOTOR**

THERMO-PROTECTORS  
CONNECTED IN SERIES



NOTE FOR FACTORY USE ONLY:  
TO SURGE TEST FOR COMMON CONNECT:  
HIGH VOLT: CONNECT P1 TO T1  
THEN P2 TO L1  
LOW VOLT: CONNECT P1 TO T1 & T7,  
THEN P2 TO L1

**LOW VOLTAGE**



**VIEW OF TERMINAL END**

NOTE: LEAD'S COLOR CAN BE YELLOW OR WHITE FOR MT2 PLANT

DRAWING REVISION T	REVISION BY ZR	DATE 01-14-2019		DRAWN BY SMC	Regal Beloit America, Inc.
ECO ECO-0159915	APPROVED BY DR	DATE 01-15-2019		DATE 05-13-1992	
ECO DESCRIPTION <b>ADDED TERMINAL CONNECTION DIAGRAM</b>				APPROVED BY TB	DESCRIPTION <b>CONN DIAGRAM-INTERNAL</b> 3 PHASE - DUAL VOLTAGE MOTOR
<small>COPYRIGHT REGAL BELOIT AMERICA, INC. ALL RIGHTS RESERVED. PROPRIETARY AND CONFIDENTIAL INFORMATION - THIS DOCUMENT IS THE PROPERTY OF REGAL BELOIT AMERICA, INC. ("OWNER") AND CONTAINS OWNER'S PROPRIETARY INFORMATION. ANY PERSON, CORPORATION OR OTHER FIRM RECEIVING IT IS DEEMED, BY RECEIVING IT, TO AGREE THAT IT, AND/OR ANY PART OF IT, SHALL NOT BE DISCLOSED TO ANY PERSON, CORPORATION OR OTHER ENTITY, DUPLICATED, AND/OR USED, EXCEPT AS EXPRESSLY APPROVED IN WRITING IN ADVANCE BY OWNER. THIS DOCUMENT SHALL BE RETURNED TO OWNER UPON REQUEST. IT MAY BE SUBJECT TO CERTAIN RESTRICTIONS UNDER APPLICABLE EXPORT CONTROL LAWS AND REGULATIONS.</small>			DATE 05-13-1992	MATERIAL	PROCESS/FINISH
			REFERENCE EE7308/EE7300	SIZE A	DRAWING NUMBER EE7308T
			THIRD ANGLE PROJECTION		



P.O. BOX 8003  
 WAUSAU, WI 54401-8003  
 PH. 715-675-3311

DATA VOLTS: 460

**CERTIFICATION DATA SHEET**

CUSTOMER: \_\_\_\_\_  
 ORDER #: \_\_\_\_\_  
 CONN. DIAGRAM: EE7308T  
 OUTLINE: A-SS621067-800  
 WINDING: HAT4001 NONE 1  
 SPEED: \_\_\_\_\_

CUSTOMER P.O. #: \_\_\_\_\_  
 REFERENCE MODEL #: 143TTDBD6428  
 CAT #: GT6004  
 CUSTOMER PART #: \_\_\_\_\_  
 MOUNTING: F1 ONLY

**TYPICAL MOTOR PERFORMANCE DATA**

HP	KW	SYNC RPM	FL RPM	FRAME	ENCLOSURE	TYPE	KVA CODE	DESIGN
1	0.75	1800	1755	143T	DP	TDR	N	B

PH	HZ	VOLTS	AMPS	START TYPE	DUTY	INSL	S.F.	AMB	ELEV.
3	60/50	208-230/460#190/380	3.2-3/1.5&3/1.5	ACROSS THE LINE	CONT	F	1.15	40	3300

F.L. EFF	85.5	3/4 LD EFF	84.0	1/2 LD EFF	78.5	GTD EFF	ELECT. TYPE
F.L. PF	73.0	3/4 LD PF	64.0	1/2 LD PF	51.0	81.5	SQ CAGE IND RUN

F.L. TORQUE	LR AMPS @ 460 V	L.R. TORQUE	B.D. TORQUE	F.L. RISE (° C)
3.0 LB-FT	15.0	11.0 LB-FT	367%	14.0 LB-FT 467%

SOUND PRESSURE @ 3 FT.	SOUND	POWER	ROTOR WK <sup>2</sup>	MAX. LOAD WK <sup>2</sup>	SAFE STALL TIME	STARTS/HOUR	APROX.	MOTOR WGT
56 dBA	65 dBA		0.10 LB-FT <sup>2</sup>	7 LB-FT <sup>2</sup>	15 SEC.	3	38 LB.	

**\*\*\* SUPPLEMENTAL INFORMATION \*\*\***

DE BRACKET TYPE	ODE BRACKET TYPE	MOUNT TYPE	MOTOR ORIENTATION	SEVERE DUTY	HAZARDOUS LOCATION	DRIP COVER	SCREENS	PAINT
STANDARD HUBLESS	STANDARD	BOLT-ON	HORIZONTAL	NO	NONE	NO	NONE	BLUE (ENAMEL)

BEARINGS		GREASE	SHAFT TYPE	SPECIAL DE	SPECIAL ODE	SHAFT MATERIAL	FRAME MATERIAL
DE	ODE						
BALL	BALL	POLYREX EM	T	NONE	NONE	1045 HOT ROLLED (C-204)	ROLLED STEEL
6205	6205						

THERMOSTATS	PROTECTORS	WDG RTD's	BRG RTD's	THERMISTORS	CONTROL	SPACE HEATERS
TSTATS (NIC)	NOT	NONE	NONE	NONE	FALSE	NA

R1 (ohms/ph)	R2 (ohms/ph)	X1 (ohms/ph)	X2 (ohms/ph)	Xm (ohms/ph)	VIBRATION (in/sec)	FLOAT
8.508	5.672	10.777	9.642	262.33	0.150	ODE

* N O T E S *	INVERTER TORQUE: NONE					
	INV. HP SPEED RANGE: NONE					
	ENCODER: NONE					
	NONE NONE NONE PPR					

PREPARED BY: _____	BRAKE: NONE
DATE: 8/30/2021	NONE NONE
	FT-LB: NA
	VOLTAGE: NONE HZ:
FORM: 3531 REV. 4 2/27/06	UL: V - L1ME-INS.CONST UL REC.W/OVERHEAT PRT DEVICE

Data Sheet

Date: 8/30/2021  
 Customer: \_\_\_\_\_  
 Attention: \_\_\_\_\_  
 Submitted by: \_\_\_\_\_



143TTDBD6428

Submittal

Data @ 460 V

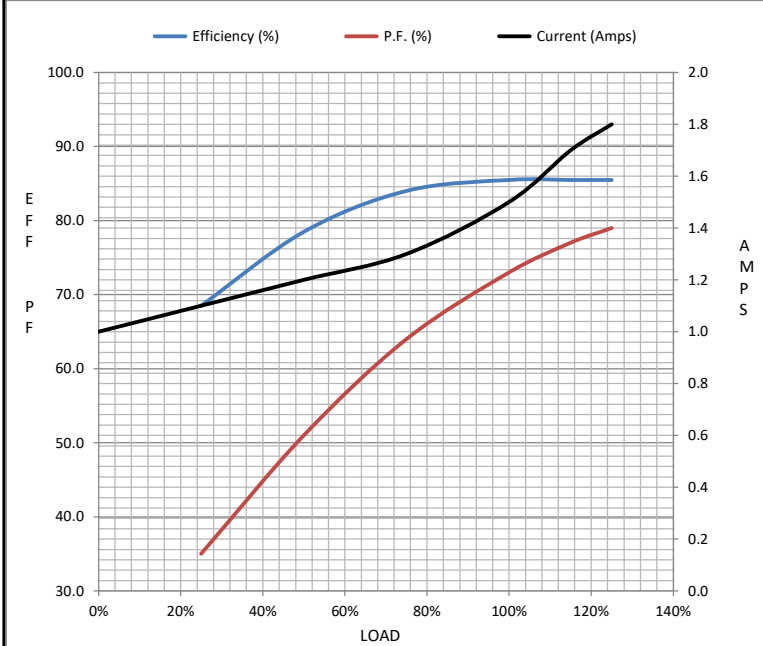
Motor Load Data

Load	0%	25%	50%	75%	100%	115%	125%	LR
Current (Amps)	1.00	1.10	1.20	1.30	1.50	1.70	1.80	15.0
Torque (ft-lb)	0.00	0.70	1.50	2.20	3.0	3.4	3.7	11.0
RPM	1800	1788	1775	1765	1755	1,745	1740	0
Efficiency (%)		68.5	78.5	84.0	85.5	85.5	85.5	
P.F. (%)	10.0	35.0	51.0	64.0	73.0	77.0	79.0	63.0

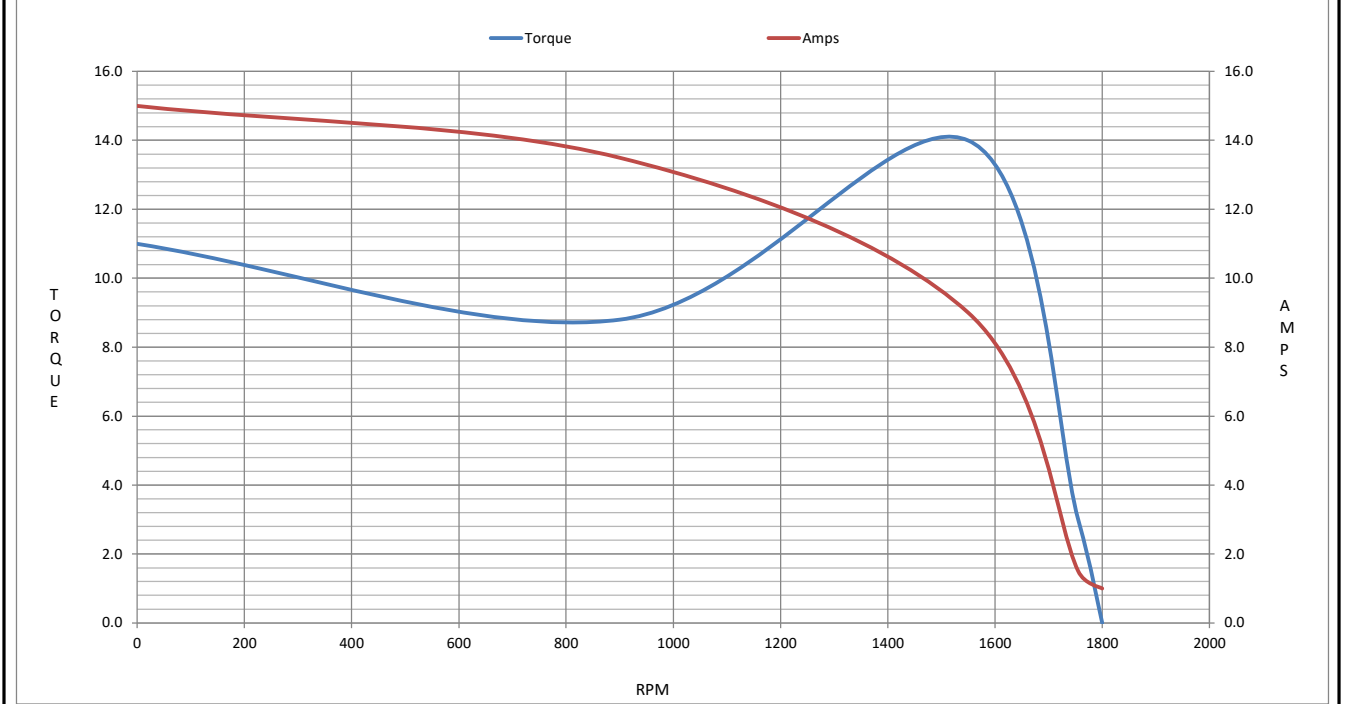
Motor Speed Data

	LR	Pull-Up	BD	Rated	Idle
Speed (RPM)	0	900	1550	1755	1800
Current (Amps)	15.0	13.5	9.0	1.50	1.00
Torque (ft-lb)	11.0	8.8	14.0	3.0	0.00

Information Block				
HP	1.0			
Sync. RPM	1800			
Frame	143			
Enclosure	DP			
Construction	TDR			
Voltage	208-230/460#190/380 V			
Frequency	60 Hz			
Design	B			
LR Code letter	N			
Service Factor	1.15			
Temp Rise @ FL	30 ° C			
Duty	CONT			
Ambient	40 ° C			
Elevation	3,300 feet			
Rotor/Shaft wk <sup>2</sup>	0.10 Lb-F <sup>2</sup>			
Ref Wdg	HAT4001 NONE			
Sound Pressure @ 1M	56 dBA			
VFD Rating	NONE			
Outline Dwg	A-SS621067-800			
Conn. Diag	EE7308T			
Additional Specifications:				
0				
0				
EQUIV CKT (OHMS / PHASE)				
R1	R2	X1	X2	Xm
8.5080	5.6720	10.7770	9.6420	262.3300



Speed - Torque Curve



## EC Declaration of Conformity

The undersigned representing  
the manufacturer:

Regal Beloit America  
100 East Randolph St.  
Wausau, WI 54401

and the authorized representative  
established within the Community:

Marathon Electric UK  
6F Thistleton Road Ind. Estate  
Market Overton  
Oakham, Rutland LE15 7PP UK

are committed to providing customers with products that comply with applicable regulations and international protocols to which they are subject, including the requirements of the European Parliament Directive on the Harmonization of the laws relating to electrical equipment designed for use within certain voltage limits (2014/35/EU).

Regal Beloit America declares that the following product(s), to which this declaration relates, are in conformity with the relevant sections of the EC standards listed below.

This statement supersedes any statements previously issued pertaining to the product(s) listed below and is subject to change without notice.

Model No : 143TTDBD6428

(Model No. may contain prefix and/or suffix characters)

Catalog No : GT6004

Rework No : N/A

Directives :

Low Voltage Directive 2014/35/EU

Harmonized Standards Used :

EN 60034-1: 2010 (IEC 60034-1: 2010)

EN 60034-5: 2001/A1:2007 (IEC 60034-5: 2000/A1:2006)

Authorized Representative:



Michael A. Logsdon  
Vice President, Technology

Authorized Representative in the Community:



Julian Clark  
Marketing Engineer

Created on 09/01/2022

**CE 22**