

DATE  
January 20, 2009  
CAT. #: HB0012C

# OUTLINE DIMENSIONS

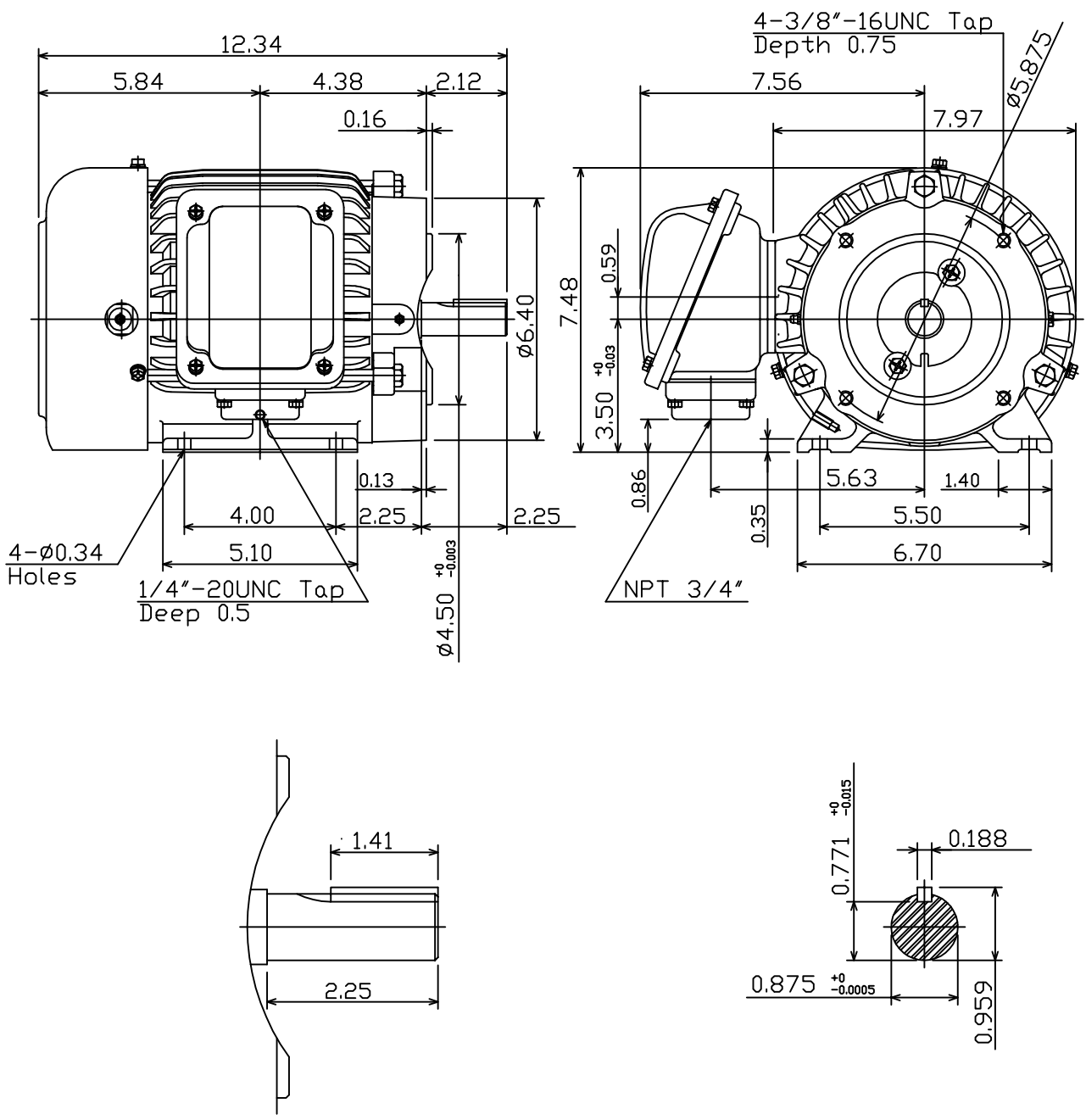
## 3-PHASE INDUCTION MOTOR

MOTOR TYPE:  
AEHH8B-CF  
FRAME NO. 143TC

Pole	HP	kW	Hz	VOLT	Syn.Speed r/min(rpm)
2	1	0.75	60	460	3600

Ins	Rating	Dimension in	Approx Weight	Bearings
F	CONT.	inches	59 lbs	DE: 6205ZC3 NDE: 6205ZC3

Totally Enclosed Fan-Cooled Type.Squirrel-Cage Rotor.



Note:  
1. With Inpro Seals On Both End.

$\diamond$		
------------	--	--

DWN.	????????	12 26 08
CHKD.	???????	01 14 09
APPD.	????????	01 14 09



DWG NO.  
31049M889150

# TECO Westinghouse

ISSUED <b>8/28/2014</b>	<b>PERFORMANCE DATA</b> <b>3-PHASE INDUCTION MOTOR</b>	ENCLOSURE <b>TEFC</b>
TYPE <b>AEHH8BCF</b>		CATALOG# <b>HB0012C</b>

### NAMEPLATE INFORMATION

OUTPUT		POLE	FRAME SIZE	VOLTAGE	HZ	RATED AMBIENT	INS. CLASS	NEMA DESIGN	TIME RATING	SERVICE FACTOR
HP	KW									
<b>1</b>	<b>0.7</b>	<b>2</b>	<b>143TC</b>	<b>460</b>	<b>60</b>	<b>50°C</b>	<b>F</b>	<b>B</b>	<b>CONT.</b>	<b>1.15</b>

### VARIABLE FREQUENCY DRIVE SERVICE

VARIABLE TORQUE				OHMS/PHASE EQUIVALENT WYE CIRCUIT (AT RATED OPERATING TEMPERATURE 25°C)				
HZ	HP	RPM	TORQUE (lb-ft)	R1	R2	X1	X2	X <sub>m</sub>
<b>3~60</b>	<b>0.0001~1</b>	<b>180~3600</b>	<b>0.003~1.515</b>	<b>8.549</b>	<b>11.116</b>	<b>11.693</b>	<b>15.938</b>	<b>378.29</b>

CONSTANT TORQUE				CONSTANT HORSEPOWER			
HZ	HP	RPM	TORQUE (lb-ft)	HZ	HP	RPM	TORQUE (lb-ft)
<b>6~60</b>	<b>.1~1</b>	<b>360~3600</b>	<b>1.515</b>	<b>60~120</b>	<b>1</b>	<b>3600~7200</b>	<b>1.515~0.7575</b>

### TYPICAL PERFORMANCE

FULL LOAD RPM	EFFICIENCY				POWER FACTOR			SOUND PRESSURE LEVEL @ 3 FT Db(A)
	FULL LOAD		3/4 LOAD %	1/2 LOAD %	FULL LOAD %	3/4 LOAD %	1/2 LOAD %	
	MIN.%	NOM.%						
<b>3465</b>	<b>80</b>	<b>82.5</b>	<b>81.5</b>	<b>78.5</b>	<b>85</b>	<b>79.5</b>	<b>68.5</b>	<b>49</b>

CURRENTS			NEMA KVA CODE LETTER	SAFE STALL TIME IN SECONDS	
NO LOAD	FULL LOAD	LOCKED ROTOR		COLD	HOT
AT 460 VOLT	AT 460 VOLT	AT 460 VOLT			
<b>0.68</b>	<b>1.34</b>	<b>15</b>	<b>N</b>	<b>17</b>	<b>12</b>

TORQUE				INERTIA			ACCEL TIME (DOL)		ALLOWABLE STARTS PER HOUR	
FULL LOAD (lb-ft)	LOCKED ROTOR %FLT	PULL UP %FLT	BREAK DOWN %FLT	ROTOR WR <sup>2</sup> (lb-ft <sup>2</sup> )	NEMA LOAD WK <sup>2</sup> (lb-ft <sup>2</sup> )	MAX ALLOWABLE WK <sup>2</sup> (lb-ft <sup>2</sup> )	NEMA LOAD WK <sup>2</sup> Sec	MAX ALLOWABLE WK <sup>2</sup> Sec	COLD	HOT
<b>1.52</b>	<b>350</b>	<b>365</b>	<b>400</b>	<b>0.046</b>	<b>1.2</b>	<b>5.3</b>	<b>2.78</b>	<b>11.91</b>	<b>2</b>	<b>1</b>

APPROVED:	<b>M. PRATER</b>	DRAWING NO.	<b>31057HB0012C</b>	REVISION:	<b>1</b>
-----------	------------------	-------------	---------------------	-----------	----------

DATE:  
May 18, 2009

# CONNECTION DIAGRAM

CATALOG #  
**HB0012C**



**SCHEMATIC - Y CONNECTION**

## ACROSS THE LINE CONNECTION



**460 VOLT CONNECTION**