

DATE
JUNE 17, 2011
CATALOG NO.
HB0208

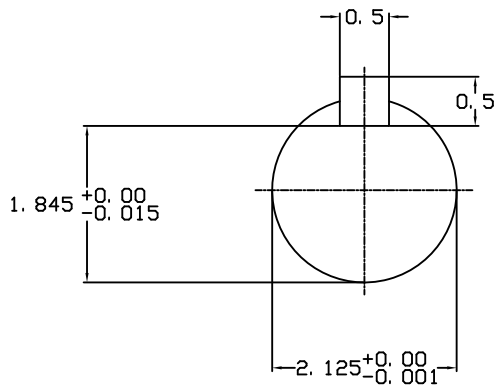
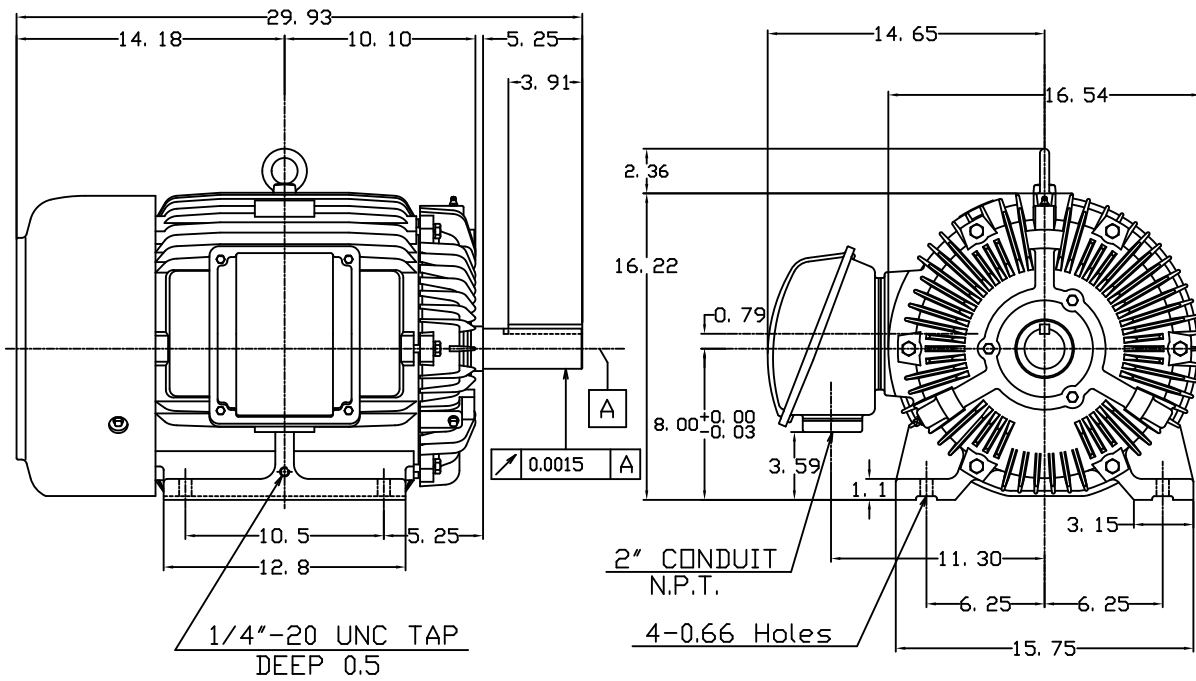
OUTLINE DIMENSIONS
3-PHASE INDUCTION MOTOR

MOTOR TYPE:
AEHH8B
FRAME NO. 324T

Pole	HP	KW	Hz	VOLT	Syn.Speed RPM
8	20	14.9	60	460	900

Ins	Rating	Dimension in	Approx Weight	Bearings
F	CONT.	inches	638 lbs.	DE:6312ZC35C NDE:6212ZC35C

Totally Enclosed Fan-Cooled Type, Squirrel-Cage Rotor.



① 03.16.00 J.C.LIN

DWN.	J.H.LIANG	11-30-98
CHKD.	C.H.KAO	12-26-98
APPD.	Y.B.HUANG	12-26-98

TECO Westinghouse

DWG NO.
31057HB208022

TECO Westinghouse

ISSUED 8/28/2014	PERFORMANCE DATA 3-PHASE INDUCTION MOTOR	ENCLOSURE TEFC
TYPE AEHH8B		CATALOG# HB0208

NAMEPLATE INFORMATION

OUTPUT		POLE	FRAME SIZE	VOLTAGE	HZ	RATED AMBIENT	INS. CLASS	NEMA DESIGN	TIME RATING	SERVICE FACTOR
HP	KW									
20	14.9	6	324T	460	60	50°C	F	B	CONT.	1.15

VARIABLE FREQUENCY DRIVE SERVICE

VARIABLE TORQUE				OHMS/PHASE EQUIVALENT WYE CIRCUIT (AT RATED OPERATING TEMPERATURE 25°C)				
HZ	HP	RPM	TORQUE (lb-ft)	R1	R2	X1	X2	X _m
3~60	0.0025~20	45~900	0.30~120	0.2409	0.3177	0.954	1.879	25.055

CONSTANT TORQUE				CONSTANT HORSEPOWER			
HZ	HP	RPM	TORQUE (lb-ft)	HZ	HP	RPM	TORQUE (lb-ft)
6~60	2~20	90~900	120	60~90	20	900~1350	120~80

TYPICAL PERFORMANCE

FULL LOAD RPM	EFFICIENCY			POWER FACTOR			SOUND PRESSURE LEVEL @ 3 FT Db(A)	
	FULL LOAD		3/4 LOAD %	1/2 LOAD %	FULL LOAD %	3/4 LOAD %		1/2 LOAD %
	MIN.%	NOM.%						
875	88.5	90.2	91	91	81	76	67	65

CURRENTS			NEMA KVA CODE LETTER	SAFE STALL TIME IN SECONDS	
NO LOAD	FULL LOAD	LOCKED ROTOR		COLD	HOT
AT 460 VOLT	AT 460 VOLT	AT 460 VOLT	G	29	20
10.6	25.6	145			

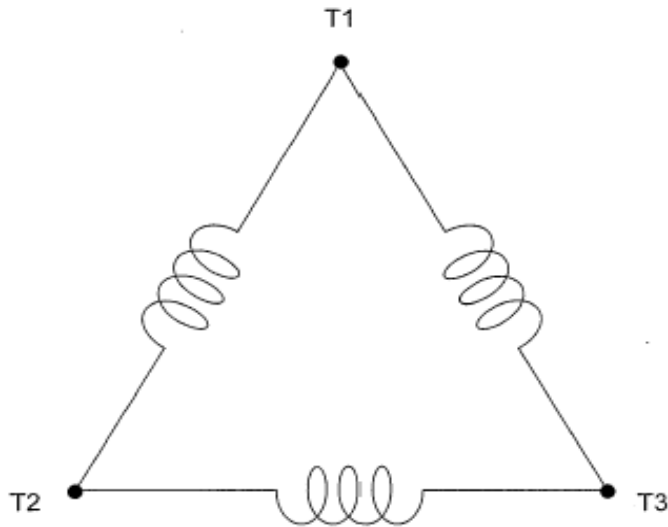
TORQUE			INERTIA			ACCEL TIME (DOL)		ALLOWABLE STARTS PER HOUR		
FULL LOAD (lb-ft)	LOCKED ROTOR %FLT	PULL UP %FLT	BREAK DOWN %FLT	ROTOR WR ² (lb-ft ²)	NEMA LOAD WK ² (lb-ft ²)	MAX ALLOWABLE WR ² (lb-ft ²)	NEMA LOAD WK ² Sec	MAX ALLOWABLE WK ² Sec	COLD	HOT
120	200	170	210	10.393	525	1001	6.73	12.71	2	1

APPROVED:	M. PRATER	DRAWING NO.	31057HB0208	REVISION:	0
-----------	------------------	-------------	--------------------	-----------	----------

DATE:
March 13, 2012

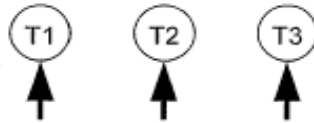
CONNECTION DIAGRAM

CATALOG NO.:
HB0208



SCHEMATIC - Δ CONNECTION

ACROSS THE LINE CONNECTION



460 VOLT CONNECTION