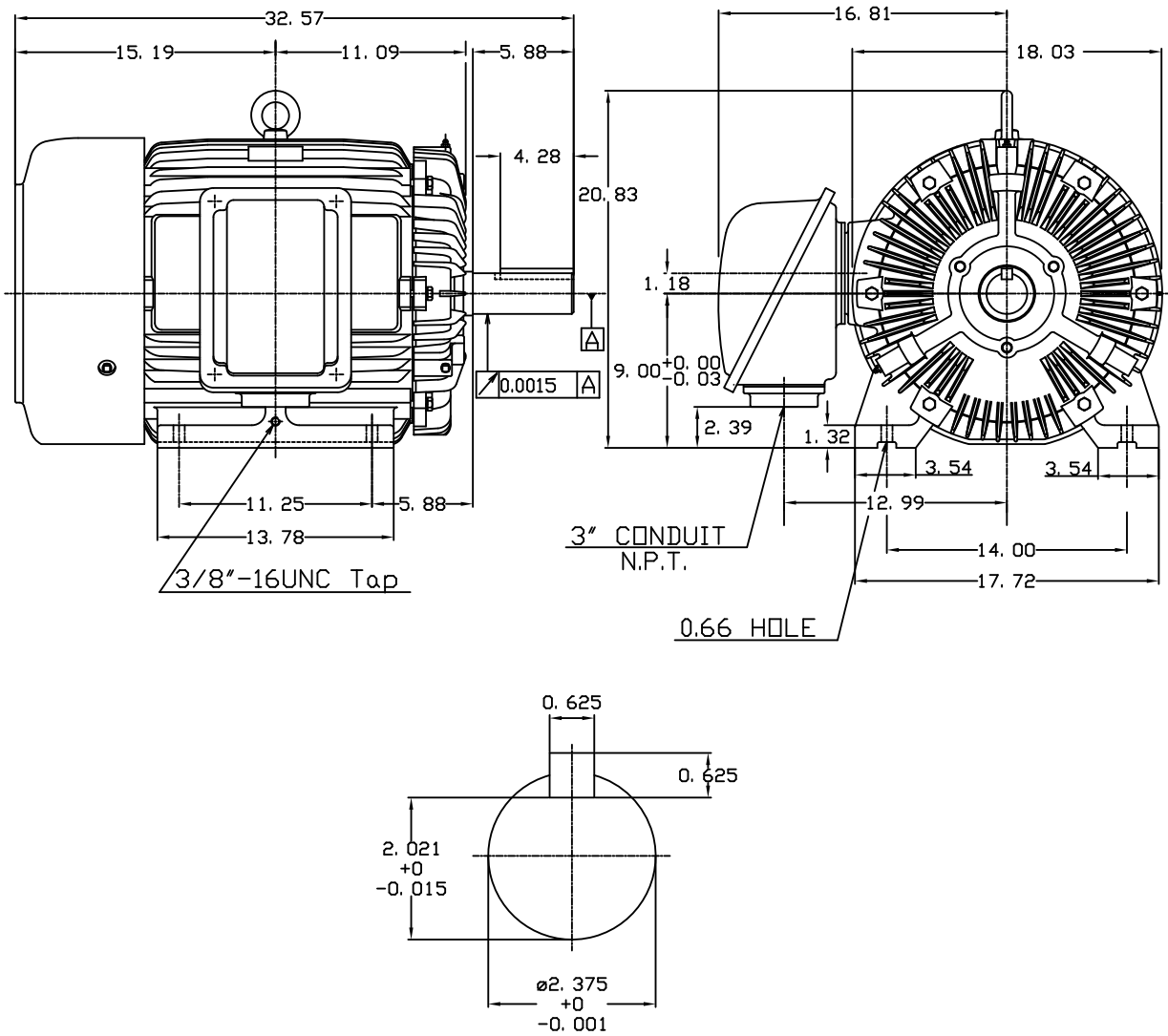


DATE APRIL 19, 2011	OUTLINE DIMENSIONS 3-PHASE INDUCTION MOTOR	MOTOR TYPE: AEHH8B
CATALOG NO. HB0308		FRAME NO. 364T

Pole	HP	KW	Hz	VOLT	Syn.Speed RPM
8	30	22.4	60	460	900

Ins	Rating	Dimension in	Approx Weight	Bearings
F	CONT.	inches	834 lbs.	DE:6313ZC35CNDE: 6213ZC35C

Totally Enclosed Fan-Cooled Type, Squirrel-Cage Rotor.



□		
---	--	--

DWN. J.H.LIANG 11-30-98	TECO Westinghouse	DWG NO.
CHKD. C.H.KAD 12-26-98		31049HB631041
APPD. Y.B.HUANG 12-26-98		

TECO Westinghouse

ISSUED March 13, 2012	PERFORMANCE DATA	ENCLOSURE TEFC
TYPE AEHH8B	3-PHASE INDUCTION MOTOR	CATALOG# HB0308

NAMEPLATE INFORMATION

OUTPUT		POLE	FRAME SIZE	VOLTAGE	HZ	RATED AMBIENT	INS. CLASS	NEMA DESIGN	TIME RATING	SERVICE FACTOR
HP	KW									
30	22.4	8	364T	460	60	40°C	F	C	CONT.	1.15

TYPICAL PERFORMANCE

FULL LOAD RPM	EFFICIENCY				POWER FACTOR			MAXIMUM POWER FACTOR CORRECTION
	FULL LOAD		3/4 LOAD %	1/2 LOAD %	F. L. %	3/4 LOAD %	1/2 LOAD %	
	MIN. %	NOM. %						
885	90.2	91.7	93	92.4	77.5	72	62	14 KVAR

CURRENTS

NO LOAD			FULL LOAD			LOCKED ROTOR			NEMA KVA CODE LETTER
AT 460 VOLT			AT 460 VOLT			AT 460 VOLT			
18.10						39.00			G

TORQUE

INERTIA

ACCEL TIME

FULL LOAD lb-ft	LOCKED ROTOR %FLT	PULL UP %FLT	BREAK DOWN %FLT	ROTOR WR ² lb-ft ²	NEMA LOAD WK ² lb-ft ²	MAX ALLOWABLE WK ² lb-ft ²	NEMA LOAD WK ² Sec	MAX ALLOWABLE WK ² Sec
178	200	170	200	17.938	769	1833	6.93	16.30

SAFE STALL TIME IN SECONDS

ALLOWABLE STARTS PER HOUR

SOUND PRESSURE LEVEL @ 3 FT dB(A)

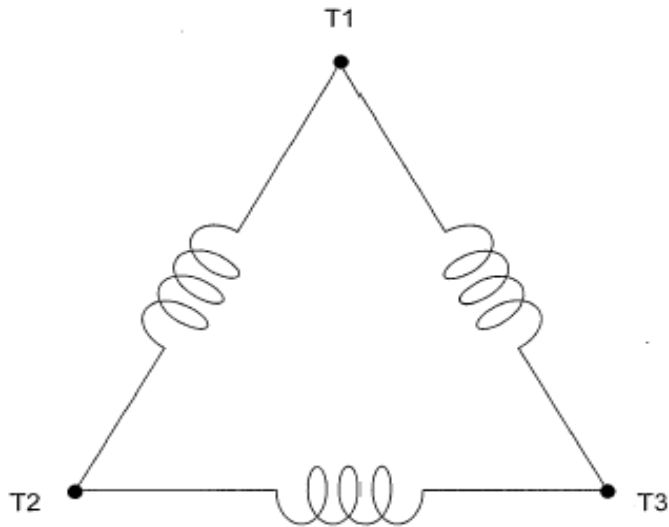
COLD	HOT	COLD	HOT	
49	34	2	1	

APPROVED:	M. PRATER	DRAWING NO.	31057HB0308	REVISION 0
-----------	------------------	-------------	--------------------	-------------------

DATE:
March 13, 2012

CONNECTION DIAGRAM

CATALOG NO.:
HB0308



SCHEMATIC - Δ CONNECTION

ACROSS THE LINE CONNECTION



460 VOLT CONNECTION