

DATE
January 20, 2009
CAT. #: HB0506C

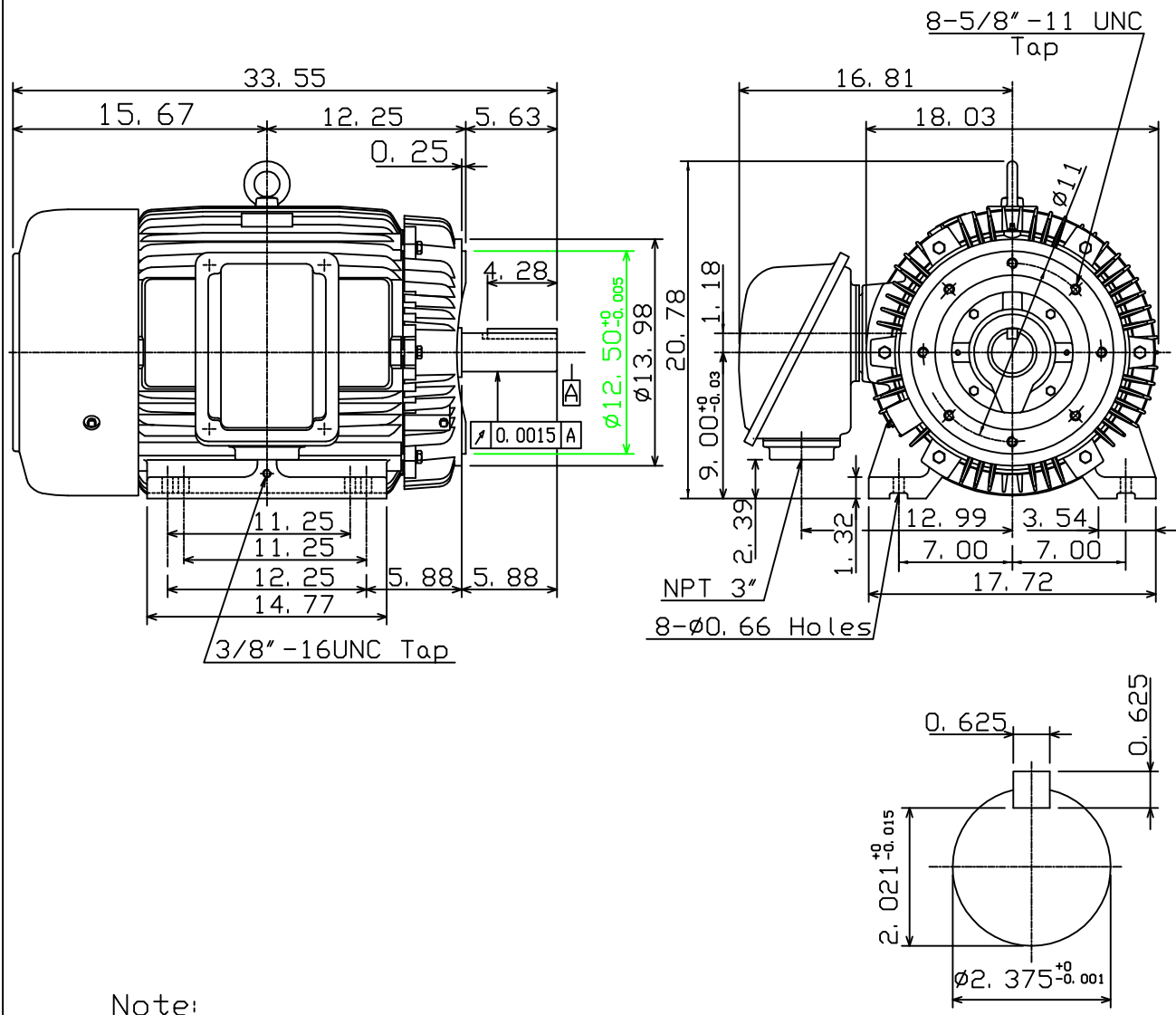
OUTLINE DIMENSIONS
3-PHASE INDUCTION MOTOR

MOTOR TYPE:
AEHH8B-CF
FRAME NO. 365TC

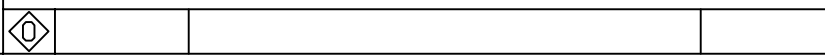
Pole	HP	kW	Hz	VOLT	Syn. Speed r/min(rpm)
6	50	37.3	60	460	1200

Ins	Rating	Dimension in	Approx Weight	Bearings
F	CONT.	inches	951 LBS	DE: 6313ZC3 NDE: 6213ZC3

Totally Enclosed Fan Cooled Type. Squirrel-cage Rotor.



- Note:
1. Motor Vibration: 10 μ .
 2. Inpro/Seal in Both End Brackets



DWN.	K. L. KUO	01-19-05
CHKD.	C. H. KAO	02-01-05
APPD.	M. C. TSAI	02-01-05



DWG NO.
31049M632590

TECO Westinghouse

ISSUED 8/28/2014	PERFORMANCE DATA 3-PHASE INDUCTION MOTOR	ENCLOSURE TEFC
TYPE AEHH8BCF		CATALOG# HB0506C

NAMEPLATE INFORMATION

OUTPUT		POLE	FRAME SIZE	VOLTAGE	HZ	RATED AMBIENT	INS. CLASS	NEMA DESIGN	TIME RATING	SERVICE FACTOR
HP	KW									
50	37.3	6	365TC	460	60	50°C	F	B	CONT.	1.15

VARIABLE FREQUENCY DRIVE SERVICE

VARIABLE TORQUE				OHMS/PHASE EQUIVALENT WYE CIRCUIT (AT RATED OPERATING TEMPERATURE 25°C)				
HZ	HP	RPM	TORQUE (lb-ft)	R1	R2	X1	X2	X _m
3~60	0.0063~50	60~1200	0.551~222.5	0.0502	0.1436	0.3901	0.6604	12.317

CONSTANT TORQUE				CONSTANT HORSEPOWER			
HZ	HP	RPM	TORQUE (lb-ft)	HZ	HP	RPM	TORQUE (lb-ft)
6~60	5~50	120~1200	222.5	60~90	50	1200~1800	222.5~148.3

TYPICAL PERFORMANCE

FULL LOAD RPM	EFFICIENCY				POWER FACTOR			SOUND PRESSURE LEVEL @ 3 FT Db(A)
	FULL LOAD		3/4 LOAD %	1/2 LOAD %	FULL LOAD %	3/4 LOAD %	1/2 LOAD %	
	MIN.%	NOM.%						
1180	93	94.1	94.5	93.6	86	83	75.5	75

CURRENTS			NEMA KVA CODE LETTER	SAFE STALL TIME IN SECONDS	
NO LOAD	FULL LOAD			LOCKED ROTOR	
AT 460 VOLT	AT 460 VOLT	AT 460 VOLT		COLD	HOT
20.9	57.80	363	G	29	20

TORQUE				INERTIA			ACCEL TIME (DOL)		ALLOWABLE STARTS PER HOUR	
FULL LOAD (lb-ft)	LOCKED ROTOR %FLT	PULL UP %FLT	BREAK DOWN %FLT	ROTOR WR ² (lb-ft ²)	NEMA LOAD WK ² (lb-ft ²)	MAX ALLOWABLE WK ² (lb-ft ²)	NEMA LOAD WK ² Sec	MAX ALLOWABLE WK ² Sec	COLD	HOT
222.50	225	170	240	21.39	620	1385	5.22	11.44	2	1

APPROVED:	M. PRATER	DRAWING NO.	31057HB0506C	REVISION:	1
-----------	------------------	-------------	---------------------	-----------	----------

DATE:
June 27, 2005

CONNECTION DIAGRAM

CATALOG NO.:
HB0506C



SCHEMATIC - Δ CONNECTION

ACROSS THE LINE CONNECTION



460 VOLT CONNECTION