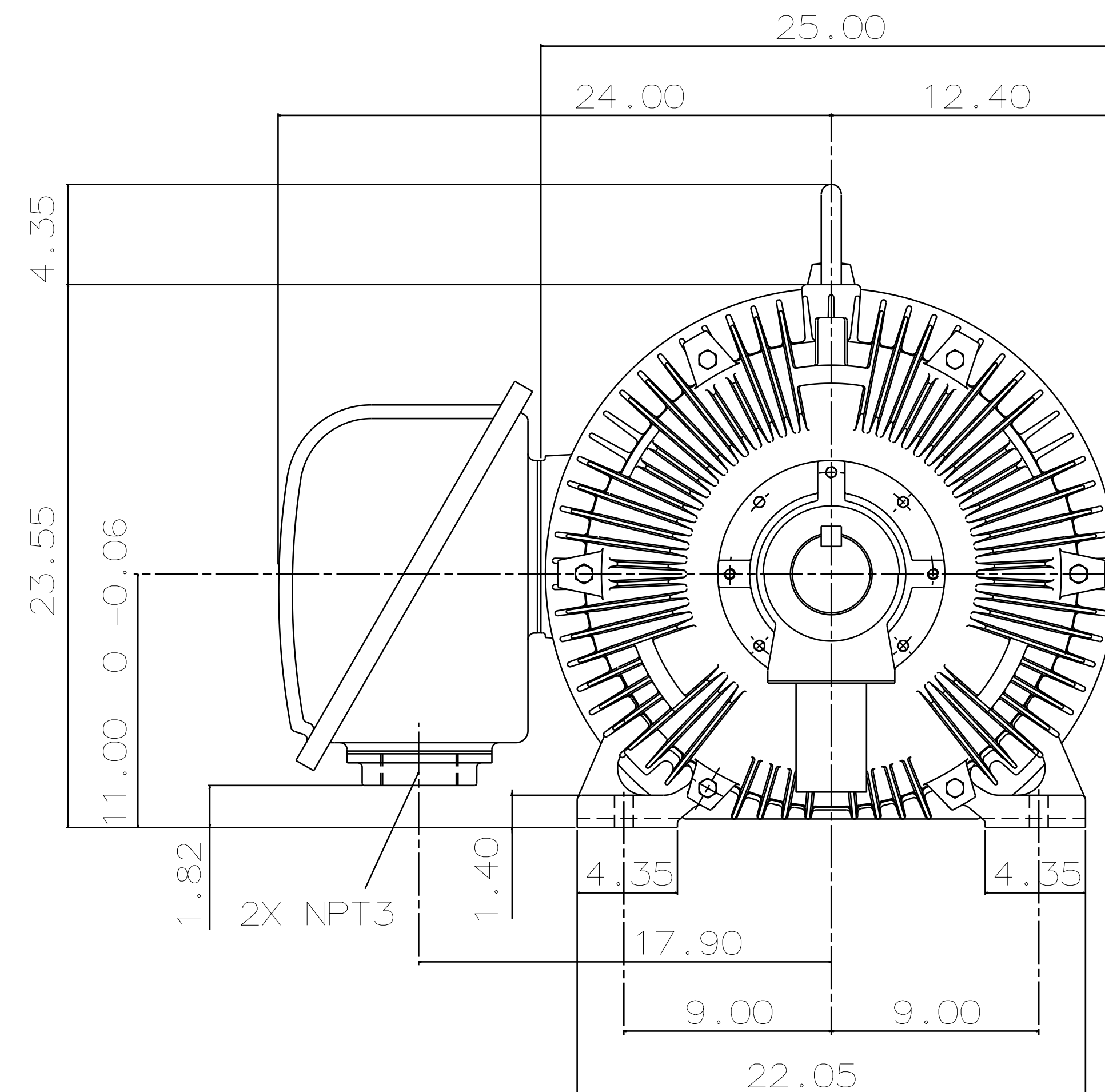
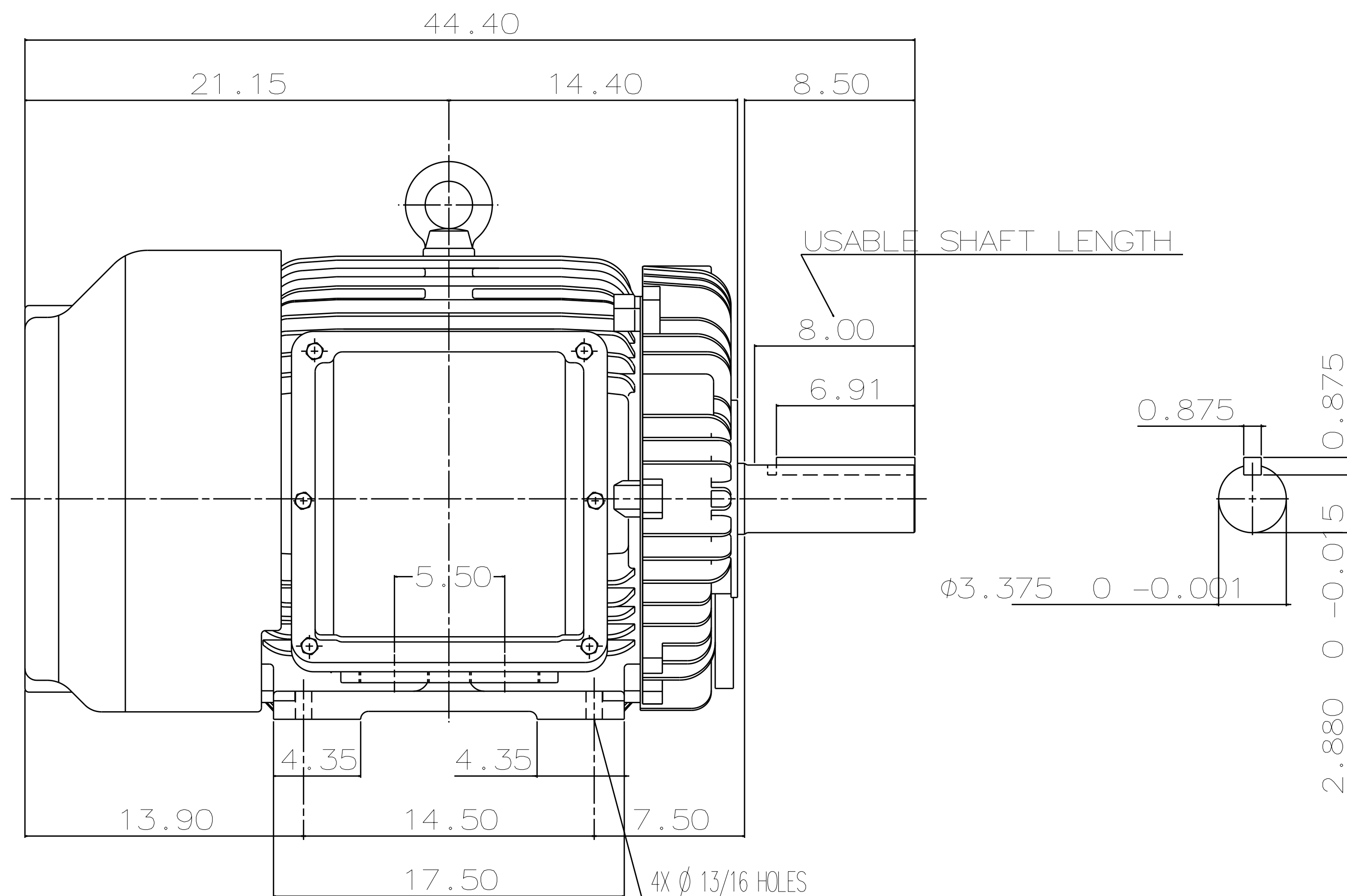


| TYPE   | OUTPUT |      | POLE | TIME RATING | VOLTAGE V | Hz | SYN. SPEED R.P.M |
|--------|--------|------|------|-------------|-----------|----|------------------|
|        | HP.    | kW.  |      |             |           |    |                  |
| AEHH8B | 100    | 74.6 | 6    | CONT.       | 460       | 60 | 1200             |

TOTALLY ENCLOSED FAN-COOLED TYPE. SQUIRREL-CAGE ROTOR



NOTE:

- DIMENSIONS IN INCH
- FRAME NO. 444T
- F CLASS INSULATION, S.F.1.15
- FOR DIRECT FLEXIBLE COUPLING
- ENCLOSURE: IP55
- BEARING SIZE: DRIVE END: 6318C3  
NON-DRIVE END: 6316C3
- APPROX. WEIGHT: 1650 LBS
- INPRO SEAL ON BOTH ENDS.
- NON-SPARKING FAN.
- NOISE BELOW 83 DBA AT 1 METER AT NO LOAD.
- VIBRATION VERTICAL/HORIZONTAL BELOW 0.06 IN/SEC  
AXIAL BELOW 0.06 IN/SEC.

TW-56BC

|           |           |                         |
|-----------|-----------|-------------------------|
| DATE      | 12-12-17  | OUTLINE DIMENSIONS      |
| CATALOG # | HB1006    | 3-PHASE INDUCTION MOTOR |
| DWG NO.   | 3A040Y696 | REV: 02                 |

|       |         |               |
|-------|---------|---------------|
| DWN.  | T.H.Pan | FEB •18 •2005 |
| CHKD. | H.HUANG | FEB •18 •2005 |
| APPD. | C.WANG  | FEB •18 •2005 |

**TEC** Westinghouse

# TECO Westinghouse

|                            |   |                           |
|----------------------------|---|---------------------------|
| ISSUED<br><b>8/28/2014</b> | <b>PERFORMANCE DATA</b><br><b>3-PHASE INDUCTION MOTOR</b> | ENCLOSURE<br><b>TEFC</b>  |
| TYPE<br><b>AEHH8B</b>      |   | CATALOG#<br><b>HB1006</b> |

### NAMEPLATE INFORMATION

| OUTPUT     |             | POLE     | FRAME SIZE  | VOLTAGE    | HZ        | RATED AMBIENT | INS. CLASS | NEMA DESIGN | TIME RATING  | SERVICE FACTOR |
|------------|-------------|----------|-------------|------------|-----------|---------------|------------|-------------|--------------|----------------|
| HP         | KW          |          |             |            |           |               |            |             |              |                |
| <b>100</b> | <b>74.6</b> | <b>6</b> | <b>444T</b> | <b>460</b> | <b>60</b> | <b>50°C</b>   | <b>F</b>   | <b>B</b>    | <b>CONT.</b> | <b>1.15</b>    |

### VARIABLE FREQUENCY DRIVE SERVICE

|                 |                   |                |                 |  |               |               |              |                |
|-----------------|-------------------|----------------|-----------------|--|---------------|---------------|--------------|----------------|
| VARIABLE TORQUE |                   |                |                 | OHMS/PHASE EQUIVALENT WYE CIRCUIT<br>(AT RATED OPERATING TEMPERATURE 25°C) |               |               |              |                |
| HZ              | HP                | RPM            | TORQUE (lb-ft)  | R1   | R2            | X1            | X2           | X <sub>m</sub> |
| <b>3~60</b>     | <b>0.0125~100</b> | <b>60~1200</b> | <b>1.09~444</b> | <b>0.0778</b>  | <b>0.0497</b> | <b>0.5102</b> | <b>0.978</b> | <b>16.2</b>    |

| CONSTANT TORQUE |               |                 |                | CONSTANT HORSEPOWER |            |                  |                |
|-----------------|---------------|-----------------|----------------|---------------------|------------|------------------|----------------|
| HZ              | HP            | RPM             | TORQUE (lb-ft) | HZ                  | HP         | RPM              | TORQUE (lb-ft) |
| <b>6~60</b>     | <b>10~100</b> | <b>118~1200</b> | <b>444</b>     | <b>60~90</b>        | <b>100</b> | <b>1200-1800</b> | <b>444~296</b> |

### TYPICAL PERFORMANCE

| FULL LOAD RPM | EFFICIENCY  |           |             |             | POWER FACTOR |            |            | SOUND PRESSURE LEVEL @ 3 FT Db(A) |
|---------------|-------------|-----------|-------------|-------------|--------------|------------|------------|-----------------------------------|
|               | FULL LOAD   |           | 3/4 LOAD %  | 1/2 LOAD %  | FULL LOAD %  | 3/4 LOAD % | 1/2 LOAD % |                                   |
|               | MIN.%       | NOM.%     |             |             |              |            |            |                                   |
| <b>1182</b>   | <b>94.1</b> | <b>95</b> | <b>94.5</b> | <b>93.6</b> | <b>82.5</b>  | <b>80</b>  | <b>73</b>  | <b>77</b>                         |

| CURRENTS    |               |              | NEMA KVA CODE LETTER | SAFE STALL TIME IN SECONDS |           |
|-------------|---------------|--------------|----------------------|----------------------------|-----------|
| NO LOAD     | FULL LOAD     | LOCKED ROTOR |                      | COLD                       | HOT       |
| AT 460 VOLT | AT 460 VOLT   | AT 460 VOLT  |                      |                            |           |
| <b>48</b>   | <b>119.00</b> | <b>725</b>   | <b>G</b>             | <b>21</b>                  | <b>15</b> |

| TORQUE            |                   |              |                 | INERTIA                                     |   |   | ACCEL TIME (DOL)              |                                   | ALLOWABLE STARTS PER HOUR |          |
|-------------------|-------------------|--------------|-----------------|---|---|---|-------------------------------|-----------------------------------|---------------------------|----------|
| FULL LOAD (lb-ft) | LOCKED ROTOR %FLT | PULL UP %FLT | BREAK DOWN %FLT | ROTOR WR <sup>2</sup> (lb-ft <sup>2</sup> ) | NEMA LOAD WK <sup>2</sup> (lb-ft <sup>2</sup> ) | MAX ALLOWABLE WK <sup>2</sup> (lb-ft <sup>2</sup> ) | NEMA LOAD WK <sup>2</sup> Sec | MAX ALLOWABLE WK <sup>2</sup> Sec | COLD                      | HOT      |
| <b>444.00</b>     | <b>140</b>        | <b>110</b>   | <b>230</b>      | <b>56</b>                                   | <b>1181</b>                                     | <b>2953</b>   | <b>6.00</b>                   | <b>14.58</b>                      | <b>2</b>                  | <b>1</b> |

|           |                  |             |                    |           |          |
|-----------|------------------|-------------|--------------------|-----------|----------|
| APPROVED: | <b>M. PRATER</b> | DRAWING NO. | <b>31057HB1006</b> | REVISION: | <b>1</b> |
|-----------|------------------|-------------|--------------------|-----------|----------|

DATE:  
June 27, 2005

# CONNECTION DIAGRAM

CATALOG NO.:  
**HB1006**



**SCHEMATIC - Δ CONNECTION**

## ACROSS THE LINE CONNECTION



**460 VOLT CONNECTION**