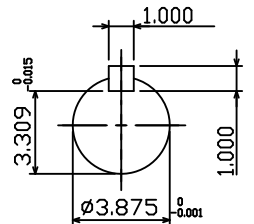
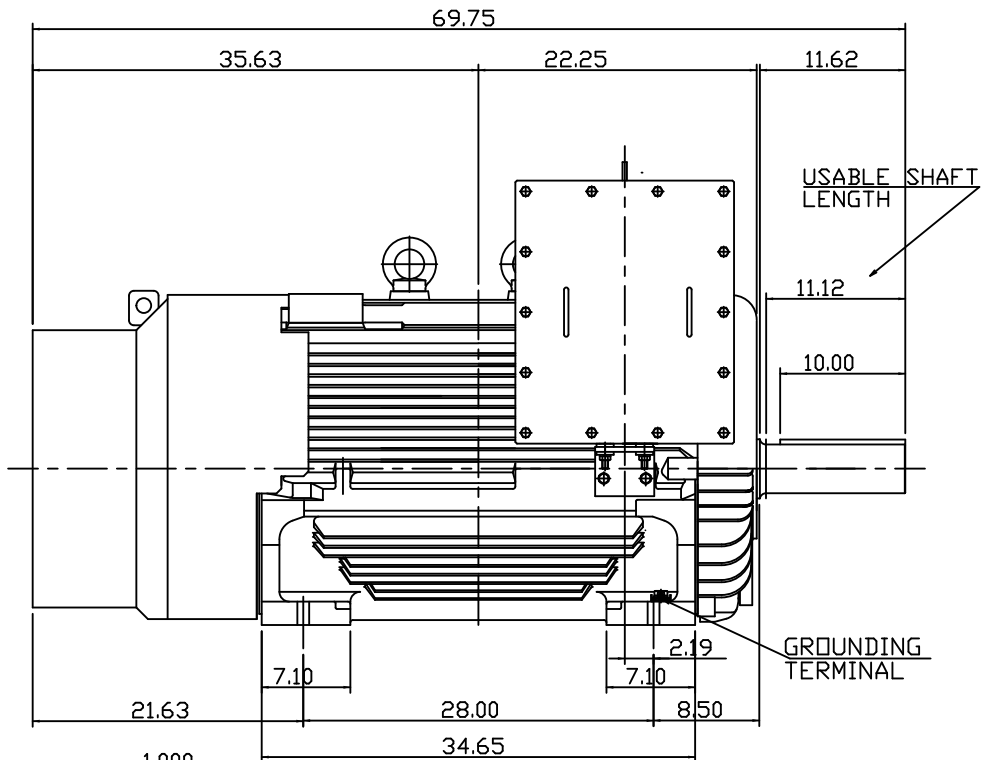
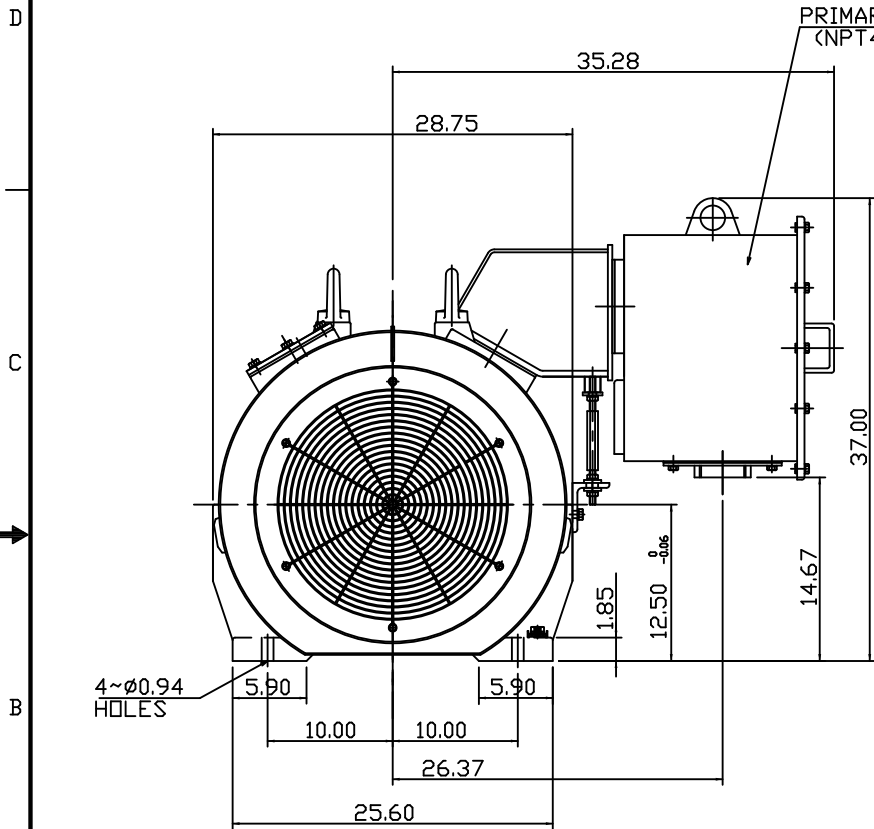


TYPE	OUTPUT		POLE	TIME RATING	VOLTAGE V	Hz	SYN.SPEED R.P.M
	HP.	kW.					
AEHH-8B	300	224	8	CONT.	460	60	900

TOTALLY ENCLOSED FAN-COOLED TYPE, SQUIRREL-CAGE ROTOR

PRIMARY T-BOX  
(NPT4)



NOTE:

1. DIMENSIONS IN INCH
2. FRAME NO. 5009B
3. F CLASS INSULATION, S.F.1.15
4. FOR DIRECT FLEXIBLE COUPLING
5. ENCLOSURE: IP55
6. BEARING SIZE: DRIVE-END 6324C3  
OPP. DRIVE-END 6320C3
7. BOTH ENDS BEARING ARE INPRO SEAL
8. NON-SPARKING FAN
9. MOTOR APPROX. WEIGHT: 3500 lb

SHAFT END  
(ENLARGED VIEW)

DATE			OUTLINE DIMENSIONS	
3-25-2015			3-PHASE INDUCTION MOTOR	
HB3008			DWG NO.	REV:00
TEC Westinghouse			4B040C140	

DWN.	J.WU	APR-14-2014
CHKD.	W.CHENG	APR-28-2014
APPD.	C.SHIH	APR-28-2014

# TECO Westinghouse

ISSUED <b>08/28/14</b>	<b>PERFORMANCE DATA</b>	ENCLOSURE <b>TEFC</b>
TYPE <b>AEHH8B</b>	<b>3-PHASE INDUCTION MOTOR</b>	CATALOG# <b>HB3008</b>

### NAMEPLATE INFORMATION

OUTPUT		POLE	FRAME SIZE	VOLTAGE	HZ	RATED AMBIENT	INS. CLASS	NEMA DESIGN	TIME RATING	SERVICE FACTOR
HP	KW									
<b>300</b>	<b>224</b>	<b>8</b>	<b>5009B</b>	<b>460</b>	<b>60</b>	<b>50°C</b>	<b>F</b>	<b>B</b>	<b>CONT.</b>	<b>1.15</b>

### TYPICAL PERFORMANCE

FULL LOAD RPM	EFFICIENCY				POWER FACTOR			MAXIMUM POWER FACTOR CORRECTION
	FULL LOAD		3/4 LOAD %	1/2 LOAD %	F. L. %	3/4 LOAD %	1/2 LOAD %	
	MIN. %	NOM. %						
<b>890</b>	<b>93.6</b>	<b>94.6</b>	<b>94.5</b>	<b>94</b>	<b>81</b>	<b>78</b>	<b>69</b>	<b>107 KVAR</b>

### CURRENTS

NO LOAD	FULL LOAD	LOCKED ROTOR	NEMA KVA CODE LETTER
<b>134.8</b>	<b>366</b>	<b>2200</b>	<b>G</b>

### TORQUE

### INERTIA

### ACCEL TIME

FULL LOAD lb-ft	LOCKED ROTOR %FLT	PULL UP %FLT	BREAK DOWN %FLT	ROTOR WR <sup>2</sup> lb-ft <sup>2</sup>	NEMA LOAD WK <sup>2</sup> lb-ft <sup>2</sup>	MAX ALLOWABLE WK <sup>2</sup> lb-ft <sup>2</sup>	NEMA LOAD WK <sup>2</sup> Sec	MAX ALLOWABLE WK <sup>2</sup> Sec
<b>1769</b>	<b>110</b>	<b>88</b>	<b>200</b>	<b>263</b>	<b>6540</b>	<b>13080</b>	<b>7.25</b>	<b>14.21</b>

SAFE STALL TIME IN SECONDS

ALLOWABLE STARTS PER HOUR

SOUND PRESSURE LEVEL @ 3 FT dB(A)

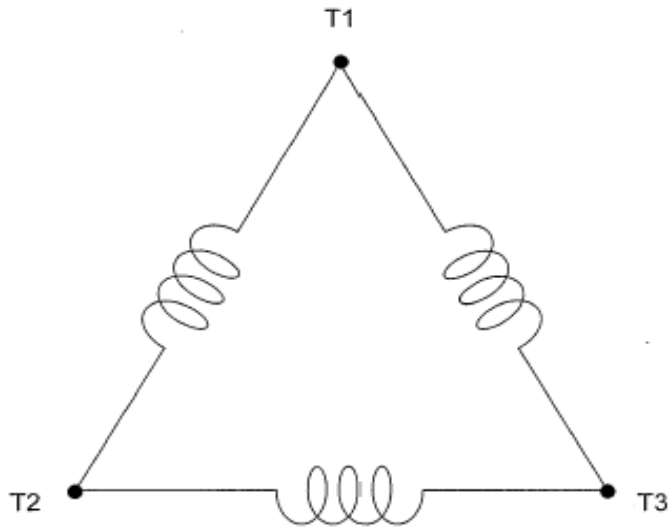
COLD	HOT	COLD	HOT	85
<b>24</b>	<b>15</b>	<b>2</b>	<b>1</b>	

APPROVED:	<b>M. PRATER</b>	DRAWING NO.	<b>3A057HB3008</b>	REVISION <b>0</b>
-----------	------------------	-------------	--------------------	-------------------

DATE:  
March 27, 2012

# CONNECTION DIAGRAM

CATALOG NO.:  
**HB03008**



**SCHEMATIC - Δ CONNECTION**

## ACROSS THE LINE CONNECTION



**460 VOLT CONNECTION**