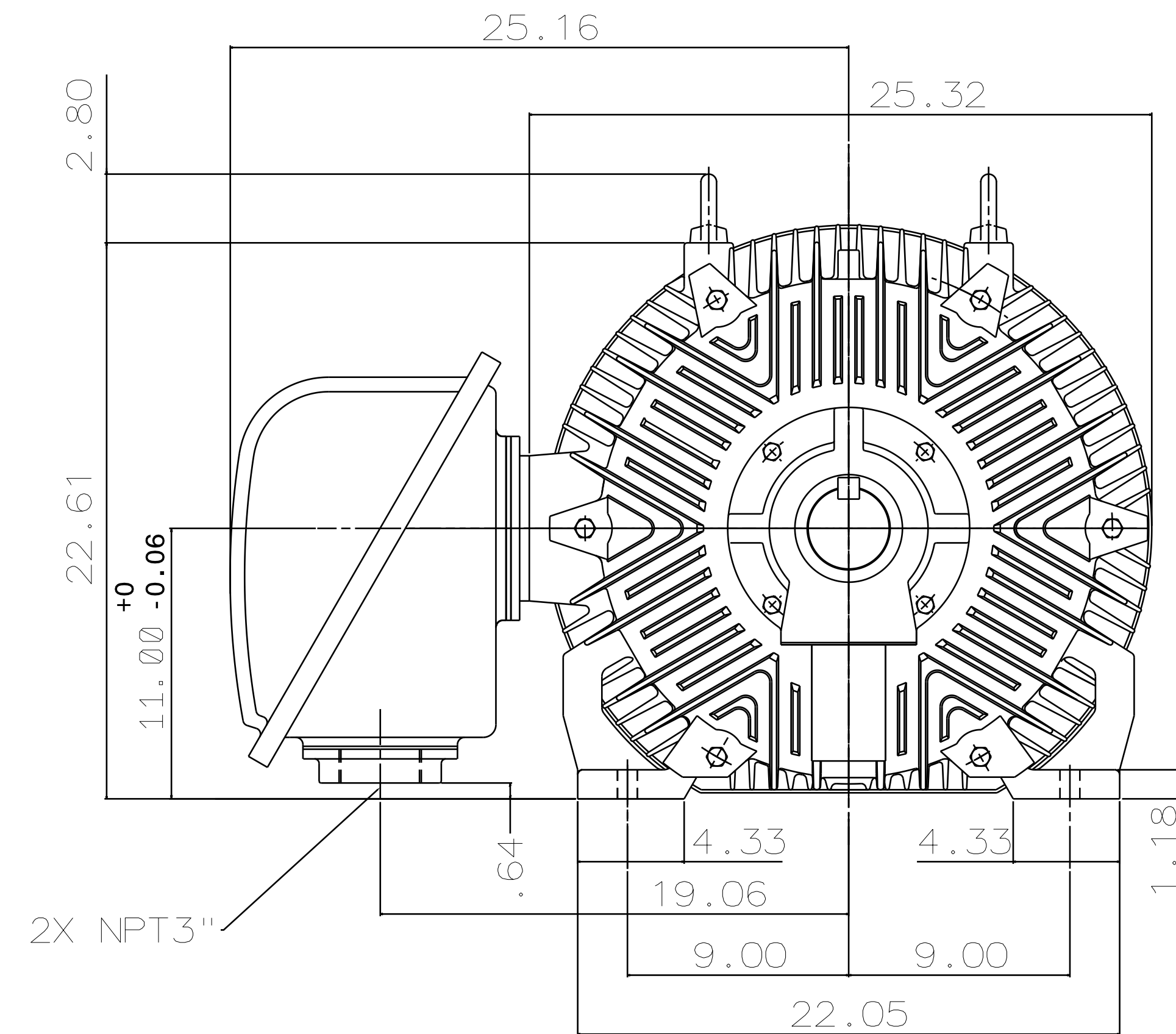
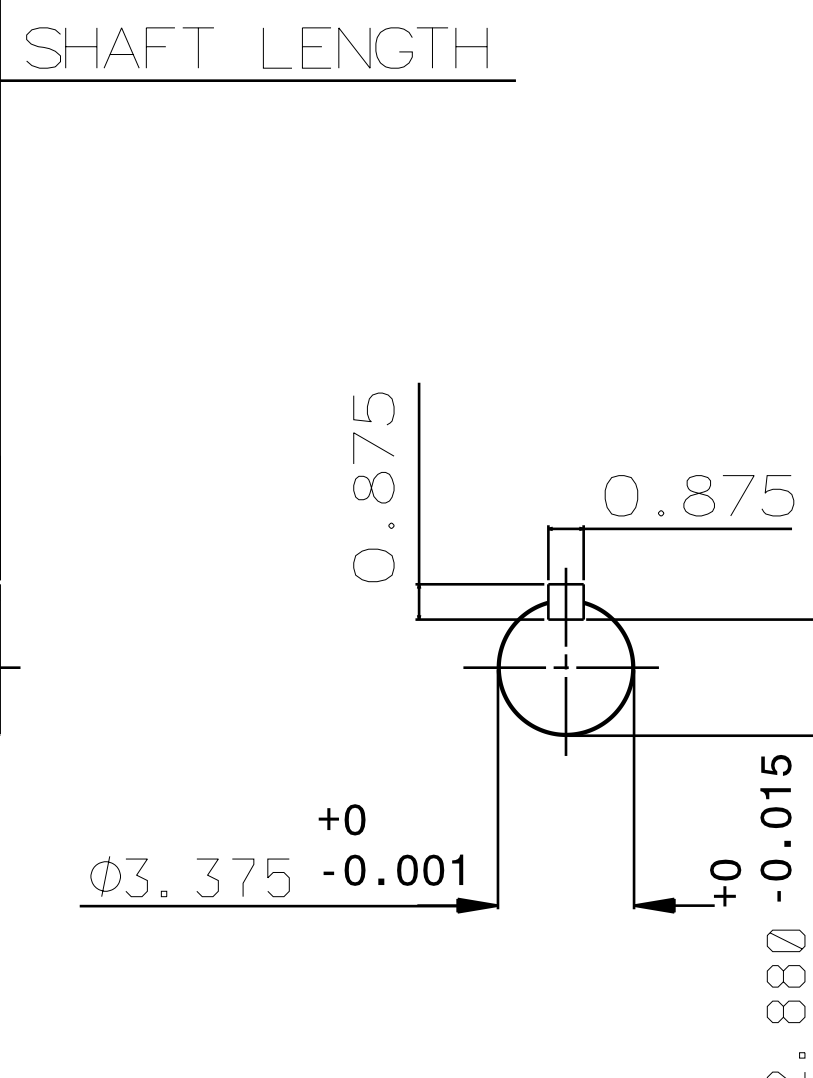
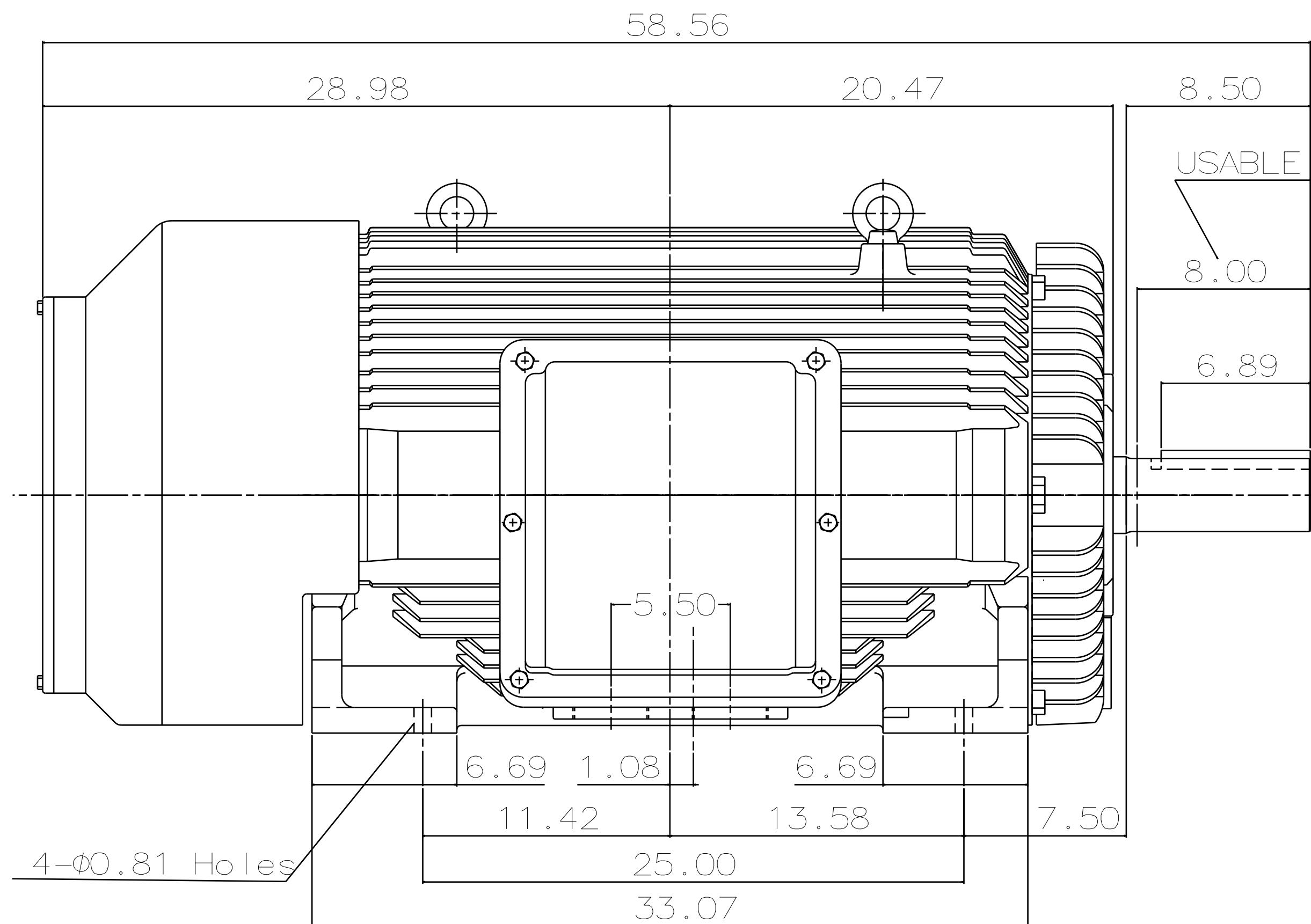


| TYPE   | OUTPUT |     | POLE | TIME RATING | VOLTAGE V | Hz | SYN. SPEED R.P.M |
|--------|--------|-----|------|-------------|-----------|----|------------------|
|        | HP     | KW  |      |             |           |    |                  |
| AEHH8B | 350    | 261 | 4    | CONT.       | 460       | 60 | 1800             |

TOTALLY ENCLOSED FAN-COOLED TYPE. SQUIRREL-CAGE ROTOR



NOTE :

1. DIMENSIONS IN INCH.
2. FRAME NO. 449T
3. F CLASS INSULATION, S.F.1.15
4. FOR DIRECT FLEXIBLE COUPLING.
5. BEARING SIZE: DRIVE END: 6320  
NON-DRIVE END: 6316
6. MOTOR APPROX. WEIGHT: 3350 LBS
7. ENCLOSURE: IP55
8. INPRO SEAL ON BOTH ENDS.
9. NON-SPARKING FAN.
10. NOISE BELOW 83 DBA AT 1 METER AT NO LOAD.
11. VIBRATION VERTICAL/HORIZONTAL BELOW 0.08 IN/SEC  
AXIAL BELOW 0.06 IN/SEC.

TW-56BC

|             |          |
|-------------|----------|
| DATE        | 12-12-17 |
| CATALOG NO. | HB3504   |

OUTLINE DIMENSIONS  
3-PHASE INDUCTION MOTOR

|       |         |             |
|-------|---------|-------------|
| DWN.  | W.CHENG | MAY.10.2004 |
| CHKD. | H.HUANG | MAY.10.2004 |
| APPD. | C.WANG  | MAY.10.2004 |

TECO Westinghouse

DWG NO. 3A040W799  
REV: 02

# TECO Westinghouse

|                           |                                |                           |
|---------------------------|--------------------------------|---------------------------|
| ISSUED<br><b>09/11/14</b> | <b>PERFORMANCE DATA</b>        | ENCLOSURE<br><b>TEFC</b>  |
| TYPE<br><b>AEHH8B</b>     | <b>3-PHASE INDUCTION MOTOR</b> | CATALOG#<br><b>HB3504</b> |

### NAMEPLATE INFORMATION

| OUTPUT     |            | POLE     | FRAME SIZE  | VOLTAGE    | HZ        | RATED AMBIENT | INS. CLASS | NEMA DESIGN | TIME RATING  | SERVICE FACTOR |
|------------|------------|----------|-------------|------------|-----------|---------------|------------|-------------|--------------|----------------|
| HP         | KW         |          |             |            |           |               |            |             |              |                |
| <b>350</b> | <b>261</b> | <b>4</b> | <b>449T</b> | <b>460</b> | <b>60</b> | <b>40°C</b>   | <b>F</b>   | <b>B</b>    | <b>CONT.</b> | <b>1.15</b>    |

### TYPICAL PERFORMANCE

| FULL LOAD RPM | EFFICIENCY  |             |             |           | POWER FACTOR |             |           | MAXIMUM POWER FACTOR CORRECTION |
|---------------|-------------|-------------|-------------|-----------|--------------|-------------|-----------|---------------------------------|
|               | FULL LOAD   |             | 3/4 LOAD    | 1/2 LOAD  | F. L.        | 3/4 LOAD    | 1/2 LOAD  |                                 |
|               | MIN. %      | NOM. %      | %           | %         | %            | %           | %         |                                 |
| <b>1788</b>   | <b>95.4</b> | <b>96.2</b> | <b>95.8</b> | <b>95</b> | <b>88</b>    | <b>84.5</b> | <b>80</b> | <b>50 KVAR</b>                  |

### CURRENTS

| NO LOAD    | FULL LOAD  | LOCKED ROTOR | NEMA KVA CODE LETTER |
|------------|------------|--------------|----------------------|
| <b>104</b> | <b>387</b> | <b>2567</b>  | <b>G</b>             |

### TORQUE

### INERTIA

### ACCEL TIME

| FULL LOAD lb-ft | LOCKED ROTOR %FLT | PULL UP %FLT | BREAK DOWN %FLT | ROTOR WR <sup>2</sup> lb-ft <sup>2</sup> | NEMA LOAD WK <sup>2</sup> lb-ft <sup>2</sup> | MAX ALLOWABLE WK <sup>2</sup> lb-ft <sup>2</sup> | NEMA LOAD WK <sup>2</sup> Sec | MAX ALLOWABLE WK <sup>2</sup> Sec |
|-----------------|-------------------|--------------|-----------------|--|--|--|-------------------------------|-----------------------------------|
| <b>1028</b>     | <b>100</b>        | <b>85</b>    | <b>210</b>      | <b>124</b>                               | <b>1373</b>                                  | <b>2746</b>                                      | <b>5.45</b>                   | <b>10.46</b>                      |

SAFE STALL TIME IN SECONDS

ALLOWABLE STARTS PER HOUR

SOUND PRESSURE LEVEL @ 3 FT dB(A)

| COLD      | HOT       | COLD     | HOT      | 85 |
|-----------|-----------|----------|----------|----|
| <b>26</b> | <b>18</b> | <b>2</b> | <b>1</b> |    |

APPROVED:

**M. PRATER**

DRAWING NO.

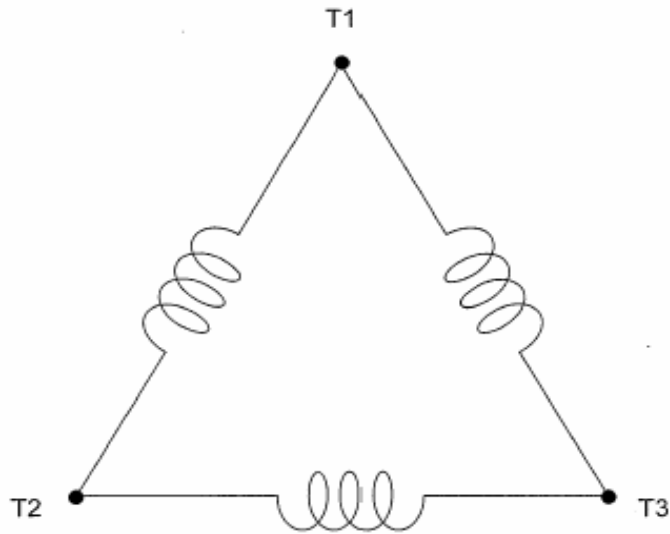
**3A057EP3504**

REVISION **2**

DATE:

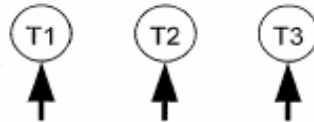
October 18, 2007

# CONNECTION DIAGRAM



**SCHEMATIC - Δ CONNECTION**

## ACROSS THE LINE CONNECTION



**460 VOLT CONNECTION**