

6

5

4

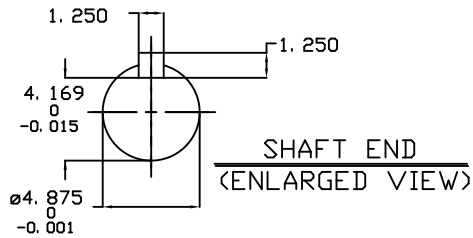
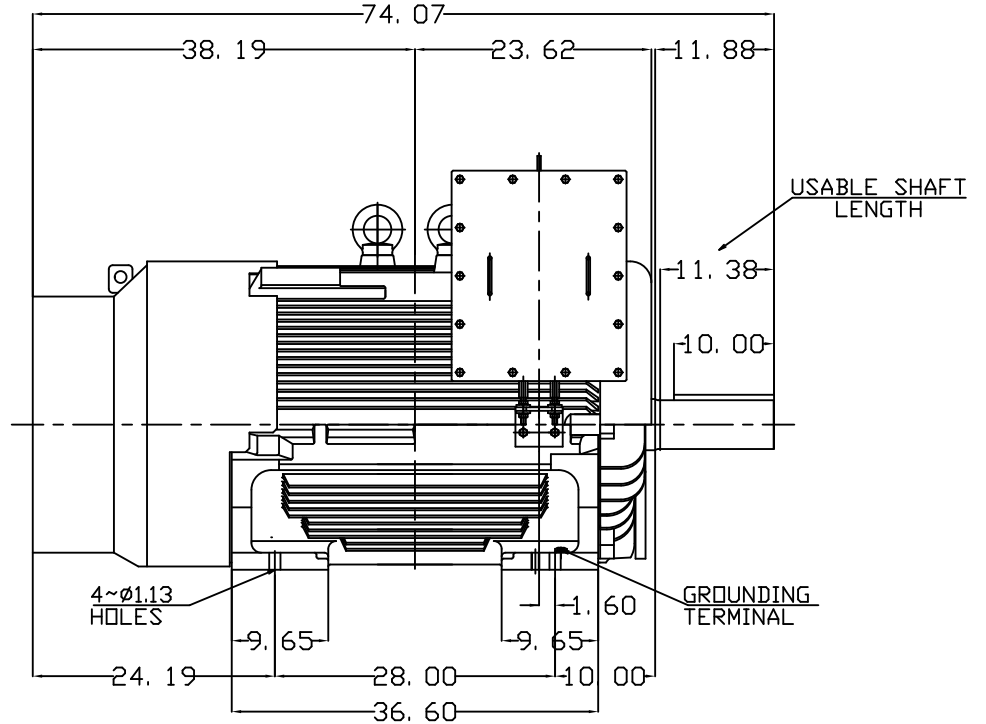
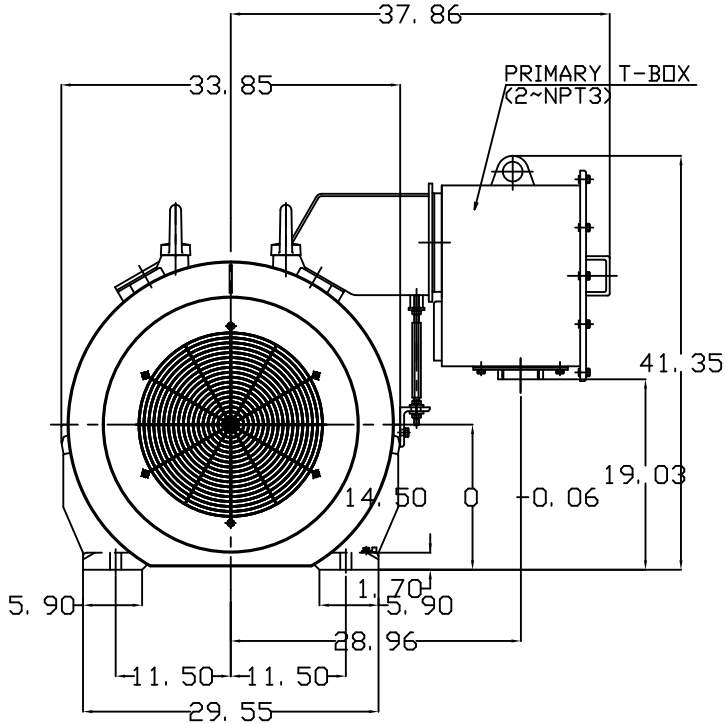
3

2

1

TYPE	OUTPUT		POLE	TIME RATING	VOLTAGE V	Hz	SYN.SPEED R.P.M
	HP.	kW.					
AEHH-8B	400	298	8	CONT.	460	60	900

TOTALLY ENCLOSED FAN-COOLED TYPE, SQUIRREL-CAGE ROTOR



NOTE:

1. DIMENSIONS IN inch
2. FRAME NO. 5808B
3. F CLASS INSULATION, S.F.1.15
4. FOR DIRECT FLEXIBLE COUPLING
5. ENCLOSURE: IP55
6. BEARING SIZE: DRIVE-END 6326C3  
OPP. DRIVE-END 6322C3
7. BOTH ENDS BEARING ARE INPRO SEAL
8. NON-SPARKING FAN
9. MOTOR APPROX. WEIGHT: 5600 lb

DATE			3-25-2015		OUTLINE DIMENSIONS	
HB4008			3-PHASE INDUCTION MOTOR			
DWN.	J.WU	APR-14-2014	TEC Westinghouse		DWG NO.	REV:00
CHKD.	W.CHENG	APR-28-2014			4B040C151	
APPD.	C.SHIH	APR-28-2014				

6

5

4

3

2

1

# TECO Westinghouse

ISSUED <b>08/28/14</b>	<b>PERFORMANCE DATA</b>	ENCLOSURE <b>TEFC</b>
TYPE <b>AEHH8B</b>	<b>3-PHASE INDUCTION MOTOR</b>	CATALOG# <b>HB4008</b>

### NAMEPLATE INFORMATION

OUTPUT		POLE	FRAME SIZE	VOLTAGE	HZ	RATED AMBIENT	INS. CLASS	NEMA DESIGN	TIME RATING	SERVICE FACTOR
HP	KW									
<b>400</b>	<b>298</b>	<b>8</b>	<b>5808B</b>	<b>460</b>	<b>60</b>	<b>50°C</b>	<b>F</b>	<b>B</b>	<b>CONT.</b>	<b>1.15</b>

### TYPICAL PERFORMANCE

FULL LOAD RPM	EFFICIENCY				POWER FACTOR			MAXIMUM POWER FACTOR CORRECTION
	FULL LOAD		3/4 LOAD %	1/2 LOAD %	F. L. %	3/4 LOAD %	1/2 LOAD %	
	MIN. %	NOM. %						
<b>890</b>	<b>93.6</b>	<b>94.8</b>	<b>94.6</b>	<b>94</b>	<b>82.5</b>	<b>80</b>	<b>71</b>	<b>130 KVAR</b>

### CURRENTS

NO LOAD	FULL LOAD	LOCKED ROTOR	NEMA KVA CODE LETTER
<b>163</b>	<b>478</b>	<b>2900</b>	<b>G</b>

### TORQUE

### INERTIA

### ACCEL TIME

FULL LOAD lb-ft	LOCKED ROTOR %FLT	PULL UP %FLT	BREAK DOWN %FLT	ROTOR WR <sup>2</sup> lb-ft <sup>2</sup>	NEMA LOAD WK <sup>2</sup> lb-ft <sup>2</sup>	MAX ALLOWABLE WK <sup>2</sup> lb-ft <sup>2</sup>	NEMA LOAD WK <sup>2</sup> Sec	MAX ALLOWABLE WK <sup>2</sup> Sec
<b>2359</b>	<b>90</b>	<b>72</b>	<b>200</b>	<b>520</b>	<b>8500</b>	<b>17000</b>	<b>7.53</b>	<b>14.63</b>

SAFE STALL TIME IN SECONDS

ALLOWABLE STARTS PER HOUR

SOUND PRESSURE LEVEL @ 3 FT dB(A)

SAFE STALL TIME IN SECONDS		ALLOWABLE STARTS PER HOUR		SOUND PRESSURE LEVEL @ 3 FT dB(A)
COLD	HOT	COLD	HOT	
<b>25</b>	<b>18</b>	<b>2</b>	<b>1</b>	<b>85</b>

APPROVED:

**M. PRATER**

DRAWING NO.

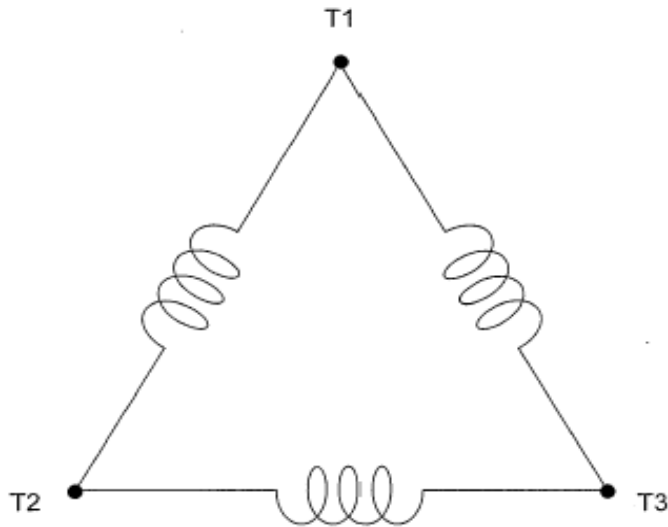
**3A057HB4008**

REVISION **0**

DATE:  
March 7, 2012

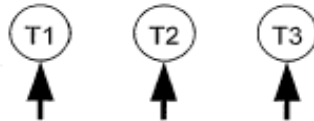
# CONNECTION DIAGRAM

CATALOG NO.:  
**HB4008**



**SCHEMATIC - Δ CONNECTION**

## ACROSS THE LINE CONNECTION



**460 VOLT CONNECTION**