

6

5

4

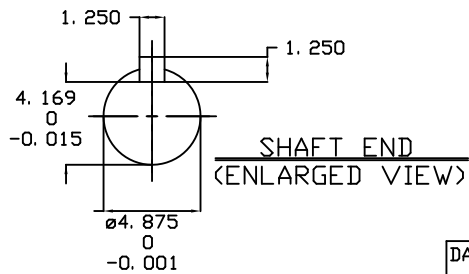
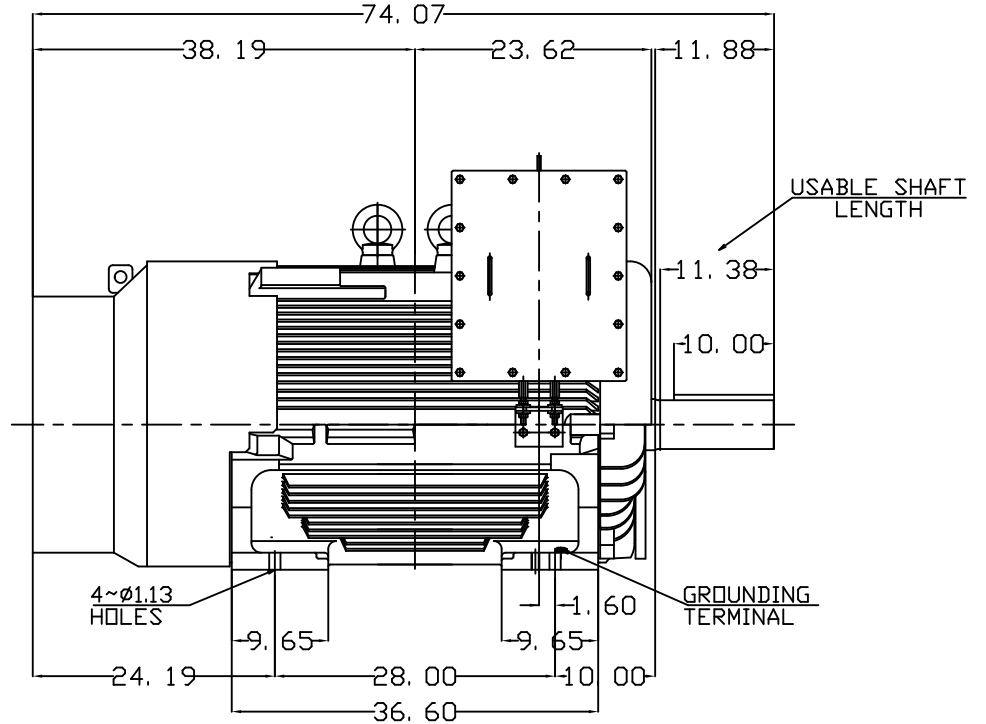
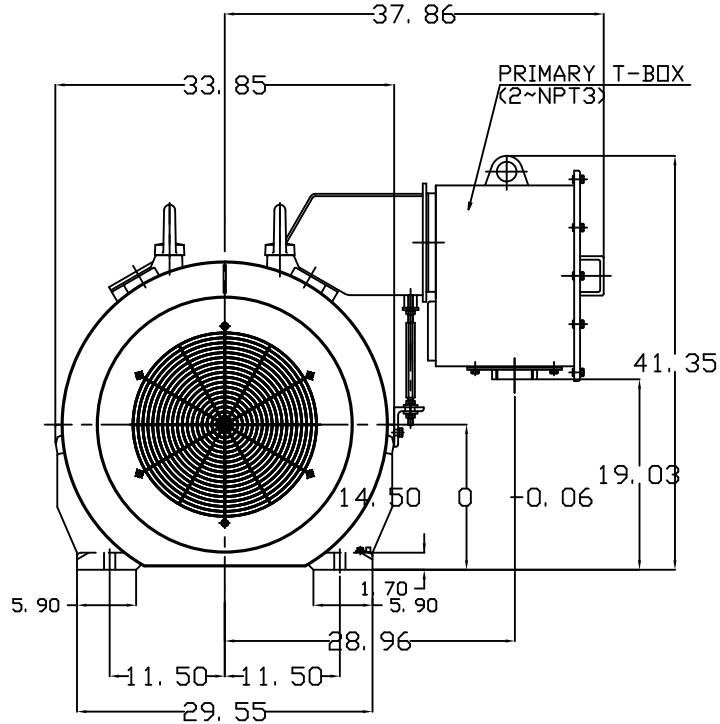
3

2

1

TYPE	OUTPUT		POLE	TIME RATING	VOLTAGE V	Hz	SYN.SPEED R.P.M
	HP.	kW.					
AEHH-8B	.	.	6	CONT.	.	.	.

TOTALLY ENCLOSED FAN-COOLED TYPE, SQUIRREL-CAGE ROTOR



NOTE:

1. DIMENSIONS IN inch
2. FRAME NO. 5808B
3. F CLASS INSULATION, S.F.1.15
4. FOR DIRECT FLEXIBLE COUPLING
5. ENCLOSURE: IP55
6. BEARING SIZE: DRIVE-END 6326C3
OPP. DRIVE-END 6322C3
7. BOTH ENDS BEARING ARE INPRO SEAL
8. NON-SPARKING FAN
9. MOTOR APPROX. WEIGHT: 5600 lb

DATE	3-25-2015	OUTLINE DIMENSIONS	
	HB4506	3-PHASE INDUCTION MOTOR	
DWN.	J.WU	APR-14-2014	TEC Westinghouse
CHKD.	W.CHENG	APR-28-2014	
APPD.	C.SHIH	APR-28-2014	
			DWG NO. REV:00
			4B040C151

6

5

4

3

2

1

TECO Westinghouse

ISSUED 08/28/14	PERFORMANCE DATA	ENCLOSURE TEFC
TYPE AEHH8B	3-PHASE INDUCTION MOTOR	CATALOG# HB4506

NAMEPLATE INFORMATION

OUTPUT		POLE	FRAME SIZE	VOLTAGE	HZ	RATED AMBIENT	INS. CLASS	NEMA DESIGN	TIME RATING	SERVICE FACTOR
HP	KW									
450	336	6	5808B	460	60	50°C	F	B	CONT.	1.15

TYPICAL PERFORMANCE

FULL LOAD RPM	EFFICIENCY				POWER FACTOR			MAXIMUM POWER FACTOR CORRECTION
	FULL LOAD		3/4 LOAD %	1/2 LOAD %	F. L. %	3/4 LOAD %	1/2 LOAD %	
	MIN. %	NOM. %						
1188	95.0	95.8	95.4	93.6	88.0	86.0	82.0	80 KVAR

CURRENTS

NO LOAD	FULL LOAD	LOCKED ROTOR	NEMA KVA CODE LETTER
100	500	3250	G

TORQUE

INERTIA

ACCEL TIME

FULL LOAD lb-ft	LOCKED ROTOR %FLT	PULL UP %FLT	BREAK DOWN %FLT	ROTOR WR ² lb-ft ²	NEMA LOAD WK ² lb-ft ²	MAX ALLOWABLE WK ² lb-ft ²	NEMA LOAD WK ² Sec	MAX ALLOWABLE WK ² Sec

SAFE STALL TIME IN SECONDS

ALLOWABLE STARTS PER HOUR

SOUND PRESSURE LEVEL @ 3 FT dB(A)

SAFE STALL TIME IN SECONDS		ALLOWABLE STARTS PER HOUR		SOUND PRESSURE LEVEL @ 3 FT dB(A)
COLD	HOT	COLD	HOT	
24	18	2	1	85

APPROVED:

M. PRATER

DRAWING NO.

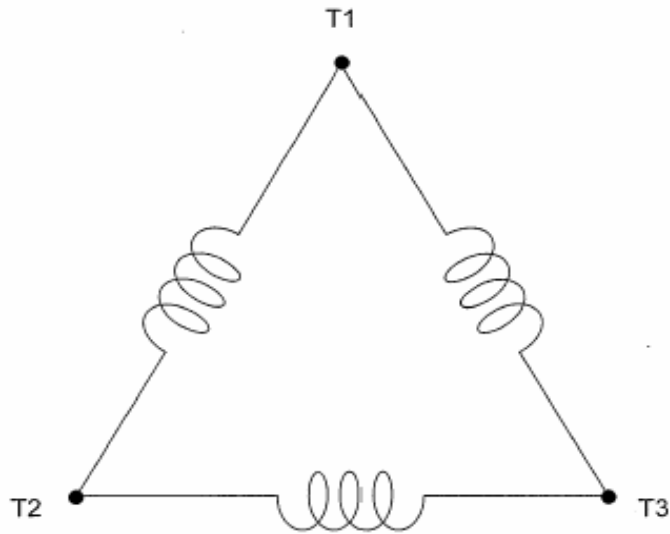
3A057HB4506

REVISION **0**

DATE:

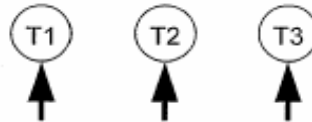
October 18, 2007

CONNECTION DIAGRAM



SCHEMATIC - Δ CONNECTION

ACROSS THE LINE CONNECTION



460 VOLT CONNECTION