

DATE
January 21, 2009

OUTLINE DIMENSIONS
3-PHASE INDUCTION MOTOR

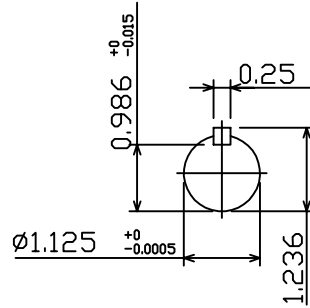
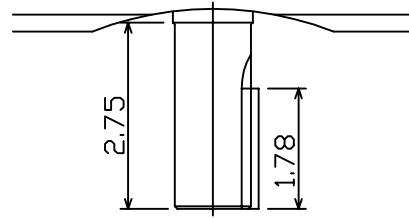
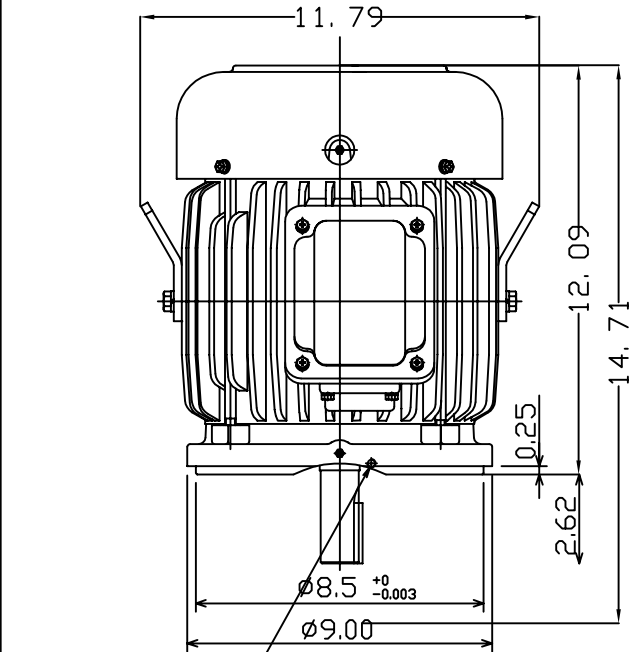
MOTOR TYPE:
AEUH8B-DC
FRAME NO. 182TC

CAT. #: HBV0032C

| Pole | HP | kW | Hz | VOLT | Syn.Speed r/min(rpm) |
|------|----|------|----|------|-------------------------|
| 2 | 3 | 2.24 | 60 | 460 | 3600 |

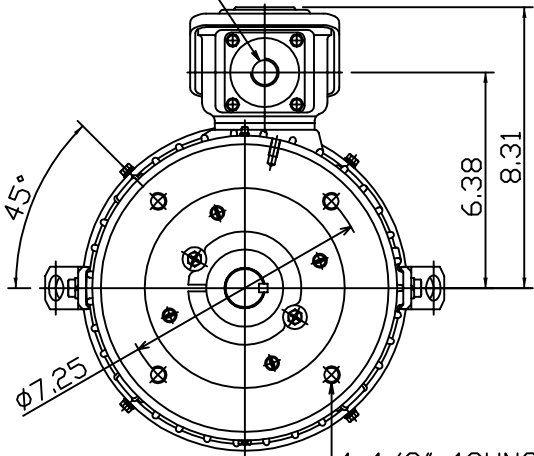
| Ins | Rating | Dimension in | Approx Weight | Bearings |
|-----|--------|--------------|---------------|--------------------------|
| F | CONT. | inches | 105 LBS | DE: 6306ZC3 NDE: 6306ZC3 |

Totally Enclosed Fan-Cooled Vertical Type.Squirrel-Cage Rotor.



1/4"-20UNC Tap
Deep 0.5

NPT 3/4"



4-1/2"-13UNC Tap
Depth 0.75

Note:
1. With Inpro Seals
On Both End.



| | | |
|-------|---------|----------|
| DWN. | ??????? | 01 07 09 |
| CHKD. | ??????? | 01 14 09 |
| APPD. | ??????? | 01 14 09 |



DWG NO.
31049M988120

TECO Westinghouse

| | | |
|----------------------------|---|-----------------------------|
| ISSUED 8/29/2014 | PERFORMANCE DATA 3-PHASE INDUCTION MOTOR | ENCLOSURE TEFC |
| TYPE AEUH8BDC | | CATALOG# HBV0032C |

NAMEPLATE INFORMATION

| OUTPUT | | POLE | FRAME SIZE | VOLTAGE | HZ | RATED AMBIENT | INS. CLASS | NEMA DESIGN | TIME RATING | SERVICE FACTOR |
|----------|------------|----------|--------------|------------|-----------|---------------|------------|-------------|--------------|----------------|
| HP | KW | | | | | | | | | |
| 3 | 2.2 | 2 | 182TC | 460 | 60 | 50°C | F | B | CONT. | 1.15 |

VARIABLE FREQUENCY DRIVE SERVICE

| | | | | | | | | |
|-----------------|-----------------|-----------------|--------------------|--|---------------|---------------|---------------|----------------|
| VARIABLE TORQUE | | | | OHMS/PHASE EQUIVALENT WYE CIRCUIT (AT RATED OPERATING TEMPERATURE 25°C) | | | | |
| HZ | HP | RPM | TORQUE (lb-ft) | R1 | R2 | X1 | X2 | X _m |
| 3~60 | 0.0004~3 | 180~3600 | 0.012~4.513 | 2.0665 | 2.3722 | 5.0282 | 7.2668 | 217.4 |

| CONSTANT TORQUE | | | | CONSTANT HORSEPOWER | | | |
|-----------------|-------------|-----------------|----------------|---------------------|----------|------------------|---------------------|
| HZ | HP | RPM | TORQUE (lb-ft) | HZ | HP | RPM | TORQUE (lb-ft) |
| 6~60 | .3~3 | 360~3600 | 4.513 | 60~120 | 3 | 3600~7200 | 4.513~2.2565 |

TYPICAL PERFORMANCE

| FULL LOAD RPM | EFFICIENCY | | | | POWER FACTOR | | | SOUND PRESSURE LEVEL @ 3 FT Db(A) |
|---------------|-------------|-------------|-------------|-------------|--------------|------------|-------------|-----------------------------------|
| | FULL LOAD | | 3/4 LOAD % | 1/2 LOAD % | FULL LOAD % | 3/4 LOAD % | 1/2 LOAD % | |
| | MIN.% | NOM.% | | | | | | |
| 3490 | 86.5 | 88.5 | 90.2 | 89.5 | 90 | 87 | 79.5 | 64 |

| CURRENTS | | | NEMA KVA CODE LETTER | SAFE STALL TIME IN SECONDS | |
|-------------|-------------|--------------|----------------------|----------------------------|-----------|
| NO LOAD | FULL LOAD | LOCKED ROTOR | | COLD | HOT |
| AT 460 VOLT | AT 460 VOLT | AT 460 VOLT | | | |
| 1.19 | 3.53 | 32 | K | 17 | 12 |

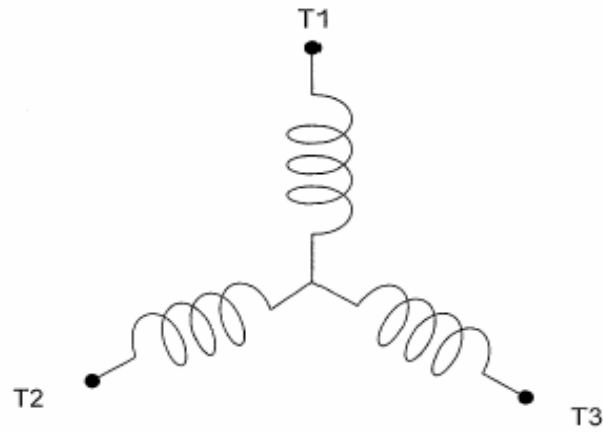
| TORQUE | | | | INERTIA | | | ACCEL TIME (DOL) | | ALLOWABLE STARTS PER HOUR | |
|-------------------|-------------------|--------------|-----------------|---|---|---|-------------------------------|-----------------------------------|---------------------------|----------|
| FULL LOAD (lb-ft) | LOCKED ROTOR %FLT | PULL UP %FLT | BREAK DOWN %FLT | ROTOR WR ² (lb-ft ²) | NEMA LOAD WK ² (lb-ft ²) | MAX ALLOWABLE WK ² (lb-ft ²) | NEMA LOAD WK ² Sec | MAX ALLOWABLE WK ² Sec | COLD | HOT |
| 4.51 | 280 | 250 | 380 | 0.19 | 3.5 | 13 | 3.09 | 11.04 | 2 | 1 |

| | | | | | |
|-----------|------------------|-------------|----------------------|-----------|----------|
| APPROVED: | M. PRATER | DRAWING NO. | 31057HBV0032C | REVISION: | 1 |
|-----------|------------------|-------------|----------------------|-----------|----------|

DATE:
October 2, 2008

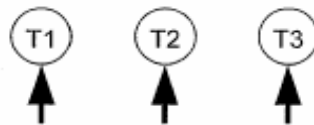
CONNECTION DIAGRAM

HBV0032C



SCHEMATIC - Y CONNECTION

ACROSS THE LINE CONNECTION



460 VOLT CONNECTION