

DATE  
January 21, 2009  
CAT. #: HBV0206C

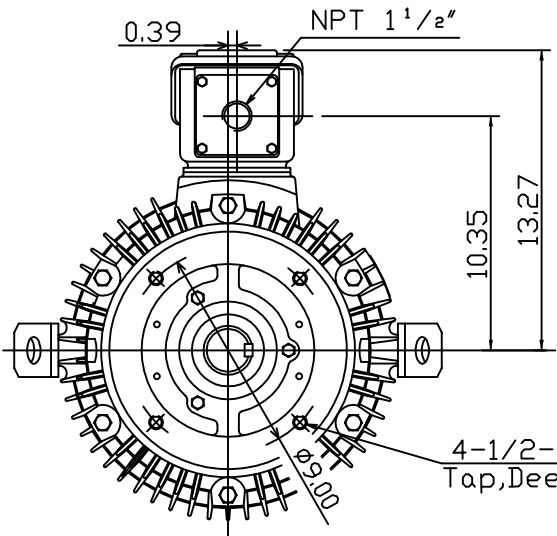
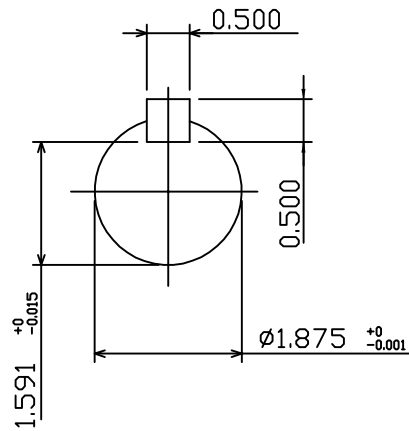
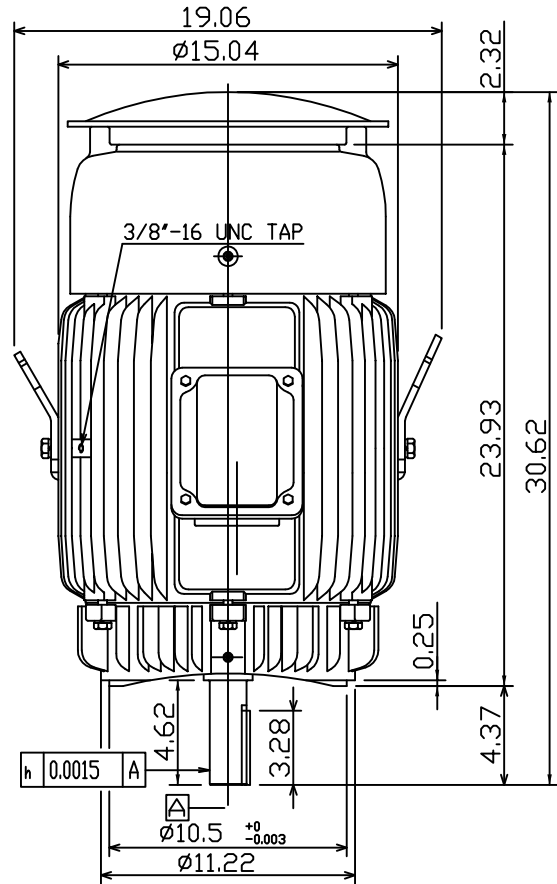
OUTLINE DIMENSIONS  
3-PHASE INDUCTION MOTOR

MOTOR TYPE:  
AEUH8B-DC  
FRAME NO. 286TC

| Pole | HP | kW   | Hz | VOLT | Syn.Speed<br>r/min(rpm) |
|------|----|------|----|------|-------------------------|
| 6    | 20 | 14.9 | 60 | 460  | 1200                    |

| Ins | Rating | Dimension in | Approx Weight | Bearings                 |
|-----|--------|--------------|---------------|--------------------------|
| F   | CONT.  | inches       | 495 LBS       | DE: 6311ZC3 NDE: 6310ZC3 |

Totally Enclosed Fan-Cooled Vertical Type.Squirrel-Cage Rotor.



- Note:
- C/W Inpro/Seal In Both End Brackets.
  - Motor Vibration:15µ

|   |  |  |  |
|---|--|--|--|
| ⊠ |  |  |  |
|---|--|--|--|

|       |         |          |
|-------|---------|----------|
| DWN.  | ??????? | 01 01 09 |
| CHKD. | ??????? | 01 02 09 |
| APPD. | ??????? | 01 02 09 |



DWG NO.  
31057H316500

# TECO Westinghouse

|                            |   |                             |
|----------------------------|---|-----------------------------|
| ISSUED<br><b>8/29/2014</b> | <b>PERFORMANCE DATA</b><br><b>3-PHASE INDUCTION MOTOR</b> | ENCLOSURE<br><b>TEFC</b>    |
| TYPE<br><b>AEUH8BDC</b>    |   | CATALOG#<br><b>HBV0206C</b> |

### NAMEPLATE INFORMATION

| OUTPUT    |             | POLE     | FRAME SIZE   | VOLTAGE    | HZ        | RATED AMBIENT | INS. CLASS | NEMA DESIGN | TIME RATING  | SERVICE FACTOR |
|-----------|-------------|----------|--------------|------------|-----------|---------------|------------|-------------|--------------|----------------|
| HP        | KW          |          |              |            |           |               |            |             |              |                |
| <b>20</b> | <b>14.9</b> | <b>6</b> | <b>286TC</b> | <b>460</b> | <b>60</b> | <b>50°C</b>   | <b>F</b>   | <b>B</b>    | <b>CONT.</b> | <b>1.15</b>    |

### VARIABLE FREQUENCY DRIVE SERVICE

|                 |                  |                |                    |  |               |              |              |                |
|-----------------|------------------|----------------|--------------------|--|---------------|--------------|--------------|----------------|
| VARIABLE TORQUE |                  |                |                    | OHMS/PHASE EQUIVALENT WYE CIRCUIT<br>(AT RATED OPERATING TEMPERATURE 25°C) |               |              |              |                |
| HZ              | HP               | RPM            | TORQUE (lb-ft)     | R1   | R2            | X1           | X2           | X <sub>m</sub> |
| <b>3~60</b>     | <b>0.0025~20</b> | <b>60~1200</b> | <b>0.219~89.75</b> | <b>0.2409</b>  | <b>0.3177</b> | <b>0.954</b> | <b>1.879</b> | <b>34.561</b>  |

| CONSTANT TORQUE |             |                 |                | CONSTANT HORSEPOWER |           |                  |                    |
|-----------------|-------------|-----------------|----------------|---------------------|-----------|------------------|--------------------|
| HZ              | HP          | RPM             | TORQUE (lb-ft) | HZ                  | HP        | RPM              | TORQUE (lb-ft)     |
| <b>6~60</b>     | <b>2~20</b> | <b>120~1200</b> | <b>89.75</b>   | <b>60~90</b>        | <b>20</b> | <b>1200~1800</b> | <b>89.75~59.83</b> |

### TYPICAL PERFORMANCE

| FULL LOAD RPM | EFFICIENCY  |             |             |             | POWER FACTOR |            |            | SOUND PRESSURE LEVEL @ 3 FT Db(A) |
|---------------|-------------|-------------|-------------|-------------|--------------|------------|------------|-----------------------------------|
|               | FULL LOAD   |             | 3/4 LOAD %  | 1/2 LOAD %  | FULL LOAD %  | 3/4 LOAD % | 1/2 LOAD % |                                   |
|               | MIN.%       | NOM.%       |             |             |              |            |            |                                   |
| <b>1170</b>   | <b>90.2</b> | <b>91.7</b> | <b>92.4</b> | <b>92.4</b> | <b>84</b>    | <b>81</b>  | <b>73</b>  | <b>66</b>                         |

| CURRENTS    |              |              | NEMA KVA CODE LETTER | SAFE STALL TIME IN SECONDS |           |
|-------------|--------------|--------------|----------------------|----------------------------|-----------|
| NO LOAD     | FULL LOAD    | LOCKED ROTOR |                      | COLD                       | HOT       |
| AT 460 VOLT | AT 460 VOLT  | AT 460 VOLT  |                      |                            |           |
| <b>7.48</b> | <b>24.30</b> | <b>145</b>   | <b>G</b>             | <b>35</b>                  | <b>25</b> |

| TORQUE            |                   |              |                 | INERTIA                                     |   |   | ACCEL TIME (DOL)              |                                   | ALLOWABLE STARTS PER HOUR |          |
|-------------------|-------------------|--------------|-----------------|---|---|---|-------------------------------|-----------------------------------|---------------------------|----------|
| FULL LOAD (lb-ft) | LOCKED ROTOR %FLT | PULL UP %FLT | BREAK DOWN %FLT | ROTOR WR <sup>2</sup> (lb-ft <sup>2</sup> ) | NEMA LOAD WK <sup>2</sup> (lb-ft <sup>2</sup> ) | MAX ALLOWABLE WK <sup>2</sup> (lb-ft <sup>2</sup> ) | NEMA LOAD WK <sup>2</sup> Sec | MAX ALLOWABLE WK <sup>2</sup> Sec | COLD                      | HOT      |
| <b>89.75</b>      | <b>210</b>        | <b>160</b>   | <b>225</b>      | <b>8.34</b>                                 | <b>262</b>                                      | <b>610</b>  | <b>5.75</b>                   | <b>13.14</b>                      | <b>2</b>                  | <b>1</b> |

|           |                  |             |                      |           |          |
|-----------|------------------|-------------|----------------------|-----------|----------|
| APPROVED: | <b>M. PRATER</b> | DRAWING NO. | <b>31057HBV0206C</b> | REVISION: | <b>1</b> |
|-----------|------------------|-------------|----------------------|-----------|----------|

DATE:  
June 27, 2005

# CONNECTION DIAGRAM

CATALOG NO.:  
**HBV0206C**



**SCHEMATIC - Δ CONNECTION**

## ACROSS THE LINE CONNECTION



**460 VOLT CONNECTION**