

DATE  
January 21, 2009  
CAT. #: HBV0404C

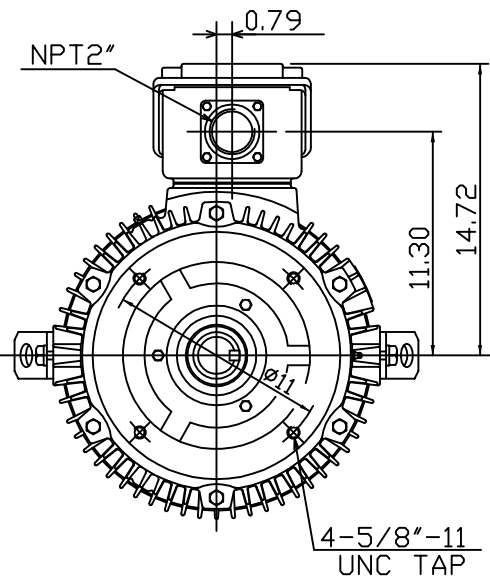
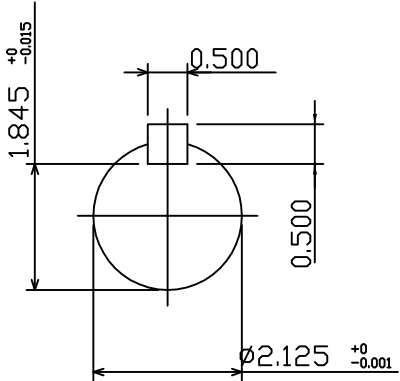
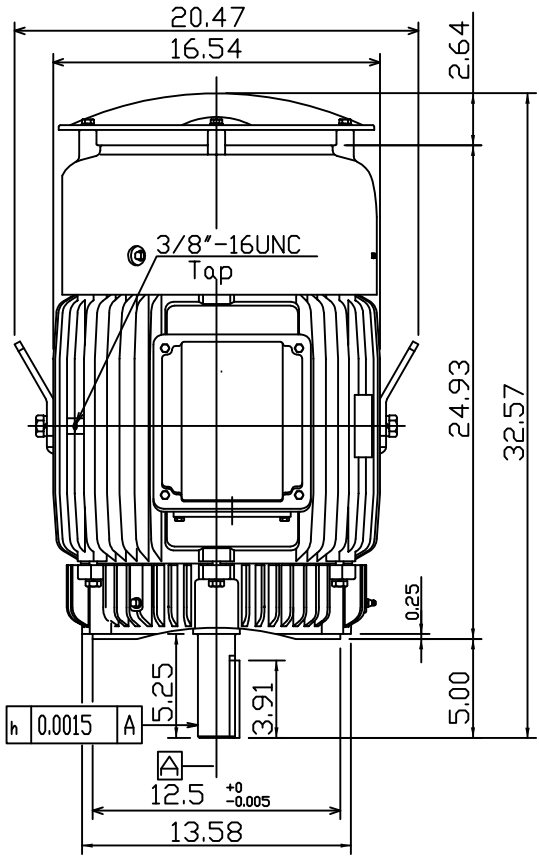
OUTLINE DIMENSIONS  
3-PHASE INDUCTION MOTOR

MOTOR TYPE:  
AEUH8B-DC  
FRAME NO. 324TC

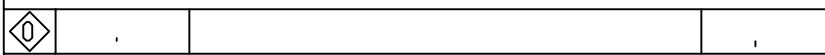
|      |    |    |    |      |                         |
|------|----|----|----|------|-------------------------|
| Pole | HP | kW | Hz | VOLT | Syn.Speed<br>r/min(rpm) |
| 4    | 40 | 30 | 60 | 460  | 1800                    |

|     |        |              |               |             |              |
|-----|--------|--------------|---------------|-------------|--------------|
| Ins | Rating | Dimension in | Approx Weight | Bearings    |              |
| F   | CONT.  | inch         | 687 LBS       | DE: 6312ZC3 | NDE: 6212ZC3 |

Totally Enclosed Fan-cooled Vertical Type.Squirrel-cage Rotor.



- Note:
1. C/W Inpro/Seal In Both End Brackets.
  2. Motor Vibration:15μ



|       |         |          |
|-------|---------|----------|
| DWN.  | ??????? | 01 01 09 |
| CHKD. | ??????? | 01 02 09 |
| APPD. | ??????? | 01 02 09 |



DWG NO.  
31057H416250

# TECO Westinghouse

|                            |   |                             |
|----------------------------|---|-----------------------------|
| ISSUED<br><b>8/29/2014</b> | <b>PERFORMANCE DATA</b><br><b>3-PHASE INDUCTION MOTOR</b> | ENCLOSURE<br><b>TEFC</b>    |
| TYPE<br><b>AEUH8BDC</b>    |   | CATALOG#<br><b>HBV0404C</b> |

### NAMEPLATE INFORMATION

| OUTPUT    |             | POLE     | FRAME SIZE   | VOLTAGE    | HZ        | RATED AMBIENT | INS. CLASS | NEMA DESIGN | TIME RATING  | SERVICE FACTOR |
|-----------|-------------|----------|--------------|------------|-----------|---------------|------------|-------------|--------------|----------------|
| HP        | KW          |          |              |            |           |               |            |             |              |                |
| <b>40</b> | <b>29.8</b> | <b>4</b> | <b>324TC</b> | <b>460</b> | <b>60</b> | <b>50°C</b>   | <b>F</b>   | <b>B</b>    | <b>CONT.</b> | <b>1.15</b>    |

### VARIABLE FREQUENCY DRIVE SERVICE

|                 |                 |                |                    |  |               |               |               |                |
|-----------------|-----------------|----------------|--------------------|--|---------------|---------------|---------------|----------------|
| VARIABLE TORQUE |                 |                |                    | OHMS/PHASE EQUIVALENT WYE CIRCUIT<br>(AT RATED OPERATING TEMPERATURE 25°C) |               |               |               |                |
| HZ              | HP              | RPM            | TORQUE (lb-ft)     | R1   | R2            | X1            | X2            | X <sub>m</sub> |
| <b>3~60</b>     | <b>0.005~40</b> | <b>90~1800</b> | <b>0.292~118.7</b> | <b>0.0844</b>  | <b>0.1734</b> | <b>0.4822</b> | <b>1.0764</b> | <b>23.315</b>  |

| CONSTANT TORQUE |             |                 |                | CONSTANT HORSEPOWER |           |                  |                    |
|-----------------|-------------|-----------------|----------------|---------------------|-----------|------------------|--------------------|
| HZ              | HP          | RPM             | TORQUE (lb-ft) | HZ                  | HP        | RPM              | TORQUE (lb-ft)     |
| <b>6~60</b>     | <b>4~40</b> | <b>180~1800</b> | <b>118.7</b>   | <b>60~90</b>        | <b>40</b> | <b>1800~2700</b> | <b>118.7~79.13</b> |

### TYPICAL PERFORMANCE

| FULL LOAD RPM | EFFICIENCY |             |             |             | POWER FACTOR |             |             | SOUND PRESSURE LEVEL @ 3 FT Db(A) |
|---------------|------------|-------------|-------------|-------------|--------------|-------------|-------------|-----------------------------------|
|               | FULL LOAD  |             | 3/4 LOAD %  | 1/2 LOAD %  | FULL LOAD %  | 3/4 LOAD %  | 1/2 LOAD %  |                                   |
|               | MIN.%      | NOM.%       |             |             |              |             |             |                                   |
| <b>1770</b>   | <b>93</b>  | <b>94.1</b> | <b>94.5</b> | <b>94.5</b> | <b>86</b>    | <b>84.5</b> | <b>78.5</b> | <b>74</b>                         |

| CURRENTS    |              |              | NEMA KVA CODE LETTER | SAFE STALL TIME IN SECONDS |           |
|-------------|--------------|--------------|----------------------|----------------------------|-----------|
| NO LOAD     | FULL LOAD    | LOCKED ROTOR |                      | COLD                       | HOT       |
| AT 460 VOLT | AT 460 VOLT  | AT 460 VOLT  |                      |                            |           |
| <b>10.6</b> | <b>46.30</b> | <b>290</b>   | <b>G</b>             | <b>25</b>                  | <b>18</b> |

| TORQUE            |                   |              |                 | INERTIA                                     |   |   | ACCEL TIME (DOL)              |                                   | ALLOWABLE STARTS PER HOUR |          |
|-------------------|-------------------|--------------|-----------------|---|---|---|-------------------------------|-----------------------------------|---------------------------|----------|
| FULL LOAD (lb-ft) | LOCKED ROTOR %FLT | PULL UP %FLT | BREAK DOWN %FLT | ROTOR WR <sup>2</sup> (lb-ft <sup>2</sup> ) | NEMA LOAD WK <sup>2</sup> (lb-ft <sup>2</sup> ) | MAX ALLOWABLE WK <sup>2</sup> (lb-ft <sup>2</sup> ) | NEMA LOAD WK <sup>2</sup> Sec | MAX ALLOWABLE WK <sup>2</sup> Sec | COLD                      | HOT      |
| <b>118.70</b>     | <b>205</b>        | <b>170</b>   | <b>220</b>      | <b>8.624</b>                                | <b>189</b>                                      | <b>375</b>  | <b>4.91</b>                   | <b>9.52</b>                       | <b>2</b>                  | <b>1</b> |

|           |                  |             |                      |           |          |
|-----------|------------------|-------------|----------------------|-----------|----------|
| APPROVED: | <b>M. PRATER</b> | DRAWING NO. | <b>31057HBV0404C</b> | REVISION: | <b>1</b> |
|-----------|------------------|-------------|----------------------|-----------|----------|

DATE:  
June 27, 2005

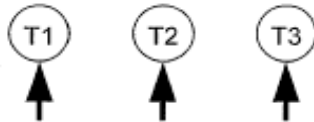
# CONNECTION DIAGRAM

CATALOG NO.:  
**HBV0402C**



**SCHEMATIC - Δ CONNECTION**

## ACROSS THE LINE CONNECTION



**460 VOLT CONNECTION**