

DATE
January 21, 2009
CAT. #: HBV0602C

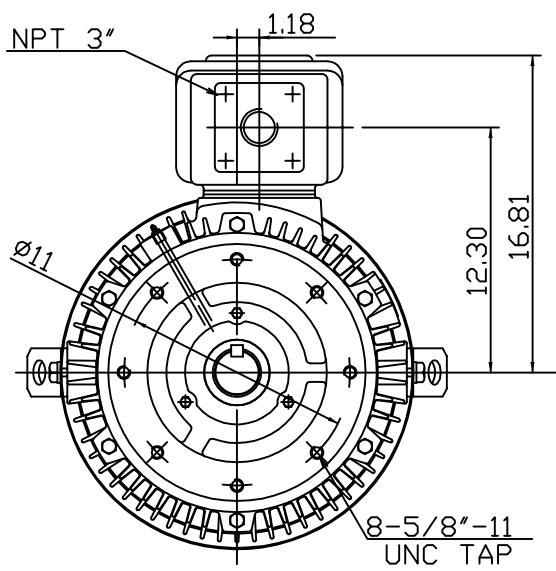
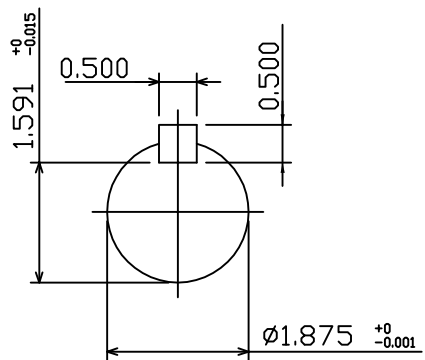
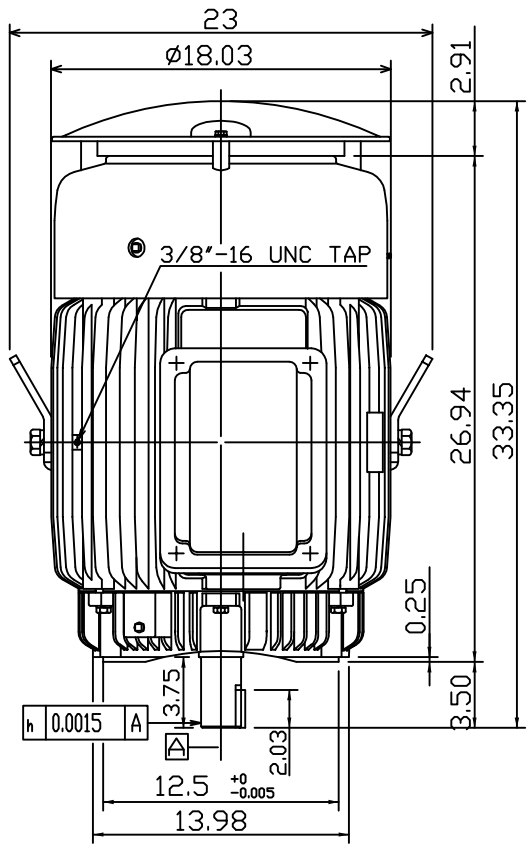
OUTLINE DIMENSIONS
3-PHASE INDUCTION MOTOR

MOTOR TYPE:
AEUH8B-DC
FRAME NO. 364TSC

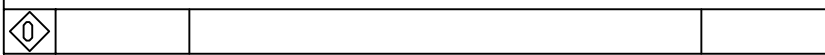
| Pole | HP | kW | Hz | VOLT | Syn.Speed r/min(rpm) |
|------|----|----|----|------|-------------------------|
| 2 | 60 | 45 | 60 | 460 | 3600 |

| Ins | Rating | Dimension in | Approx Weight | Bearings |
|-----|--------|--------------|---------------|--------------------------|
| F | CONT. | inches | 844 LBS | DE: 6312ZC3 NDE: 6212ZC3 |

Totally Enclosed Fan-Cooled Type. Squirrel-Cage Rotor.



Note:
1. C/W Inpro/Seal In Both End Brackets.
2. Motor Vibration:10µ



| | | |
|-------|---------|----------|
| DWN. | ??????? | 01 01 09 |
| CHKD. | ??????? | 01 02 09 |
| APPD. | ??????? | 01 02 09 |



DWG NO.
31057H178730

TECO Westinghouse

| | | |
|----------------------------|-----------------------------------------------------------|-----------------------------|
| ISSUED 8/29/2014 | PERFORMANCE DATA 3-PHASE INDUCTION MOTOR | ENCLOSURE TEFC |
| TYPE AEUH8BDC | | CATALOG# HBV0602C |

NAMEPLATE INFORMATION

| OUTPUT | | POLE | FRAME SIZE | VOLTAGE | HZ | RATED AMBIENT | INS. CLASS | NEMA DESIGN | TIME RATING | SERVICE FACTOR |
|-----------|-------------|----------|---------------|------------|-----------|---------------|------------|-------------|--------------|----------------|
| HP | KW | | | | | | | | | |
| 60 | 44.8 | 2 | 364TSC | 460 | 60 | 50°C | F | B | CONT. | 1.15 |

VARIABLE FREQUENCY DRIVE SERVICE

| | | | | | | | | |
|-----------------|------------------|-----------------|--------------------|----------------------------------------------------------------------------|---------------|---------------|---------------|----------------|
| VARIABLE TORQUE | | | | OHMS/PHASE EQUIVALENT WYE CIRCUIT (AT RATED OPERATING TEMPERATURE 25°C) | | | | |
| HZ | HP | RPM | TORQUE (lb-ft) | R1 | R2 | X1 | X2 | X _m |
| 3~60 | 0.0075~60 | 180~3600 | 0.219~88.74 | 0.0375 | 0.0816 | 0.3423 | 0.3812 | 20.921 |

| CONSTANT TORQUE | | | | CONSTANT HORSEPOWER | | | |
|-----------------|-------------|-----------------|----------------|---------------------|-----------|-------------|----------------|
| HZ | HP | RPM | TORQUE (lb-ft) | HZ | HP | RPM | TORQUE (lb-ft) |
| 6~60 | 6~60 | 360~3600 | 88.74 | 60 | 60 | 3600 | 88.74 |

TYPICAL PERFORMANCE

| FULL LOAD RPM | EFFICIENCY | | | | POWER FACTOR | | | SOUND PRESSURE LEVEL @ 3 FT Db(A) |
|---------------|------------|-------------|-------------|-------------|--------------|------------|-------------|-----------------------------------|
| | FULL LOAD | | 3/4 LOAD % | 1/2 LOAD % | FULL LOAD % | 3/4 LOAD % | 1/2 LOAD % | |
| | MIN.% | NOM.% | | | | | | |
| 3550 | 93 | 94.1 | 94.5 | 94.1 | 93 | 92 | 88.5 | 82 |

| CURRENTS | | | | | | NEMA KVA CODE LETTER | SAFE STALL TIME IN SECONDS | |
|-------------|--|--------------|--|--------------|--|----------------------|----------------------------|-----------|
| NO LOAD | | FULL LOAD | | LOCKED ROTOR | | | COLD | HOT |
| AT 460 VOLT | | AT 460 VOLT | | AT 460 VOLT | | | | |
| 12.5 | | 64.20 | | 435 | | G | 17 | 12 |

| TORQUE | | | | INERTIA | | | ACCEL TIME (DOL) | | ALLOWABLE STARTS PER HOUR | |
|-------------------|-------------------|--------------|-----------------|---------------------------------------------|-------------------------------------------------|-----------------------------------------------------|-------------------------------|-----------------------------------|---------------------------|----------|
| FULL LOAD (lb-ft) | LOCKED ROTOR %FLT | PULL UP %FLT | BREAK DOWN %FLT | ROTOR WR ² (lb-ft ²) | NEMA LOAD WK ² (lb-ft ²) | MAX ALLOWABLE WK ² (lb-ft ²) | NEMA LOAD WK ² Sec | MAX ALLOWABLE WK ² Sec | COLD | HOT |
| 88.74 | 145 | 130 | 240 | 7.379 | 58 | 117 | 4.59 | 8.73 | 2 | 1 |

| | | | | | |
|-----------|------------------|-------------|----------------------|-----------|----------|
| APPROVED: | M. PRATER | DRAWING NO. | 31057HBV0602C | REVISION: | 1 |
|-----------|------------------|-------------|----------------------|-----------|----------|

DATE:
June 27, 2005

CONNECTION DIAGRAM

CATALOG NO.:
HBV0602C



SCHEMATIC - Δ CONNECTION

ACROSS THE LINE CONNECTION



460 VOLT CONNECTION