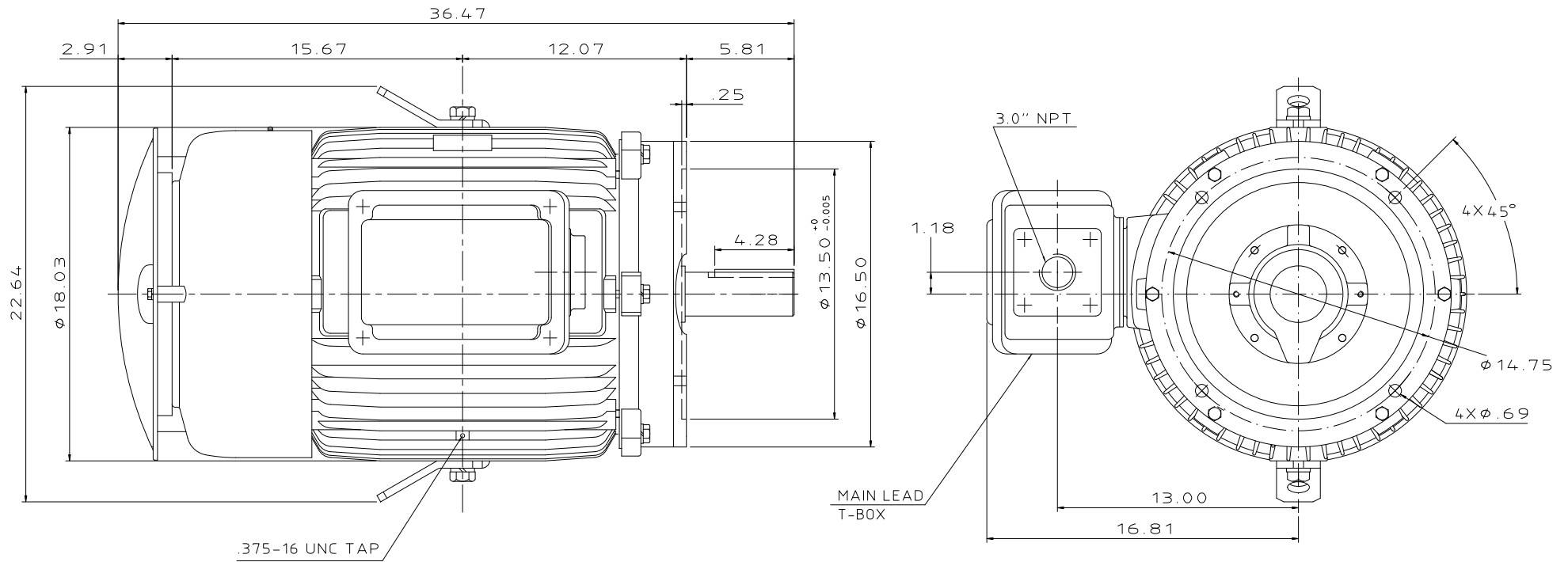


CATALOG #	TYPE	FRAME	OUTPUT		POLE	SYN. SPEED R.P.M.	VOLTAGE V.	Hz.	TIME RATING	INSULATION CLASS	SERVICE FACTOR	BEARINGS		WEIGHT LBS
			HP	kW								DE	NDE	
HBV0754P	AEUH8BDP	365TP	75	56	4	1800	460	60	CONT.	F	1.15	6313C3	6213C3	956

TOTALLY ENCLOSED FAN-COOLED VERTICAL TYPE. SQUIRREL CAGE MOTOR



NOTES:

1. DIMENSIONS IN INCH.
2. ENCLOSURE: IP55.
3. FOR DIRECT FLEXIBLE COUPLING.
4. STAINLESS STEEL BREATHER DRAIN.
5. NON-SPARKING FAN.
6. NOISE LEVEL NOT TO EXCEED 85 dB(A) AT 1 METER AT NO LOAD.
7. VIBRATION VERTICAL/HORIZONTAL BELOW 0.08 IN/SEC, AXIAL BELOW 0.06 IN/SEC.
8. INPRO SEAL ON BOTH ENDS.

REF:	REV. DATA			REV NO
	TECO Westinghouse			01
	3-PHASE INDUCTION MOTOR OUTLINE DIMENSIONS			DWG NO. HBV0754P
	DWN T. FELPS	041015	APPD S.GROHOSKY	041015
TECO-WESTINGHOUSE MOTOR COMPANY			ROUND ROCK, TEXAS	USA

APPR REV A

# TECO Westinghouse

ISSUED <b>9/26/2019</b>	<b>PERFORMANCE DATA</b> <b>3-PHASE INDUCTION MOTOR</b>	ENCLOSURE <b>TEFC</b>
TYPE <b>AEUH8BDP</b>		CATALOG# <b>HBV0754P</b>

### NAMEPLATE INFORMATION

OUTPUT		POLE	FRAME SIZE	VOLTAGE	HZ	RATED AMBIENT	INS. CLASS	NEMA DESIGN	TIME RATING	SERVICE FACTOR
HP	KW									
<b>75</b>	<b>56.0</b>	<b>4</b>	<b>365TP</b>	<b>460</b>	<b>60</b>	<b>50°C</b>	<b>F</b>	<b>B</b>	<b>CONT.</b>	<b>1.15</b>

### VARIABLE FREQUENCY DRIVE SERVICE

VARIABLE TORQUE				OHMS/PHASE EQUIVALENT WYE CIRCUIT (AT RATED OPERATING TEMPERATURE 25°C)				
HZ	HP	RPM	TORQUE (lb-ft)	R1	R2	X1	X2	X <sub>m</sub>
<b>3~60</b>	<b>0.009~75</b>	<b>90~1800</b>	<b>0.525~221.8</b>	<b>0.0296</b>	<b>0.0666</b>	<b>0.2316</b>	<b>0.4277</b>	<b>10.003</b>

CONSTANT TORQUE				CONSTANT HORSEPOWER			
HZ	HP	RPM	TORQUE (lb-ft)	HZ	HP	RPM	TORQUE (lb-ft)
<b>6~60</b>	<b>7.5~75</b>	<b>180~1800</b>	<b>221.8</b>	<b>60~90</b>	<b>75</b>	<b>1800~2700</b>	<b>221.8~147.9</b>

### TYPICAL PERFORMANCE

FULL LOAD RPM	EFFICIENCY				POWER FACTOR			SOUND PRESSURE LEVEL @ 3 FT Db(A)
	FULL LOAD		3/4 LOAD %	1/2 LOAD %	FULL LOAD %	3/4 LOAD %	1/2 LOAD %	
	MIN.%	NOM.%						
<b>1775</b>	<b>94.5</b>	<b>95.4</b>	<b>95.4</b>	<b>95</b>	<b>86.5</b>	<b>83.5</b>	<b>75.5</b>	<b>79</b>

CURRENTS			NEMA KVA CODE LETTER	SAFE STALL TIME IN SECONDS	
NO LOAD		FULL LOAD		LOCKED ROTOR	
AT 460 VOLT		AT 460 VOLT		AT 460 VOLT	
<b>26</b>		<b>85.10</b>	<b>G</b>	<b>17</b>	<b>12</b>

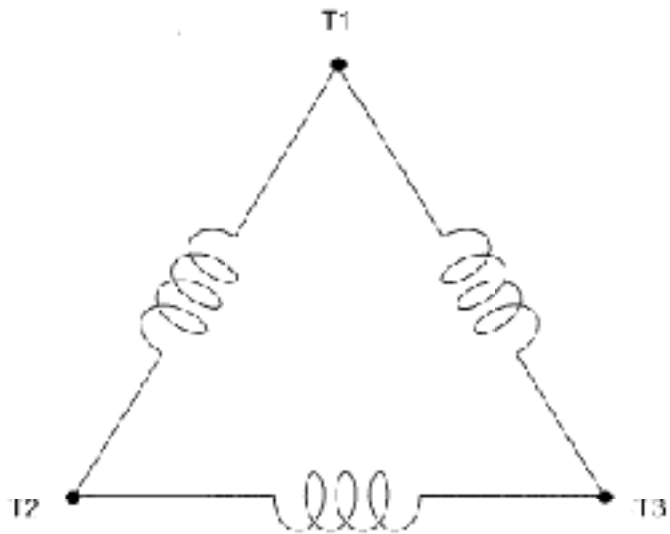
TORQUE				INERTIA			ACCEL TIME (DOL)		ALLOWABLE STARTS PER HOUR	
FULL LOAD (lb-ft)	LOCKED ROTOR %FLT	PULL UP %FLT	BREAK DOWN %FLT	ROTOR WR <sup>2</sup> (lb-ft <sup>2</sup> )	NEMA LOAD WK <sup>2</sup> (lb-ft <sup>2</sup> )	MAX ALLOWABLE WK <sup>2</sup> (lb-ft <sup>2</sup> )	NEMA LOAD WK <sup>2</sup> Sec	MAX ALLOWABLE WK <sup>2</sup> Sec	COLD	HOT
<b>221.90</b>	<b>200</b>	<b>165</b>	<b>250</b>	<b>14.674</b>	<b>338</b>	<b>618</b>	<b>4.40</b>	<b>7.89</b>	<b>2</b>	<b>1</b>

APPROVED:	<b>M. PRATER</b>	DRAWING NO.	<b>31057HBV0754P</b>	REVISION:	<b>1</b>
-----------	------------------	-------------	----------------------	-----------	----------

DATE:  
May 9, 2005

# CONNECTION DIAGRAM

CATALOG No.  
**HBV0754P**



**SCHEMATIC - Δ CONNECTION**

## ACROSS THE LINE CONNECTION



**460 VOLT CONNECTION**