

DATE
January 21, 2009
CAT. #: HBV1/56C

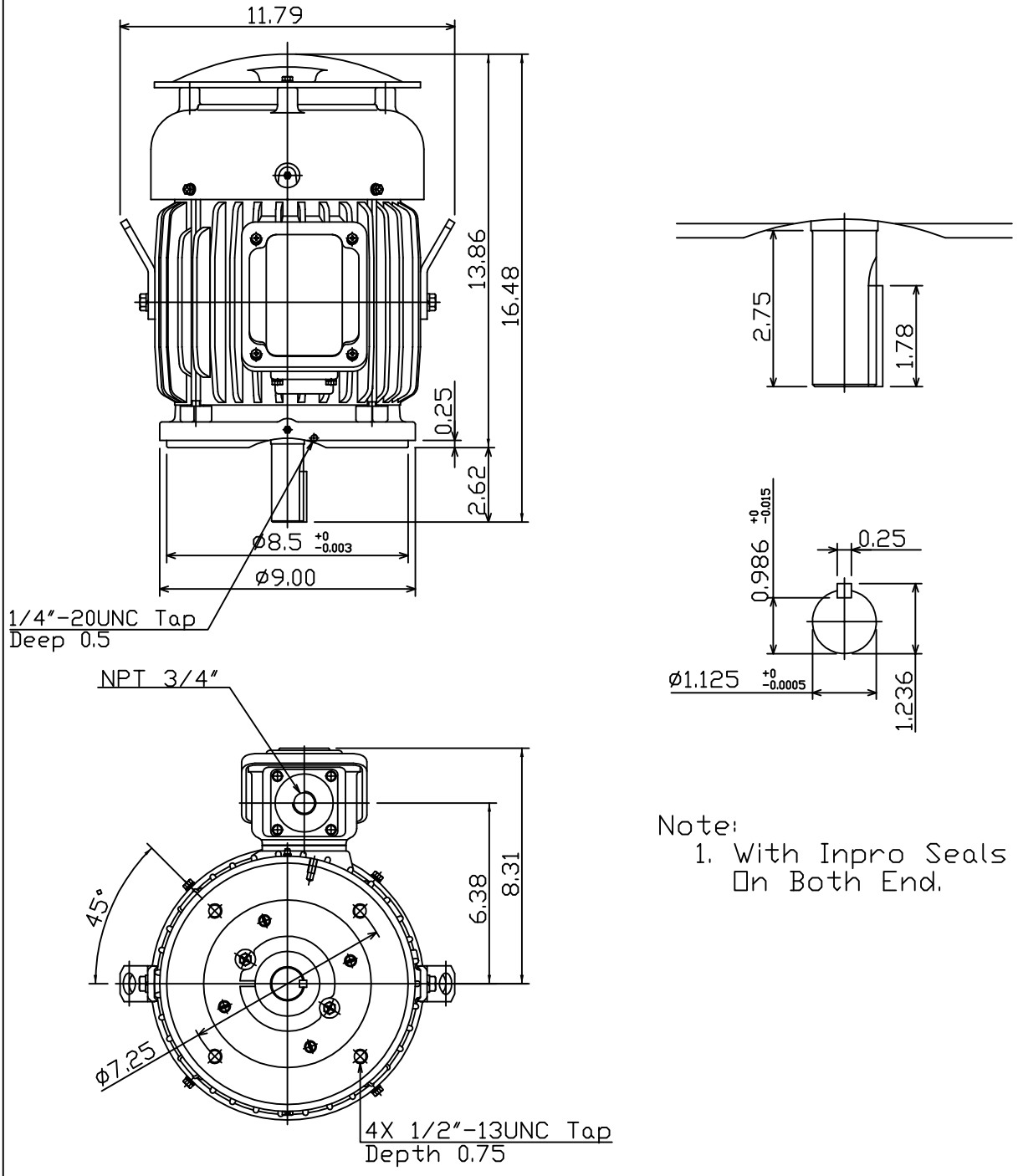
OUTLINE DIMENSIONS
3-PHASE INDUCTION MOTOR

MOTOR TYPE:
AEUH8B-DC
FRAME NO. 182TC

Pole	HP	kW	Hz	VOLT	Syn.Speed r/min(rpm)
6	1.5	1.12	60	460	1200

Ins	Rating	Dimension in	Approx Weight	Bearings
F	CONT.	inches	105 LBS	DE: 6306ZC3 NDE: 6306ZC3

Totally Enclosed Fan-Cooled Vertical Type.Squirrel-Cage Rotor.



Note:
1. With Inpro Seals
On Both End.

⊠			
---	--	--	--

DWN.	???????	01 07 09
CHKD.	???????	01 14 09
APPD.	???????	01 14 09



DWG NO.
31049M988120

TECO Westinghouse

ISSUED 8/29/2014	PERFORMANCE DATA 3-PHASE INDUCTION MOTOR	ENCLOSURE TEFC
TYPE AEUH8BDC		CATALOG# HBV1/56C

NAMEPLATE INFORMATION

OUTPUT		POLE	FRAME SIZE	VOLTAGE	HZ	RATED AMBIENT	INS. CLASS	NEMA DESIGN	TIME RATING	SERVICE FACTOR
HP	KW									
1.5	1.1	6	182TC	460	60	50°C	F	B	CONT.	1.15

VARIABLE FREQUENCY DRIVE SERVICE

VARIABLE TORQUE				OHMS/PHASE EQUIVALENT WYE CIRCUIT (AT RATED OPERATING TEMPERATURE 25°C)				
HZ	HP	RPM	TORQUE (lb-ft)	R1	R2	X1	X2	X _m
3~60	0.0002~1.5	60~1200	0.017~6.731	2.8805	3.8064	10.662	14.806	144.74

CONSTANT TORQUE				CONSTANT HORSEPOWER			
HZ	HP	RPM	TORQUE (lb-ft)	HZ	HP	RPM	TORQUE (lb-ft)
6~60	.15~1.5	120~1200	6.731	60~120	1.5	1200~2400	6.731~3.366

TYPICAL PERFORMANCE

FULL LOAD RPM	EFFICIENCY				POWER FACTOR			SOUND PRESSURE LEVEL @ 3 FT Db(A)
	FULL LOAD		3/4 LOAD %	1/2 LOAD %	FULL LOAD %	3/4 LOAD %	1/2 LOAD %	
	MIN.%	NOM.%						
1170	85.5	87.5	85.5	82.5	63.5	55	42.5	52

CURRENTS			NEMA KVA CODE LETTER	SAFE STALL TIME IN SECONDS	
NO LOAD	FULL LOAD	LOCKED ROTOR		COLD	HOT
AT 460 VOLT	AT 460 VOLT	AT 460 VOLT			
1.71	2.53	20	M	97	68

TORQUE				INERTIA			ACCEL TIME (DOL)		ALLOWABLE STARTS PER HOUR	
FULL LOAD (lb-ft)	LOCKED ROTOR %FLT	PULL UP %FLT	BREAK DOWN %FLT	ROTOR WR ² (lb-ft ²)	NEMA LOAD WK ² (lb-ft ²)	MAX ALLOWABLE WK ² (lb-ft ²)	NEMA LOAD WK ² Sec	MAX ALLOWABLE WK ² Sec	COLD	HOT
6.73	210	190	350	0.313	23	204	5.03	44.07	2	1

APPROVED:	M. PRATER	DRAWING NO.	31057HBV1/56C	REVISION:	1
-----------	------------------	-------------	----------------------	-----------	----------

DATE:
October 2, 2008

CONNECTION DIAGRAM

HBV1/56C



SCHEMATIC - Y CONNECTION

ACROSS THE LINE CONNECTION



460 VOLT CONNECTION