

BALDOR® • RELIANCE 

Product Information Packet

JMEWDM4114T

50HP,3530RPM,3PH,60HZ,326JM,TEFC,F1

Part Detail							
Revision:	A	Status:	PRD/A	Change #:		Proprietary:	No
Type:	AC	Elec. Spec:	12WGY830	CD Diagram:	CD0180	Mfg Plant:	
Mech. Spec:		Layout:	12LYL057	Poles:	02	Created Date:	12-17-2019
Base:		Eff. Date:	12-08-2020	Leads:	9#8		

Specs			
Catalog Number:	JMEWDM4114T	Feedback Device:	NO FEEDBACK
Enclosure:	TEFC	Heater Indicator:	No Heater
Frame:	326JM	Insulation Class:	F
Frame Material:	Iron	Inverter Code:	Not Inverter
Output @ Frequency:	50.000 HP @ 60 HZ	IP Rating:	NONE
Synchronous Speed @ Frequency:	3600 RPM @ 60 HZ	KVA Code:	F
Voltage @ Frequency:	460.0 V @ 60 HZ	Lifting Lugs:	Standard Lifting Lugs
	230.0 V @ 60 HZ	Locked Bearing Indicator:	Locked Bearing
XP Class and Group:	None	Motor Lead Termination:	Flying Leads
XP Division:	Not Applicable	Motor Type:	1266M
Agency Approvals:	CSA	Mounting Arrangement:	F1
	CSA EEV	Power Factor:	91
	UR	Product Family:	Washdown Features
Auxillary Box:	No Auxillary Box	Pulley Face Code:	C-Face
Auxillary Box Lead Termination:	None	Rodent Screen:	None
Base Indicator:	Rigid	Shaft Ground Indicator:	No Shaft Grounding
Bearing Grease Type:	Polyrex EM (-20F +300F)	Shaft Rotation:	Reversible
Blower:	None	Speed Code:	Single Speed

Current @ Voltage:	110.000 A @ 230.0 V	Motor Standards:	NEMA
	55.000 A @ 460.0 V	Starting Method:	Direct on line
Design Code:	B	Thermal Device - Bearing:	None
Drip Cover:	No Drip Cover	Thermal Device - Winding:	None
Duty Rating:	CONT	Vibration Sensor Indicator:	No Vibration Sensor
Electrically Isolated Bearing:	Not Electrically Isolated	Winding Thermal 1:	None
		Winding Thermal 2:	None

Nameplate NP1669											
CAT.NO.	JMEWDM4114T										
SPEC.	12-0000-1385										
HP	50										
VOLTS	230/460										
AMP	110/55										
RPM	3530										
FRAME	326JM				HZ	60		PH	3		
SER.F.	1.15			CODE	F		DES	B		CLASS	F
NEMA-NOM-EFF	93			PF	91						
RATING	40C AMB-CONT										
CC	010A				USABLE AT 208V						
DE	6312			ODE	6311						
ENCL	TEFC			SN							
BLANK	10:1 CT & VT,1.0SF										

Parts List		
Part Number	Description	Quantity
SA378606	SA 12-0000-1385	1.000 EA
RA368564	RA 12-0000-1385	1.000 EA
LB1115N	LABEL,LIFTING DEVICE (ON ROLLS)	1.000 EA
LB1119N	WARNING LABEL	1.000 EA
LC0181	CONNECTION LABEL	1.000 EA
NP1669	SS WD SUPER-E UL CSA CC REV MTG	1.000 EA
85XU0407S04	4X1/4 U DRIVE PIN STAINLESS	2.000 EA
MN416A01	TAG-INSTAL-MAINT no wire (2100/bx) 4/22	1.000 EA
12FH1002WP	FAN COVER, W/WHITE EPOXY, PRIMED CASTING	1.000 EA
HW1001S50	WASHER, 1/2 SPLT LK, STAINLESS STEEL	4.000 EA
XY5013S12	1/2-13 HEX R.H. NUT ST.S	4.000 EA
37FN3002C04	EXFN, PLASTIC, 6.00 OD, 2.003 ID	1.000 EA
HW2500A25	WOODRUFF KEY USA #1008 #BLOW CARBON STEE	1.000 EA
51XB1214A20	12-14X1.25 HXWSSLD SERTYB	1.000 EA
MJ1000A02	GREASE, MOBIL POLYREX EM - 124047	0.200 LB
WD4100A02	DP-1000 HEYCO PLUG OR 62MP1000 MICRO PL	1.000 EA
12EP1107A12WP	FREP TENV 324-6T NO GREASERS W/WHITE EPO	1.000 EA
HA3400S13	303 S.S. STUD, 1/2-13 X 7" WELKER	4.000 EA
HW1001S50	WASHER, 1/2 SPLT LK, STAINLESS STEEL	4.000 EA
HW5100A13	W4627-047 WVY WSHER	1.000 EA
HA4054	SHORT T-DRAIN FITTING, .125" N.P.T.	1.000 EA
12EP1105A12P	PU ENDPLATE, MACH - NO GREASERS W/EPOXY	1.000 EA
HW1001S50	WASHER, 1/2 SPLT LK, STAINLESS STEEL	1.000 EA
10XN5013S28	1/2-13X1 3/4 HEX SS CAP	4.000 EA

Parts List (continued)		
Part Number	Description	Quantity
HW4600B41	V-RING SLINGER 2.125 X 2.880 X 0.280	1.000 EA
HW4600B41	V-RING SLINGER 2.125 X 2.880 X 0.280	1.000 EA
HW4600B34	SINGLE LIP SEAL 2.250 X 2.997 X .438,DBL	1.000 EA
10XN3118S44	5/16-18 X 2 3/4 HEX HEAD SS	4.000 EA
HA4054	SHORT T-DRAIN FITTING, .125" N.P.T.	1.000 EA
10CB1000A203P	KOBX W/2.00 NPT & .31 GND MTG, EPOXY PRI	1.000 EA
09GS1010	GASKET, DWG, LEADWIRE SEPERATOR	1.000 EA
10XN3118K16	5/16-18 X 1' GRADE #5, STL, ZINC PLATE	4.000 EA
HW1001A31	LOCKWASHER 5/16, ZINC PLT.591 OD, .319 I	4.000 EA
WD1000B25	GND LUG, BURNDY L125HP OR T&B L125HP-BB	1.000 EA
19XW3118G08	.31-18X.50,HEX WSHR HD,TAPTITE 2,GREEN	1.000 EA
10CB1500P	CONDUIT BOX LID, MACH W/EPOXY PRIMER	1.000 EA
14GS1003	GASKET CONDUIT BOX LID, NEOP	1.000 EA
10XN2520S16	41/4-20 X 1 HEX HEAD SS	4.000 EA
HW1001S25	WASHER, 1/4 SPLT LK, STAINLESS STEEL	4.000 EA
MG1025W01	WILKOFAS, 781.01, SIGNAL WHITE #9003	0.125 GA
MJ5001A27	32220KN GRAY SEALER *MIN BUY 4 QTS=1GAL	0.031 QT
MJ5002A01	SILICON RUBBER SEALANT, 732CL 10.3 OZ TU	0.033 EA
12PA1000	PACKAGING GROUP PRINT PK1024A07	1.000 EA
HW2502E23	#303 SS,SQ KEY 1/4 X 2.625	1.000 EA

AC Induction Motor Performance Data

Record # 47134

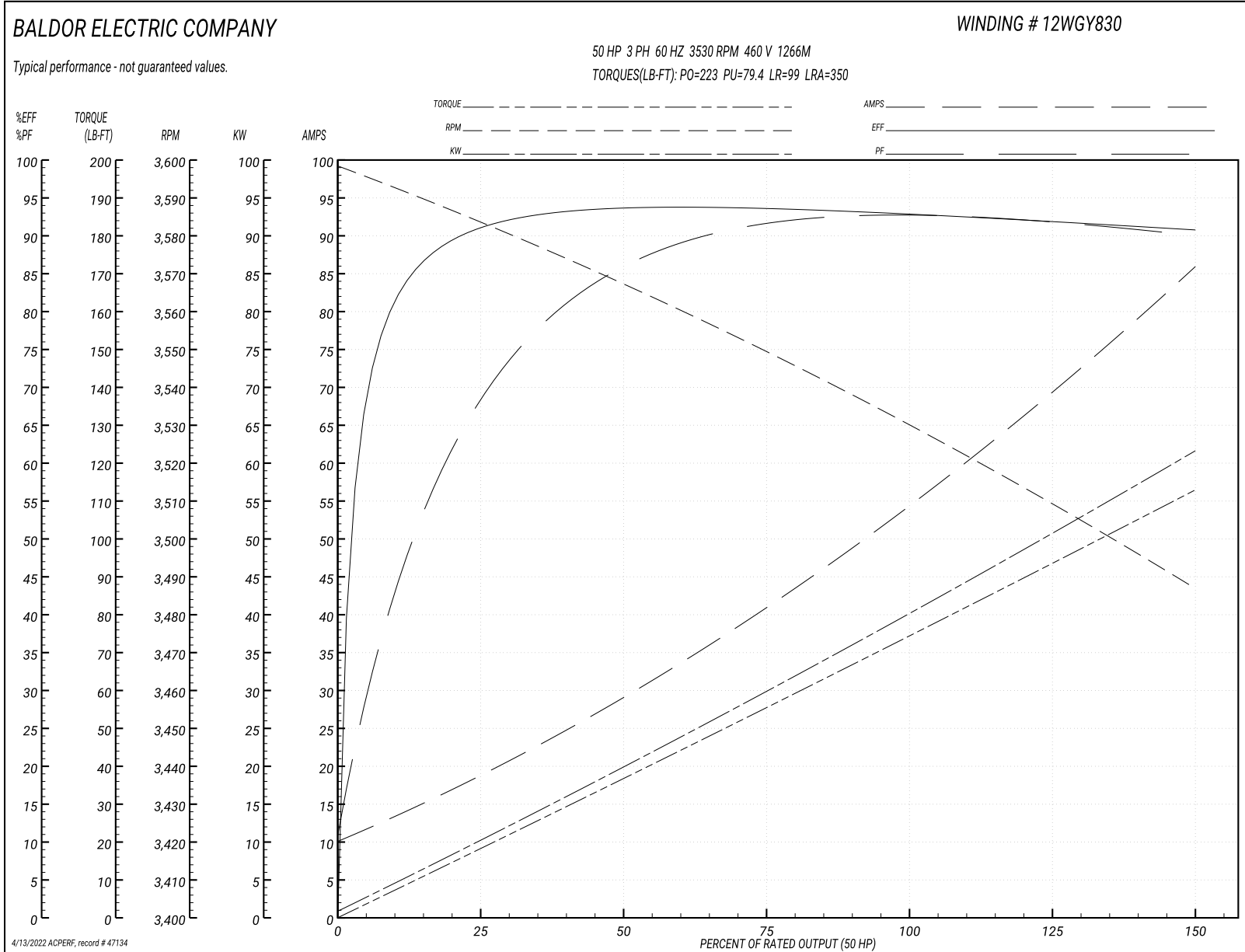
Typical performance - not guaranteed values

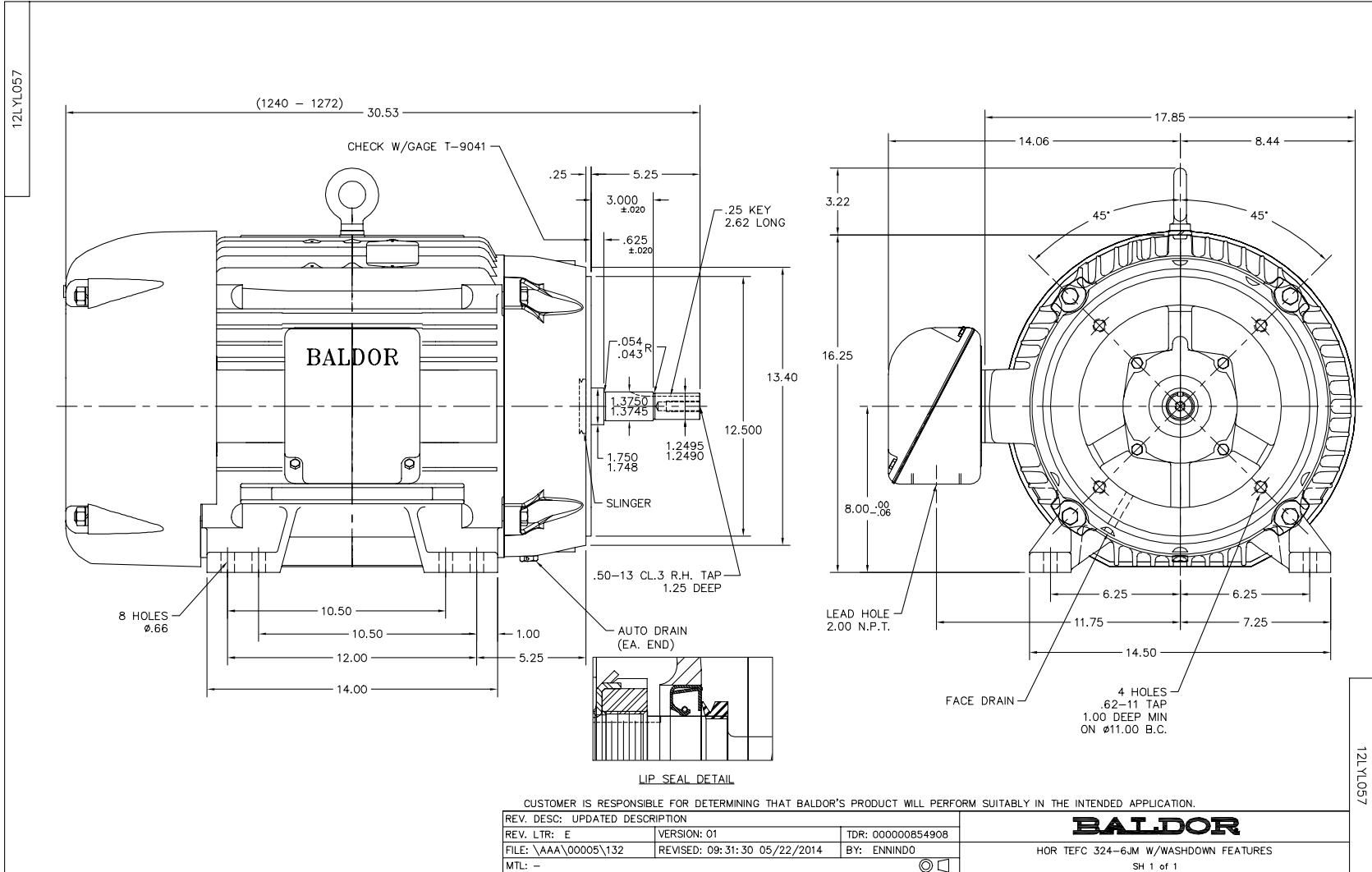
Winding: 12WGY830-R001		Type: 1266M	Enclosure: TEFC
Nameplate Data		460 V, 60 Hz: High Voltage Connection	
Rated Output (HP)	50	Full Load Torque	74.5 LB-FT
Volts	230/460	Start Configuration	direct on line
Full Load Amps	110/55	Breakdown Torque	223 LB-FT
R.P.M.	3530	Pull-up Torque	79.4 LB-FT
Hz	60 Phase	Locked-rotor Torque	99 LB-FT
NEMA Design Code	B KVA Code	Starting Current	350 A
Service Factor (S.F.)	1.15	No-load Current	11 A
NEMA Nom. Eff.	93 Power Factor	Line-line Res. @ 25°C	0.113 Ω
Rating - Duty	40C AMB-CONT	Temp. Rise @ Rated Load	78°C
S.F. Amps		Temp. Rise @ S.F. Load	97°C
		Locked-rotor Power Factor	20.1
		Rotor inertia	5.16 LB-FT ²

Load Characteristics 460 V, 60 Hz, 50 HP

% of Rated Load	25	50	75	100	125	150	S.F.
Power Factor	75	87	91	91	92	90	93
Efficiency	91	93.4	93.6	93	92	90.7	92.7
Speed	3583	3566	3549	3531	3510	3486	3548
Line amperes	17.7	28.8	41.5	55.2	69.5	85.6	62.7

Performance Graph at 460V, 60Hz, 50.0HP Typical performance - Not guaranteed values





CD0180



LOW VOLTAGE
(2D)



HIGH VOLTAGE
(1D)



NOTES:

1. INTERCHANGE ANY TWO LINE LEADS TO REVERSE ROTATION.
2. OPTIONAL THERMOSTATS ARE PROVIDED WHEN SPECIFIED.
3. ACTUAL NUMBER OF INTERNAL PARALLEL CIRCUITS MAY BE A MULTIPLE OF THOSE SHOWN ABOVE.
4. LEAD COLORS ARE OPTIONAL. LEADS MUST ALWAYS BE NUMBERED AS SHOWN.

CD0180

REV. DESC: ADD CLASS CONN00000007		
REV. LTR: D	VERSION: 01	TDR: 000001099922
FILE: \AAA\00005\148	REVISED: 10:25:29 02/19/2019	BY: ENBRIRO
MTL: -	© □	

BALDOR - RELIANCE®

3PH, DV, 9 LEADS, DELTA CONNECTION

SH 1 of 1

Marketing maintained PDF of MN416:

<http://www.baldor.com/support/Literature/Load.ashx/MN416?ManNumber=MN416>