

BALDOR® • RELIANCE 

Product Information Packet

JMFSWDM3546T-E

1HP, 1760RPM, 3PH, 60HZ, 143JM, 3522M, TENV, F1

| Part Detail | | | | | | | |
|-------------|---------|-------------|------------|-------------|--------|---------------|------------|
| Revision: | F | Status: | PRD/A | Change #: | | Proprietary: | No |
| Type: | AC | Elec. Spec: | 35WGW045 | CD Diagram: | CD0005 | Mfg Plant: | |
| Mech. Spec: | 35E4762 | Layout: | 35LYE4762 | Poles: | 04 | Created Date: | 08-11-2017 |
| Base: | RG | Eff. Date: | 04-28-2021 | Leads: | 9#18 | | |

| Specs | | | |
|---------------------------------|-------------------------|--------------------------------|------------------------|
| Catalog Number: | JMFSWDM3546T-E | Inverter Code: | Inverter Ready |
| Enclosure: | TENV | KVA Code: | M |
| Frame: | 143JM | Lifting Lugs: | No Lifting Lugs |
| Frame Material: | Stainless Steel | Locked Bearing Indicator: | Locked Bearing |
| Output @ Frequency: | 1.000 HP @ 60 HZ | Motor Finish: | UNPAINTED |
| Synchronous Speed @ Frequency: | 1800 RPM @ 60 HZ | Motor Lead Quantity/Wire Size: | 9 @ 18 AWG |
| Voltage @ Frequency: | 460.0 V @ 60 HZ | Motor Lead Exit: | Ko Box |
| | 230.0 V @ 60 HZ | Motor Lead Termination: | Flying Leads |
| XP Class and Group: | None | Motor Type: | 3522M |
| XP Division: | Not Applicable | Mounting Arrangement: | F1 |
| Agency Approvals: | CSA | Power Factor: | 74 |
| | UR | Product Family: | WD All SS Encapsulated |
| Auxillary Box: | No Auxillary Box | Pulley End Bearing Type: | Sealed Bearing |
| Auxillary Box Lead Termination: | None | Pulley Face Code: | C-Face |
| Base Indicator: | Rigid | Pulley Shaft Indicator: | Tapped & Key |
| Bearing Grease Type: | Polyrex EM (-20F +300F) | Rodent Screen: | None |
| Blower: | None | RoHS Status: | ROHS COMPLIANT |
| Current @ Voltage: | 1.500 A @ 460.0 V | Shaft Extension Location: | Pulley End |

| | | | |
|---------------------------------------|---------------------------|------------------------------------|---------------------|
| | 3.000 A @ 230.0 V | Shaft Ground Indicator: | No Shaft Grounding |
| | 3.100 A @ 208.0 V | Shaft Rotation: | Reversible |
| Design Code: | B | Shaft Slinger Indicator: | No Slinger |
| Drip Cover: | No Drip Cover | Speed Code: | Single Speed |
| Duty Rating: | CONT | Motor Standards: | NEMA |
| Electrically Isolated Bearing: | Not Electrically Isolated | Starting Method: | Direct on line |
| Feedback Device: | NO FEEDBACK | Thermal Device - Bearing: | None |
| Front Face Code: | Standard | Thermal Device - Winding: | None |
| Front Shaft Indicator: | None | Vibration Sensor Indicator: | No Vibration Sensor |
| Heater Indicator: | No Heater | Winding Thermal 1: | None |
| Insulation Class: | H | Winding Thermal 2: | None |

| | | | | | | | | | | |
|----------------------------|----------------|--|-------------|----|-----------------------|------|--|--------------|-----------|---|
| Nameplate NP1953A01 | | | | | | | | | | |
| CAT.NO. | JMFSWDM3546T-E | | | | | | | | | |
| SPEC. | 35E4762W045G1 | | | | | | | | | |
| HP | 1 | | | | | | | | | |
| VOLTS | 230/460 | | | | | | | | | |
| AMP | 3/1.5 | | | | | | | | | |
| RPM | 1760 | | | | | | | | | |
| FRAME | 143JM | | | | HZ | 60 | | | PH | 3 |
| SER.F. | 1.15 | | CODE | M | DES | B | | CLASS | H | |
| NEMA-NOM-EFF | 85.5 | | PF | 74 | | | | | | |
| RATING | 40C AMB-CONT | | | | | | | | | |
| CC | 010A | | | | USABLE AT 208V | | | 3.1 | | |
| DE | 6206 | | | | ODE | 6205 | | | | |
| ENCL | TENV | | SN | | | | | | | |
| | 4:1CT, 10:1VT | | | | | | | | | |

| Parts List | | |
|--------------|--|----------|
| Part Number | Description | Quantity |
| SA350723 | SA 35E4762W045G1 | 1.000 EA |
| RA339388 | RA 35E4762W045G1 | 1.000 EA |
| 35CB1012A01 | 35-36 MACH MID SECTION - 3 PC. CONDUIT B | 1.000 EA |
| 10XN1032FS08 | HEX HD CAP SCREW 10-32 X 1/2 SS FOOD SAF | 3.000 EA |
| 11XW1032G08 | 10-32 X .50, TAPTITE II, HEX WSHR SLTD U | 1.000 EA |
| HW3001B02 | BRASS CUP WASHER W/GROUND SYMBOL TAB, | 1.000 EA |
| 35EP1940A03 | FRONT TENV 205 BRG (STAINLESS) | 1.000 EA |
| RM1070A25 | O-RING, VITON/FKM .070CS X 6.190ID | 1.000 EA |
| HA4054 | SHORT T-DRAIN FITTING, .125" N.P.T. | 1.000 EA |
| HW4500S33 | 1/8 NPT STAINLESS #304 SS PLUG | 3.000 EA |
| HW5100A05 | WVY WSHR F/205 & 304 BRGS | 1.000 EA |
| 35EP1936A02 | PU EP ENCL 206 BRG 56C/143-5TC (STAINLES | 1.000 EA |
| RM1070A25 | O-RING, VITON/FKM .070CS X 6.190ID | 1.000 EA |
| HW4600G02 | 30 X 47 X 8 LIP SEAL, GRAPHITE INFUSED V | 1.000 EA |
| HW4600F25 | 30 X 48 X 4.5 AFX SEAL, GRAPHITE INFUSED | 1.000 EA |
| HW4500S33 | 1/8 NPT STAINLESS #304 SS PLUG | 3.000 EA |
| HA4054 | SHORT T-DRAIN FITTING, .125" N.P.T. | 1.000 EA |
| RM1070A26 | O-RING,4.5MM I.D.X1.5MM C.S. (VITON) | 4.000 EA |
| RM1070A81 | O-RING, -043 VITON/FKM .070CS X 3.489ID | 1.000 EA |
| 35CB1511A01 | 35-36-37 MACH. LID - 3 PC. CONDUIT BOX | 1.000 EA |
| RM1070A81 | O-RING, -043 VITON/FKM .070CS X 3.489ID | 1.000 EA |
| HW2502D13 | SS KEY, 3/16 SQ X 1.375 | 1.000 EA |
| HA7000A04 | KEY RETAINER 0.625 DIA SHAFTS | 1.000 EA |
| MJ5001A27 | 32220KN GRAY SEALER *MIN BUY 4 QTS=1GAL | 0.005 QT |

| Parts List (continued) | | |
|-------------------------------|--|-----------------|
| Part Number | Description | Quantity |
| MJ5004A93 | FOOD GRADE (H1 RATED) ANTISEIZE THRD COM | 0.005 EA |
| HA1025A21 | WSHR,FELT .125" THK | 1.000 EA |
| MJ1000A02 | GREASE, MOBIL POLYREX EM - 124047 | 0.050 LB |
| WD5603A01 | KIT, CLOSED-END LEAD SPLICE (18-14GA) | 1.000 EA |
| HA3100FS25 | THRUBOLT, 10-32 X 9.500 SS FOOD SAFE | 4.000 EA |
| 36PA1000 | PKG GRP, PRINT PK1016A06 | 1.000 EA |
| MN416A01 | TAG-INSTAL-MAINT no wire (2100/bx) 4/22 | 1.000 EA |
| HA5027A07 | 85XU1208S08 FACE DRAIN PINS BAGGED | 1.000 EA |
| FE-0000001 | ZRTG FE ASSEMBLY | 1.000 EA |
| PE-0000002 | ZRTG PE ASSEMBLY | 1.000 EA |

AC Induction Motor Performance Data

Record # 57985

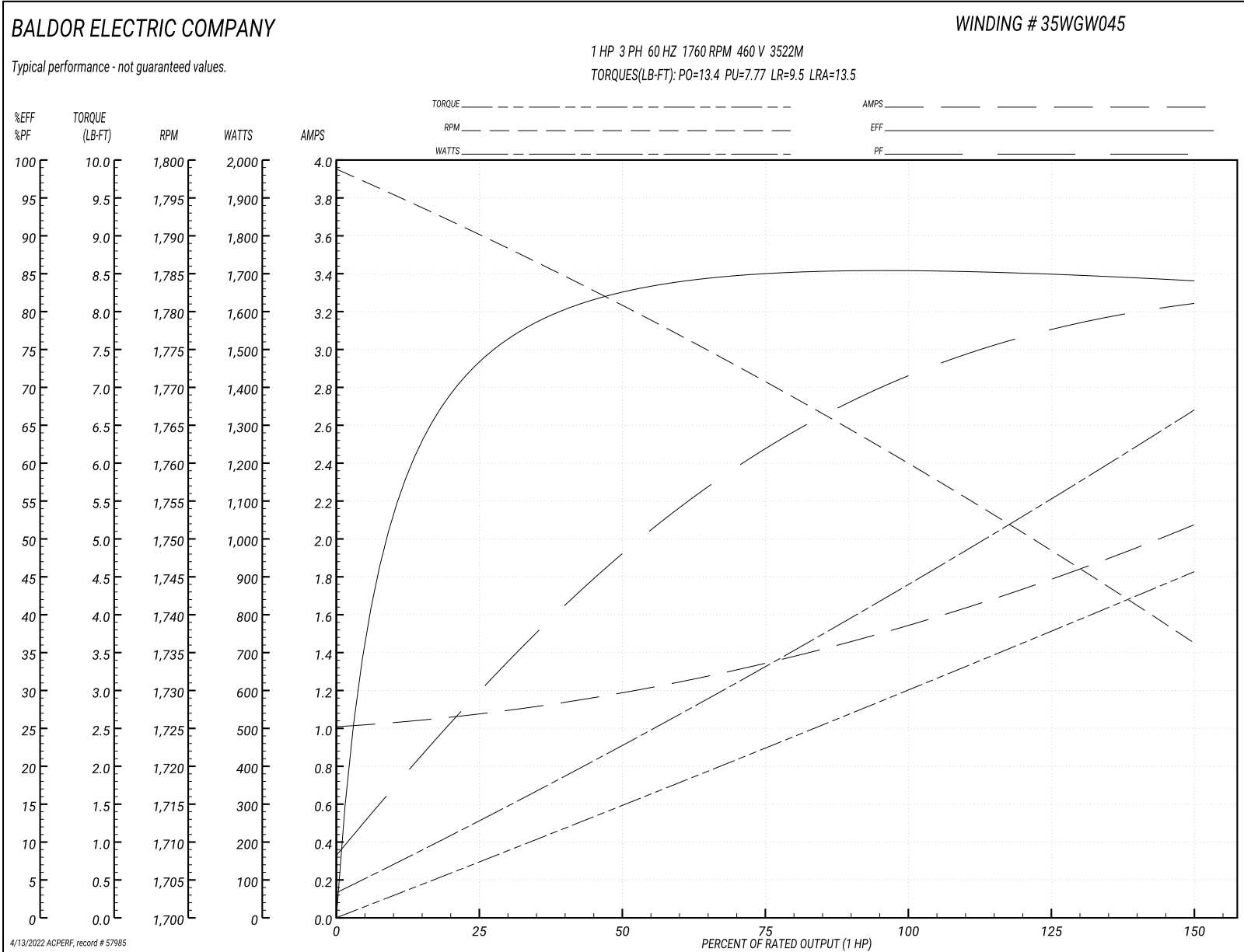
Typical performance - not guaranteed values

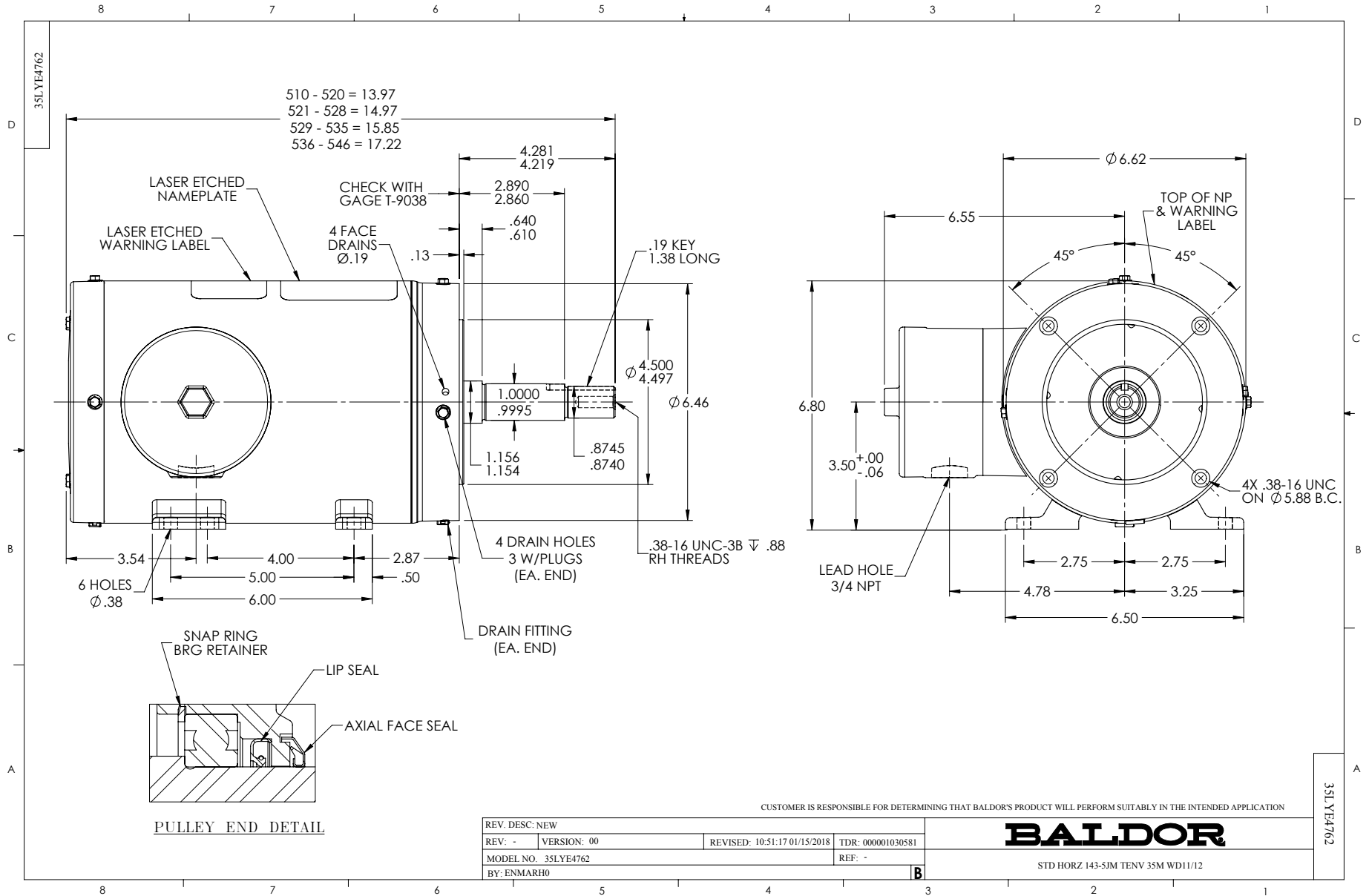
| Winding: 35WGW045-R001 | | Type: 3522M | | Enclosure: TENV | | |
|-------------------------------|-------------------|----------------------------|--|------------------------------|----------|--|
| Nameplate Data | | | 460 V, 60 Hz: High Voltage Connection | | | |
| Rated Output (HP) | 1 | Full Load Torque | 3.007 LB-FT | | | |
| Volts | 208-230/460 | Start Configuration | direct on line | | | |
| Full Load Amps | 3.1-3/1.5 | Breakdown Torque | 13.4 LB-FT | | | |
| R.P.M. | 1760 | Pull-up Torque | 7.77 LB-FT | | | |
| Hz | 60 Phase | 3 | Locked-rotor Torque | 9.5 LB-FT | | |
| NEMA Design Code | B KVA Code | M | Starting Current | 13.5 A | | |
| Service Factor (S.F.) | 1.15 | No-load Current | 1.02 A | | | |
| NEMA Nom. Eff. | 85.5 | Power Factor | 74 | Line-line Res. @ 25°C | 14.736 Ω | |
| Rating - Duty | 40C | AMB-CONT | Temp. Rise @ Rated Load | 78°C | | |
| S.F. Amps | | | Temp. Rise @ S.F. Load | 91°C | | |
| | | | Locked-rotor Power Factor | 54 | | |

Load Characteristics 460 V, 60 Hz, 1 HP

| % of Rated Load | 25 | 50 | 75 | 100 | 125 | 150 | S.F. |
|------------------------|-----------|-----------|-----------|------------|------------|------------|-------------|
| Power Factor | 31 | 49 | 62 | 71 | 77 | 81 | 75 |
| Efficiency | 73.6 | 82.3 | 85 | 85.5 | 85.1 | 84 | 85.3 |
| Speed | 1789.9 | 1780.1 | 1770.8 | 1760.2 | 1748.7 | 1736 | 1753 |
| Line amperes | 1.06 | 1.19 | 1.35 | 1.55 | 1.79 | 2.07 | 1.69 |

Performance Graph at 460V, 60Hz, 1.0HP Typical performance - Not guaranteed values





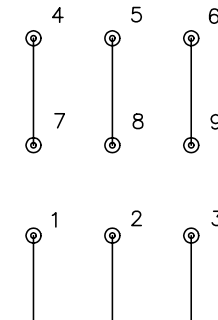
CD0005



LOW VOLTAGE
(2Y)



HIGH VOLTAGE
(1Y)



NOTES:

1. INTERCHANGE ANY TWO LINE LEADS TO REVERSE ROTATION.
2. OPTIONAL THERMOSTATS ARE PROVIDED WHEN SPECIFIED.
3. ACTUAL NUMBER OF INTERNAL PARALLEL CIRCUITS MAY BE A MULTIPLE OF THOSE SHOWN ABOVE.
4. LEAD COLORS ARE OPTIONAL. LEADS MUST ALWAYS BE NUMBERED AS SHOWN.

| | | | |
|---|---------|-------------------------|--------------|
| REV. DESC: REVISE TO SHOW OPTIONAL COLORS | | | |
| REV. LTR: E | BY: JLP | REVISED: 01/19/99 10:15 | TDR: 0171435 |
| 90000 | | FILE: AAA00005140 | MDL: - |
| | | MTL: - | |

BALDOR ELECTRIC Co.

3PH, DV, 9 LEADS

CD0005