

BALDOR® • RELIANCE 

Product Information Packet

JMFSWDM3550T-E

1.5HP,3500RPM,3PH,60HZ,143JM,3532M,TENV

Part Detail							
Revision:	H	Status:	PRD/A	Change #:		Proprietary:	No
Type:	AC	Elec. Spec:	35WGR929	CD Diagram:	CD0005	Mfg Plant:	
Mech. Spec:	35E4762	Layout:	35LYE4762	Poles:	02	Created Date:	08-10-2017
Base:	RG	Eff. Date:	04-28-2021	Leads:	9#18 15" lead length,0#0 dbl dip & bake,0#0 phase insulaY		

Specs			
Catalog Number:	JMFSWDM3550T-E	Inverter Code:	Inverter Ready
Enclosure:	TENV	KVA Code:	M
Frame:	143JM	Lifting Lugs:	No Lifting Lugs
Frame Material:	Stainless Steel	Locked Bearing Indicator:	Locked Bearing
Output @ Frequency:	1.500 HP @ 60 HZ	Motor Finish:	UNPAINTED
Synchronous Speed @ Frequency:	3600 RPM @ 60 HZ	Motor Lead Quantity/Wire Size:	@ 0 AWG
Voltage @ Frequency:	460.0 V @ 60 HZ		9 @ 18 AWG
	230.0 V @ 60 HZ	Motor Lead Exit:	Ko Box
XP Class and Group:	None	Motor Lead Termination:	Flying Leads
XP Division:	Not Applicable	Motor Type:	3532M
Agency Approvals:	CSA	Mounting Arrangement:	F1
	UR	Power Factor:	90
Auxillary Box:	No Auxillary Box	Product Family:	WD All SS Encapsulated
Auxillary Box Lead Termination:	None	Pulley End Bearing Type:	Sealed Bearing
Base Indicator:	Rigid	Pulley Face Code:	C-Face
Bearing Grease Type:	Polyrex EM (-20F +300F)	Pulley Shaft Indicator:	Tapped & Key
Blower:	None	Rodent Screen:	None
Current @ Voltage:	1.800 A @ 460.0 V	RoHS Status:	ROHS COMPLIANT

	3.600 A @ 230.0 V	Shaft Extension Location:	Pulley End
	3.700 A @ 208.0 V	Shaft Ground Indicator:	No Shaft Grounding
Design Code:	B	Shaft Rotation:	Reversible
Drip Cover:	No Drip Cover	Shaft Slinger Indicator:	No Slinger
Duty Rating:	CONT	Speed Code:	Single Speed
Electrically Isolated Bearing:	Not Electrically Isolated	Motor Standards:	NEMA
Feedback Device:	NO FEEDBACK	Starting Method:	Direct on line
Front Face Code:	Standard	Thermal Device - Bearing:	None
Front Shaft Indicator:	None	Thermal Device - Winding:	None
Heater Indicator:	No Heater	Vibration Sensor Indicator:	No Vibration Sensor
Insulation Class:	H	Winding Thermal 1:	None
		Winding Thermal 2:	None

Nameplate NP1953A01										
CAT.NO.	JMFSWDM3550T-E									
SPEC.	35E4762R929G1									
HP	1.5									
VOLTS	230/460									
AMP	3.6/1.8									
RPM	3500									
FRAME	143JM				HZ	60			PH	3
SER.F.	1.15		CODE	M	DES	B		CLASS	H	
NEMA-NOM-EFF	85.5			PF	90					
RATING	40C AMB-CONT									
CC	010A				USABLE AT 208V			3.7		
DE	6206			ODE	6205					
ENCL	TENV		SN							
	4:1CT, 10:1VT									

Parts List		
Part Number	Description	Quantity
SA350600	SA 35E4762R929G1	1.000 EA
RA339256	RA 35E4762R929G1	1.000 EA
35CB1012A01	35-36 MACH MID SECTION - 3 PC. CONDUIT B	1.000 EA
10XN1032FS08	HEX HD CAP SCREW 10-32 X 1/2 SS FOOD SAF	3.000 EA
11XW1032G08	10-32 X .50, TAPTITE II, HEX WSHR SLTD U	1.000 EA
HW3001B02	BRASS CUP WASHER W/GROUND SYMBOL TAB,	1.000 EA
35EP1940A03	FRONT TENV 205 BRG (STAINLESS)	1.000 EA
RM1070A25	O-RING, VITON/FKM .070CS X 6.190ID	1.000 EA
HA4054	SHORT T-DRAIN FITTING, .125" N.P.T.	1.000 EA
HW4500S33	1/8 NPT STAINLESS #304 SS PLUG	3.000 EA
HW5100A05	WVY WSHR F/205 & 304 BRGS	1.000 EA
35EP1936A02	PU EP ENCL 206 BRG 56C/143-5TC (STAINLES	1.000 EA
RM1070A25	O-RING, VITON/FKM .070CS X 6.190ID	1.000 EA
HW4600G02	30 X 47 X 8 LIP SEAL, GRAPHITE INFUSED V	1.000 EA
HW4600F25	30 X 48 X 4.5 AFX SEAL, GRAPHITE INFUSED	1.000 EA
HW4500S33	1/8 NPT STAINLESS #304 SS PLUG	3.000 EA
HA4054	SHORT T-DRAIN FITTING, .125" N.P.T.	1.000 EA
RM1070A26	O-RING,4.5MM I.D.X1.5MM C.S. (VITON)	4.000 EA
RM1070A81	O-RING, -043 VITON/FKM .070CS X 3.489ID	1.000 EA
35CB1511A01	35-36-37 MACH. LID - 3 PC. CONDUIT BOX	1.000 EA
RM1070A81	O-RING, -043 VITON/FKM .070CS X 3.489ID	1.000 EA
HW2502D13	SS KEY, 3/16 SQ X 1.375	1.000 EA
HA7000A04	KEY RETAINER 0.625 DIA SHAFTS	1.000 EA
MJ5001A27	32220KN GRAY SEALER *MIN BUY 4 QTS=1GAL	0.005 QT

Parts List (continued)		
Part Number	Description	Quantity
MJ5004A93	FOOD GRADE (H1 RATED) ANTISEIZE THRD COM	0.005 EA
HA1025A21	WSHR,FELT .125" THK	1.000 EA
MJ1000A02	GREASE, MOBIL POLYREX EM - 124047	0.050 LB
WD5603A01	KIT, CLOSED-END LEAD SPLICE (18-14GA)	1.000 EA
HA3100FS60	THRUBOLT, 10-32 X 10.375 SS FOOD SAFE	4.000 EA
36PA1001	PKG GRP, PRINT PK1017A06	1.000 EA
MN416A01	TAG-INSTAL-MAINT no wire (2100/bx) 4/22	1.000 EA
HA5027A07	85XU1208S08 FACE DRAIN PINS BAGGED	1.000 EA
FE-0000001	ZRTG FE ASSEMBLY	1.000 EA
PE-0000002	ZRTG PE ASSEMBLY	1.000 EA

AC Induction Motor Performance Data

Record # 20333

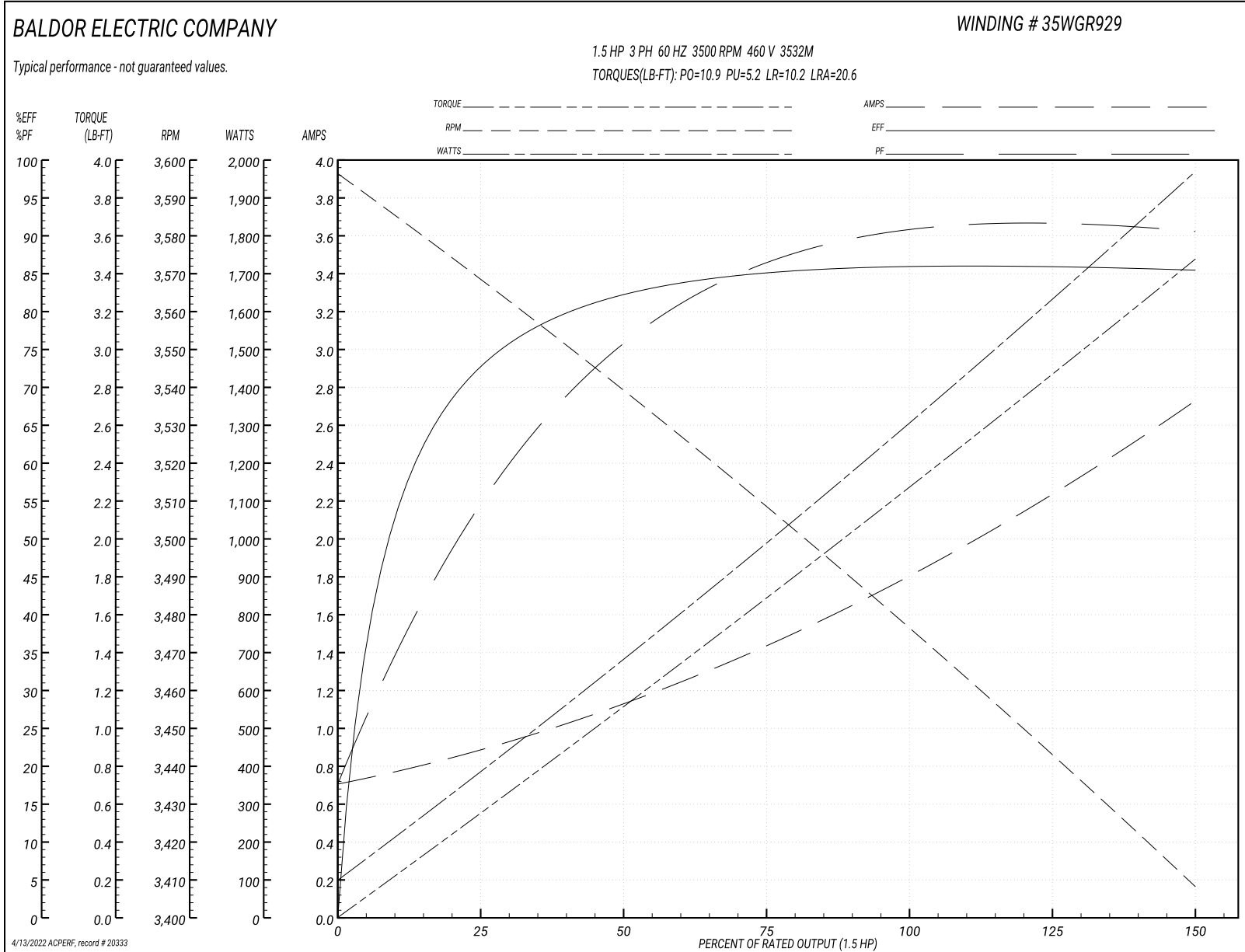
Typical performance - not guaranteed values

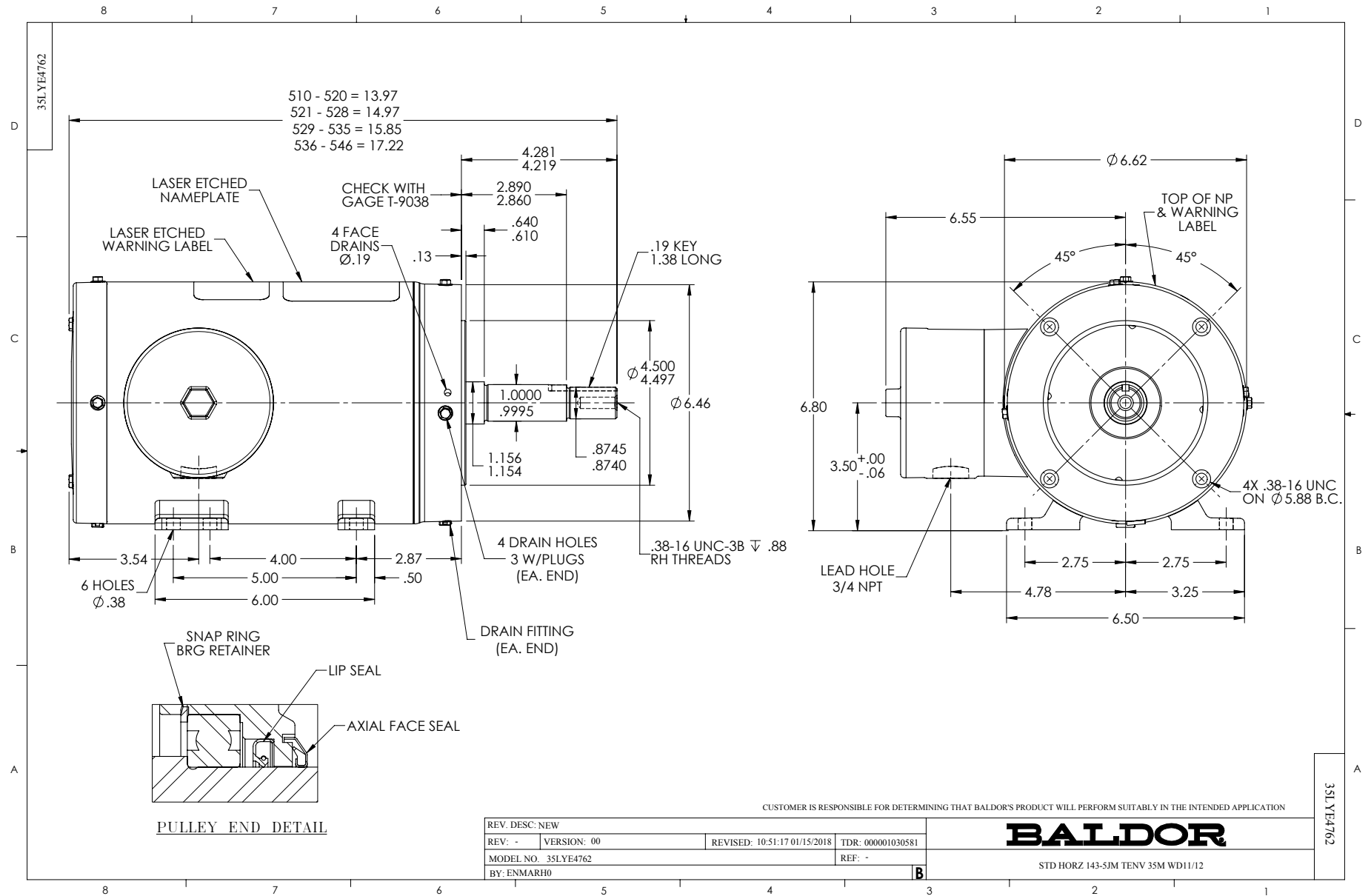
Winding: 35WGR929-R003			Type: 3532M	Enclosure: TENV	
Nameplate Data			460 V, 60 Hz: High Voltage Connection		
Rated Output (HP)	1.5		Full Load Torque	2.31 LB-FT	
Volts	208-230/460		Start Configuration	direct on line	
Full Load Amps	3.7-3.6/1.8		Breakdown Torque	10.9 LB-FT	
R.P.M.	3500		Pull-up Torque	5.2 LB-FT	
Hz	60 Phase	3	Locked-rotor Torque	10.2 LB-FT	
NEMA Design Code	B	KVA Code	M	Starting Current	20.6 A
Service Factor (S.F.)	1.15		No-load Current	0.694 A	
NEMA Nom. Eff.	85.5	Power Factor	90	Line-line Res. @ 25°C	7.64 Ω
Rating - Duty	40C	AMB-CONT		Temp. Rise @ Rated Load	78°C
S.F. Amps				Temp. Rise @ S.F. Load	90°C
				Locked-rotor Power Factor	46
				Rotor inertia	0.0885 LB-FT ²

Load Characteristics 460 V, 60 Hz, 1.5 HP

% of Rated Load	25	50	75	100	125	150	S.F.
Power Factor	55	77	86	92	93	90	93
Efficiency	73.8	82.3	85.2	86.1	85.9	85.5	86
Speed	3564	3536	3507	3476	3444	3406	3457
Line amperes	0.907	1.15	1.48	1.81	2.23	2.75	2.06

Performance Graph at 460V, 60Hz, 1.5HP Typical performance - Not guaranteed values





CD0005



LOW VOLTAGE
(2Y)



LINE

HIGH VOLTAGE
(1Y)



LINE

NOTES:

1. INTERCHANGE ANY TWO LINE LEADS TO REVERSE ROTATION.
2. OPTIONAL THERMOSTATS ARE PROVIDED WHEN SPECIFIED.
3. ACTUAL NUMBER OF INTERNAL PARALLEL CIRCUITS MAY BE A MULTIPLE OF THOSE SHOWN ABOVE.
4. LEAD COLORS ARE OPTIONAL. LEADS MUST ALWAYS BE NUMBERED AS SHOWN.

REV. DESC: REVISE TO SHOW OPTIONAL COLORS

REV. LTR: E BY: JLP

REVISED: 01/19/99 10:15

TDR: 0171435

90000

FILE: AAA00005140

MDL: -

MTL: -

BALDOR ELECTRIC Co.

3PH, DV, 9 LEADS

CD0005