

DATE
Nov. 1, 2016
Cat. #: JMP0302

OUTLINE DIMENSIONS

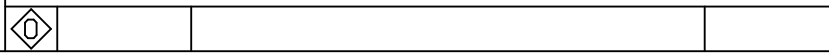
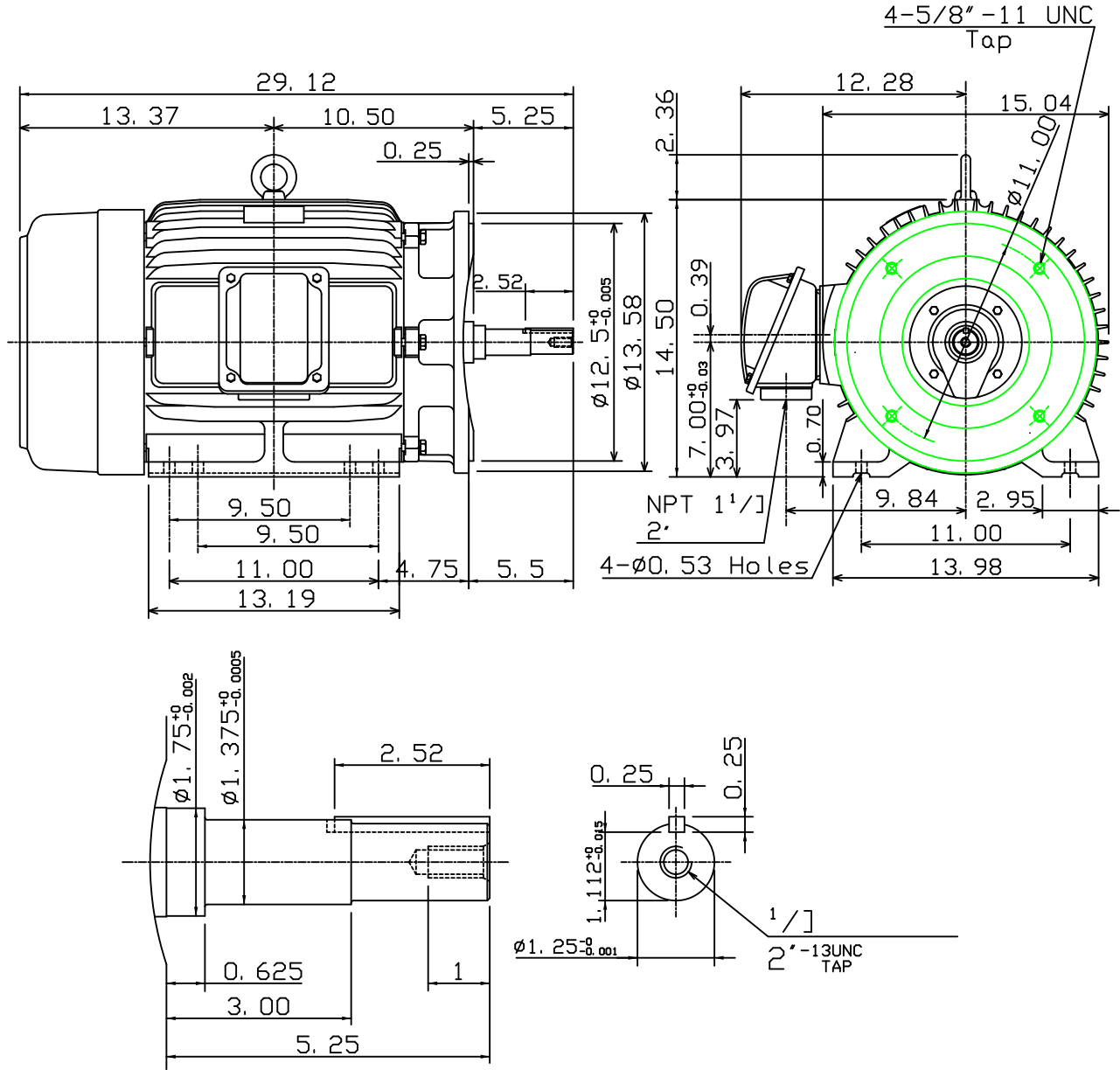
3-PHASE INDUCTION MOTOR

MOTOR TYPE:
AEHH8NJMP
FRAME NO. 286JM

Pole	HP	kW	Hz	VOLT	Syn. Speed r/min(rpm)
2	30	22.38	60	230/460	3600

Ins	Rating	Dimension in	Approx Weight	Bearings
F	CONT.	inches	455 lbs.	DE: 6211C3 NDE: 6211C3

Totally Enclosed Fan-Cooled Type, Squirrel-Cage Rotor.



DWN.	K. L. KUO	02-13-08
CHKD.	K. L. KUO	02-14-08
APPD.	M. C. TSAI	02-14-08



DWG NO.
31057H211290

TECO Westinghouse

ISSUED 11/2/2016	PERFORMANCE DATA 3-PHASE INDUCTION MOTOR	ENCLOSURE TEFC
TYPE AEHH8NJMP		CATALOG# JMP0302

NAMEPLATE INFORMATION

OUTPUT		POLE	FRAME SIZE	VOLTAGE	HZ	RATED AMBIENT	INS. CLASS	NEMA DESIGN	TIME RATING	SERVICE FACTOR
HP	KW									
30	22.4	2	286JM	230/460	60	40°C	F	B	CONT.	1.15

VARIABLE FREQUENCY DRIVE SERVICE

VARIABLE TORQUE				OHMS/PHASE EQUIVALENT WYE CIRCUIT (AT RATED OPERATING TEMPERATURE 25°C)				
HZ	HP	RPM	TORQUE (lb-ft)	R1	R2	X1	X2	X _m
3~60	0.0038~30	180~3600	0.111~44.43	0.124	0.1778	0.676	1.0989	43.309

CONSTANT TORQUE				CONSTANT HORSEPOWER			
HZ	HP	RPM	TORQUE (lb-ft)	HZ	HP	RPM	TORQUE (lb-ft)
6~60	3~30	360~3600	44.43	60~90	30	3600~5400	44.43~29.62

TYPICAL PERFORMANCE

FULL LOAD RPM	EFFICIENCY				POWER FACTOR			SOUND PRESSURE LEVEL @ 3 FT Db(A)
	FULL LOAD		3/4 LOAD %	1/2 LOAD %	FULL LOAD %	3/4 LOAD %	1/2 LOAD %	
	MIN.%	NOM.%						
3545	91.7	93	93.6	93	91	90.5	87.5	77

CURRENTS									NEMA KVA CODE LETTER	SAFE STALL TIME IN SECONDS	
NO LOAD			FULL LOAD			LOCKED ROTOR				COLD	HOT
AT 208 VOLT	AT 230 VOLT	AT 460 VOLT	AT 208 VOLT	AT 230 VOLT	AT 460 VOLT	AT 208 VOLT	AT 230 VOLT	AT 460 VOLT			
10.20	12.08	6.04	73.42	66.40	33.20	394.3	436.0	218	G	24	17

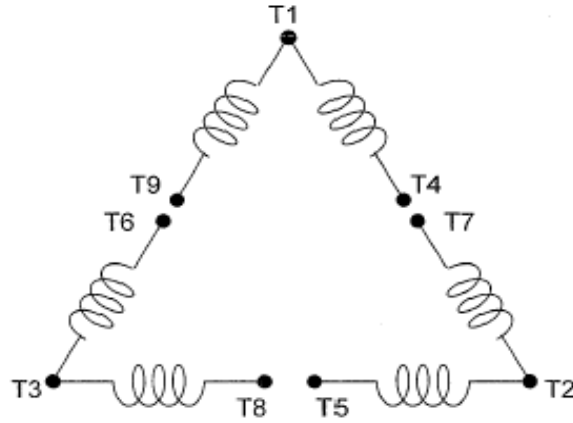
TORQUE				INERTIA			ACCEL TIME (DOL)		ALLOWABLE STARTS PER HOUR	
FULL LOAD (lb-ft)	LOCKED ROTOR %FLT	PULL UP %FLT	BREAK DOWN %FLT	ROTOR WR ² (lb-ft ²)	NEMA LOAD WK ² (lb-ft ²)	MAX ALLOWABLE WK ² (lb-ft ²)	NEMA LOAD WK ² Sec	MAX ALLOWABLE WK ² Sec	COLD	HOT
44.43	175	140	240	2.831	30	73	4.36	10.07	2	1

APPROVED:	M. PRATER	DRAWING NO.	31057JMP0302	REVISION:	1
-----------	------------------	-------------	---------------------	-----------	----------

DATE:
June 28, 2005

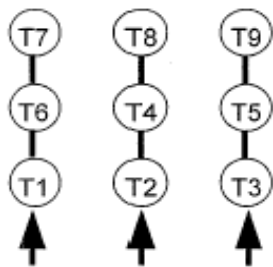
CONNECTION DIAGRAM

CATALOG NO.:
JMP0302

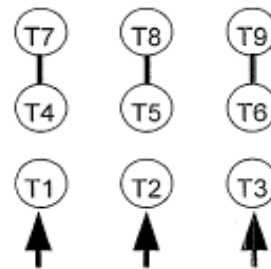


SCHEMATIC - 2Δ / Δ CONNECTION

ACROSS THE LINE CONNECTION



**LINE
230 VOLT CONNECTION**



**LINE
460 VOLT CONNECTION**