

DATE
Nov. 1, 2016
Cat. #: JMP1/54

OUTLINE DIMENSIONS

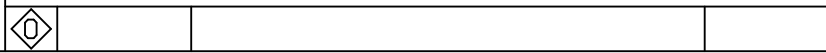
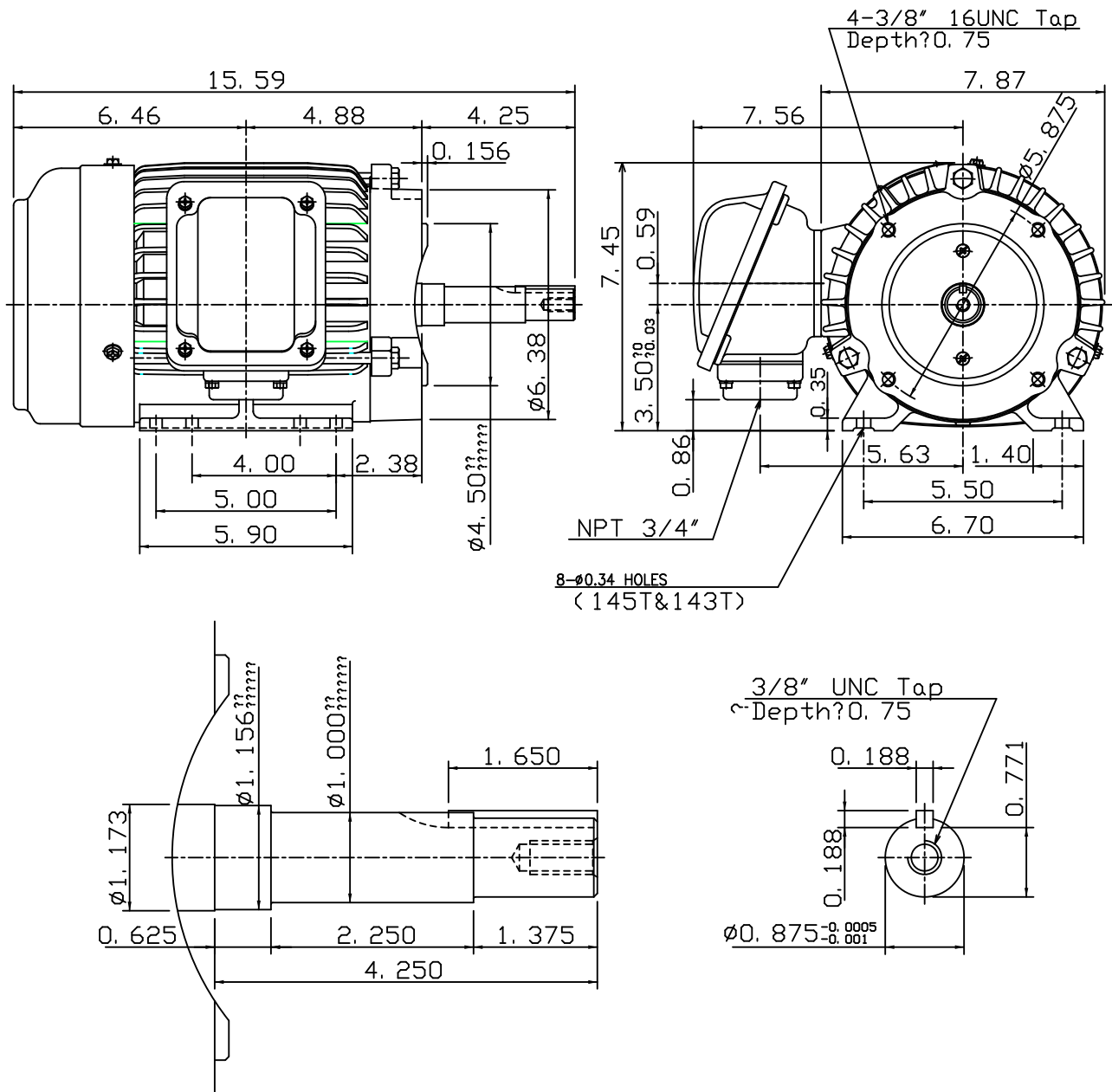
3-PHASE INDUCTION MOTOR

MOTOR TYPE:
AEHH8NJMP
FRAME NO. 145JM

Pole	HP	kW	Hz	VOLT	Syn. Speed r/min(rpm)
6	1.5	1.12	60	230/460	1800

Ins	Rating	Dimension in	Approx Weight	Bearings
F	CONT.	inches	56 lbs.	DE: 6206ZZ NDE: 6205ZZ

Totally Enclosed Fan Cooled Type. Squirrel Cage Rotor.



DWN.	J. H. LIANG	12-13-07
CHKD.	H. C. YAN	02-12-08
APPD.	M. C. TSAI	02-12-08



DWG NO.
31049H738030