

**BALDOR® • RELIANCE** 

**Product Information Packet**

**JMXM18322T**

**3//2HP,3450//2890RPM,3PH,60//50HZ,182JM**

| Part Detail |    |             |              |             |        |               |            |
|-------------|----|-------------|--------------|-------------|--------|---------------|------------|
| Revision:   | A  | Status:     | PRD/A        | Change #:   |        | Proprietary:  | No         |
| Type:       | AC | Elec. Spec: | 36WGS041     | CD Diagram: | CD0005 | Mfg Plant:    |            |
| Mech. Spec: |    | Layout:     | 36LY-000-214 | Poles:      | 02     | Created Date: | 03-15-2021 |
| Base:       |    | Eff. Date:  | 03-30-2021   | Leads:      | 9#16   |               |            |

| Specs                           |                       |                                |                           |
|---------------------------------|-----------------------|--------------------------------|---------------------------|
| Catalog Number:                 | JMXM18322T            | Duty Rating:                   | CONT                      |
| Enclosure:                      | XPFC                  | Electrically Isolated Bearing: | Not Electrically Isolated |
| Frame:                          | 182JM                 | Feedback Device:               | NO FEEDBACK               |
| Frame Material:                 | Steel                 | Heater Indicator:              | No Heater                 |
| Output @ Frequency:             | 3.000 HP @ 60 HZ      | Insulation Class:              | F                         |
|                                 | 2.000 HP @ 50 HZ      | Inverter Code:                 | Inverter Duty             |
| Synchronous Speed @ Frequency:  | 3600 RPM @ 60 HZ      | IP Rating:                     | NONE                      |
| Voltage @ Frequency:            | 190.0 V @ 50 HZ       | KVA Code:                      | K                         |
|                                 | 460.0 V @ 60 HZ       | Lifting Lugs:                  | No Lifting Lugs           |
|                                 | 230.0 V @ 60 HZ       | Locked Bearing Indicator:      | Locked Bearing            |
|                                 | 380.0 V @ 50 HZ       | Motor Lead Termination:        | Flying Leads              |
| XP Class and Group:             | CLI GP D; CLII GP F,G | Motor Type:                    | 3622M                     |
| XP Division:                    | Division I            | Mounting Arrangement:          | F1                        |
| Agency Approvals:               | UR                    | Power Factor:                  | 91                        |
|                                 | CSA EEV               | Product Family:                | General Purpose           |
|                                 | CSA                   | Pulley Face Code:              | C-Face                    |
| Auxillary Box:                  | No Auxillary Box      | Rodent Screen:                 | None                      |
| Auxillary Box Lead Termination: | None                  | Shaft Ground Indicator:        | No Shaft Grounding        |

|                                     |                         |                                    |                            |
|-------------------------------------|-------------------------|------------------------------------|----------------------------|
| <b>Base Indicator:</b>              | Rigid                   | <b>Shaft Rotation:</b>             | Reversible                 |
| <b>Bearing Grease Type:</b>         | Polyrex EM (-20F +300F) | <b>Speed Code:</b>                 | Single Speed               |
| <b>Blower:</b>                      | None                    | <b>Motor Standards:</b>            | NEMA                       |
| <b>Constant Torque Speed Range:</b> | 6                       | <b>Starting Method:</b>            | Direct on line             |
| <b>Current @ Voltage:</b>           | 7.400 A @ 230.0 V       | <b>Thermal Device - Bearing:</b>   | None                       |
|                                     | 6.000 A @ 190.0 V       | <b>Thermal Device - Winding:</b>   | Normally Closed Thermostat |
|                                     | 3.700 A @ 460.0 V       | <b>Vibration Sensor Indicator:</b> | No Vibration Sensor        |
|                                     | 3.000 A @ 380.0 V       | <b>Winding Thermal 1:</b>          | None                       |
| <b>Design Code:</b>                 | B                       | <b>Winding Thermal 2:</b>          | None                       |
| <b>Drip Cover:</b>                  | No Drip Cover           | <b>XP Temp Code:</b>               | T3C                        |

| Nameplate NP0887XPSLEV |                  |  |        |              |       |            |          |      |          |    |
|------------------------|------------------|--|--------|--------------|-------|------------|----------|------|----------|----|
| NO.                    |                  |  |        |              |       | CC         | 010A     |      |          |    |
| S/N                    |                  |  |        |              |       | TEMP CODE  | T3C      |      |          |    |
| SPEC.                  | 36-0000-0482     |  |        |              |       | INV. TYPE  | PWM      |      |          |    |
| CAT.NO.                | JMXM18322T       |  |        |              |       | C HP FR    | 60       |      | C HP TO  | 90 |
| HP                     | 3//2             |  |        |              |       | CT HZ FROM | 6        |      | CT HZ TO | 60 |
| VOLTS                  | 230/460//190/380 |  |        |              |       | VT HZ FROM | 6        |      | VT HZ TO | 60 |
| AMPS                   | 7.4/3.7//6/3     |  |        |              |       | MAG CUR    | 2.4/1.2  |      |          |    |
| RPM                    | 3450//2890       |  |        |              |       | MX RPM     | 5400     |      |          |    |
| HZ                     | 60//50           |  | PH     | 3            | CL    | F          | NOM.EFF. | 86.5 |          |    |
| SER.F.                 | 1.00             |  | DES    | B            | SL HZ | 2.5        |          | WK2  | 0.1      |    |
| FRAME                  | 182JM            |  | RATING | 40C AMB-CONT |       |            |          |      |          |    |
| NEMA MG-1 PART 5, IP54 |                  |  |        |              |       |            |          |      |          |    |
| 1.15 SF ON SINE WAVE   |                  |  |        |              |       |            |          |      |          |    |
|                        |                  |  |        |              |       |            |          |      |          |    |

| Parts List    |  |          |
|---------------|--|----------|
| Part Number   | Description                              | Quantity |
| SA391995      | SA 36-0000-0482                          | 1.000 EA |
| RA382532      | RA 36-0000-0482                          | 1.000 EA |
| LB1119N       | WARNING LABEL                            | 1.000 EA |
| LC0145B01     | CONNECTION LABEL                         | 1.000 EA |
| NP0887XPSLEV  | SS XP INV UL CSA-EEV CC CL-I GP-D        | 1.000 EA |
| 85XU0407S04   | 4X1/4 U DRIVE PIN STAINLESS              | 2.000 EA |
| 85XU0407S04   | 4X1/4 U DRIVE PIN STAINLESS              | 4.000 EA |
| MN416A01      | TAG-INSTAL-MAINT no wire (2100/bx) 4/22  | 1.000 EA |
| NP0018F       | ALUM UL XP CONDUIT BOX NAMEPLATE         | 1.000 EA |
| 36FH4009A02   | FAN COVER FOR VM7042T,PRIMER             | 1.000 EA |
| 51XW1032A06   | 10-32 X .38, TAPTITE II, HEX WSHR SLTD S | 3.000 EA |
| 34FN3002A02   | EXTERNAL FAN, PLASTIC, .905/.907 HUB W/  | 1.000 EA |
| 51XB0818A12   | 8-18X3/4 HXWSSLD SERTYB                  | 1.000 EA |
| MJ1000A02     | GREASE, MOBIL POLYREX EM - 124047        | 0.050 LB |
| HA3105A02     | THRUBOLT 3/8-16 X 9.125 DEMBY            | 4.000 EA |
| 36EP1700A04   | FR ENDPLATE, MACH                        | 1.000 EA |
| HW5100A05     | WVY WSHR F/205 & 304 BRGS                | 1.000 EA |
| 36EP1709A01   | PU ENDPLATE, MACH                        | 1.000 EA |
| 84XN2520J28   | 1/4-20X 1 3/4 HEX SOCKET HEAD CAP        | 2.000 EA |
| HW4001A02     | 3/8 HX SOC PIPE PLUG W/.75" TAPER (F/S)  | 2.000 EA |
| HW1001A25     | LOCKWASHER 1/4, ZINC PLT .493 OD, .255 I | 2.000 EA |
| 60XN1032A07   | 10-32 X .4375 TRUSS HEAD, TORX SERRATED  | 2.000 EA |
| 35CB3001A02SP | EXPL PROOF CONDUIT BOX, 3/4"PIPE TAP LEA | 1.000 EA |
| 11XW1032G06   | 10-32 X .38, TAPTITE II, HEX WSHR SLTD U | 1.000 EA |

| <b>Parts List (continued)</b> |   |                 |
|-------------------------------|---|-----------------|
| <b>Part Number</b>            | <b>Description</b>                      | <b>Quantity</b> |
| HW3001B01                     | BRASS CUP WASHER, FOR #10 SCREW         | 1.000 EA        |
| 35CB3500A01SP                 | CONDUIT BOX LID, MACH                   | 1.000 EA        |
| 51XN2520A16                   | SCREW, HEX WS SLT, ZN, 1/4-20 X 1.00    | 4.000 EA        |
| MG1500Y02                     | WILKOPON PRIMER YELLOW                  | 0.022 GA        |
| MG1025G29                     | WILKOFASST, 789.229, DARK CHARCOAL GRAY | 0.022 GA        |
| G0PA1000                      | PKG GRP, PRINT PK1026A06                | 1.000 EA        |
| HW2501D13                     | KEY, 3/16 SQ X 1.375                    | 1.000 EA        |
| HA7000A01                     | KEY RETAINER 7/8" DIA SHAFT             | 1.000 EA        |

**AC Induction Motor Performance Data**

Record # 73670

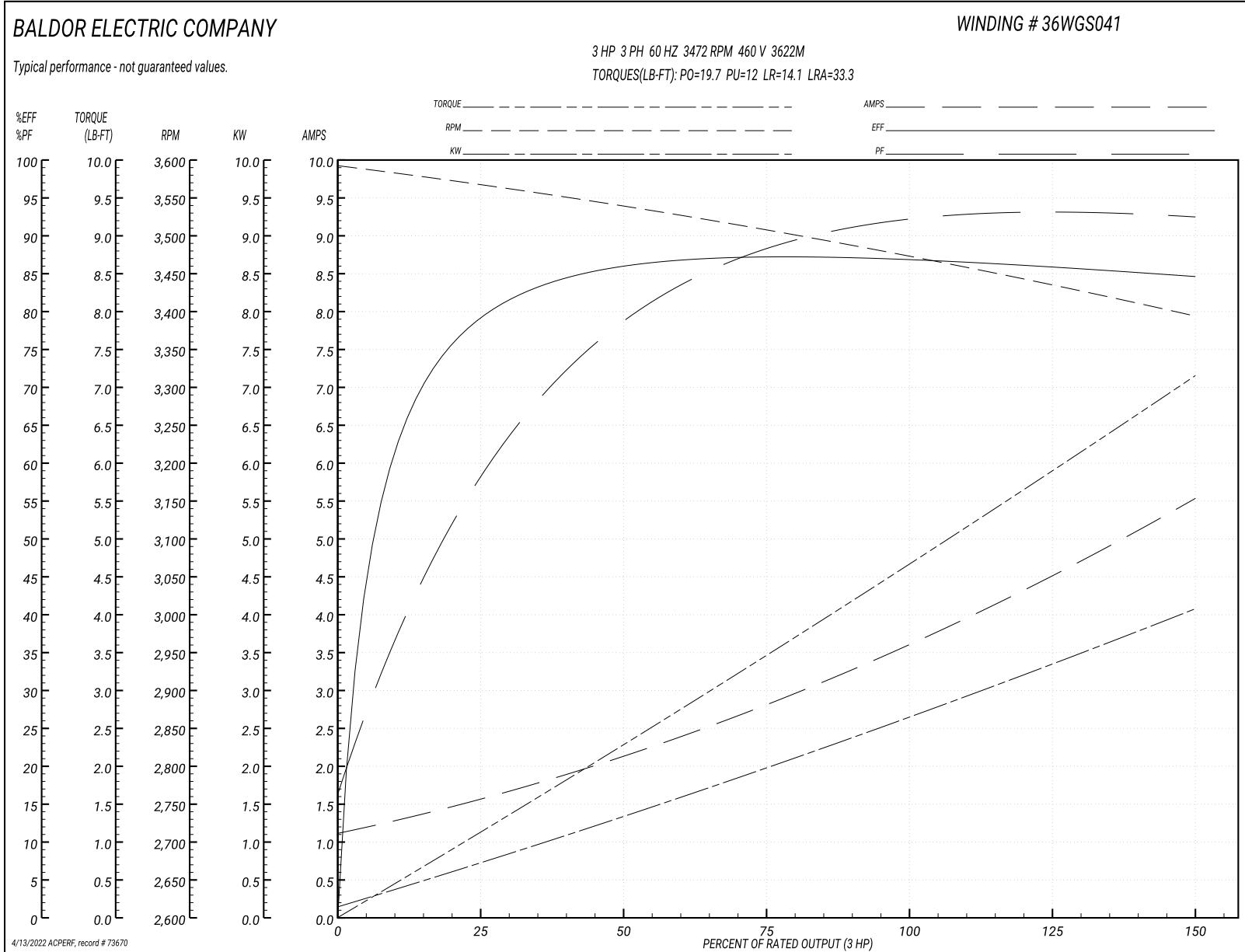
Typical performance - not guaranteed values

| <b>Winding:</b> 36WGS041-R041 |                  | <b>Type:</b> 3622M  |  | <b>Enclosure:</b> XPFC       |            |
|-------------------------------|------------------|---------------------|--|------------------------------|------------|
| <b>Nameplate Data</b>         |                  |                     | <b>460 V, 60 Hz:<br/>High Voltage Connection</b> |                              |            |
| <b>Rated Output (HP)</b>      | 3//2             |                     | <b>Full Load Torque</b>                          | 4.7 LB-FT                    |            |
| <b>Volts</b>                  | 230/460//190/380 |                     | <b>Start Configuration</b>                       | direct on line               |            |
| <b>Full Load Amps</b>         | 7.4/3.7//6/3     |                     | <b>Breakdown Torque</b>                          | 19.7 LB-FT                   |            |
| <b>R.P.M.</b>                 | 3450//2890       |                     | <b>Pull-up Torque</b>                            | 12 LB-FT                     |            |
| <b>Hz</b>                     | 60//50           | <b>Phase</b>        | 3  | <b>Locked-rotor Torque</b>   | 14.1 LB-FT |
| <b>NEMA Design Code</b>       | A                | <b>KVA Code</b>     | K  | <b>Starting Current</b>      | 33.3 A     |
| <b>Service Factor (S.F.)</b>  | 1                |                     | <b>No-load Current</b>                           | 1.17 A                       |            |
| <b>NEMA Nom. Eff.</b>         | 86.5             | <b>Power Factor</b> | 91   | <b>Line-line Res. @ 25°C</b> | 4.71 Ω     |
| <b>Rating - Duty</b>          | 40C AMB-CONT     |                     | <b>Temp. Rise @ Rated Load</b>                   | 52°C                         |            |
|                               |                  |                     | <b>Locked-rotor Power Factor</b>                 | 48.4                         |            |
|                               |                  |                     | <b>Rotor inertia</b>                             | 0.0984 LB-FT <sup>2</sup>    |            |

**Load Characteristics 460 V, 60 Hz, 3 HP**

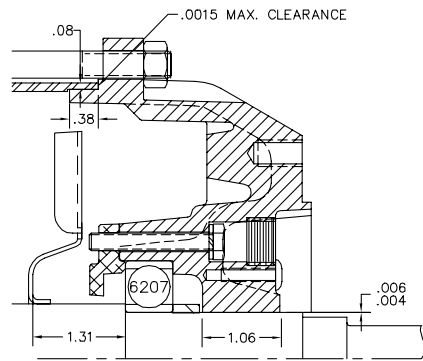
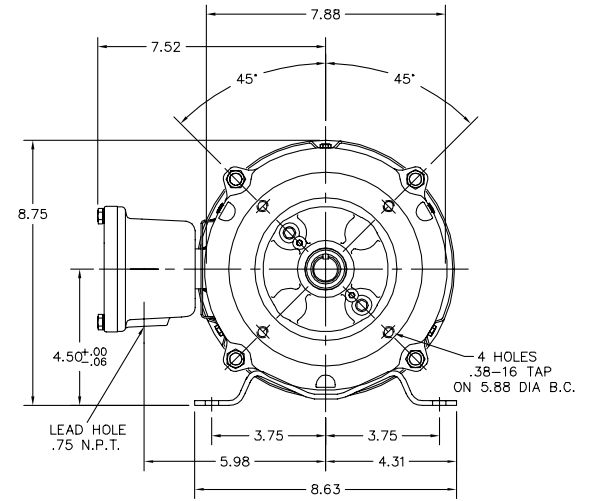
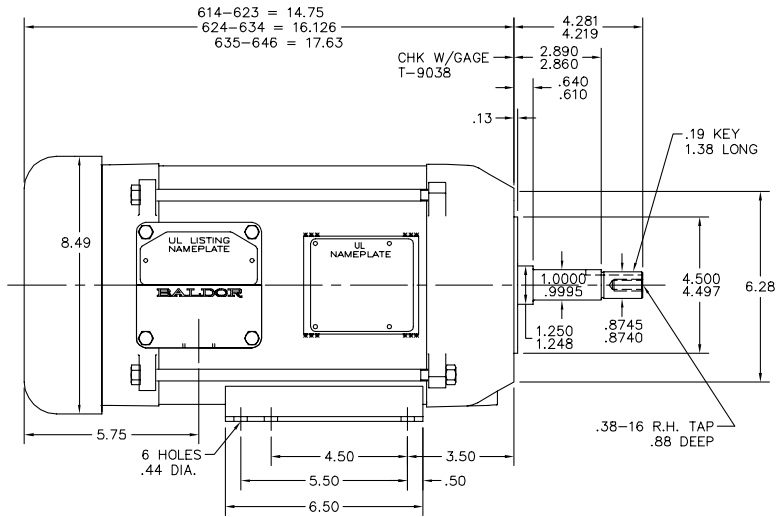
| <b>% of Rated Load</b> | <b>25</b> | <b>50</b> | <b>75</b> | <b>100</b> | <b>125</b> | <b>150</b> |
|------------------------|-----------|-----------|-----------|------------|------------|------------|
| <b>Power Factor</b>    | 66        | 82        | 88        | 91         | 92         | 93         |
| <b>Efficiency</b>      | 80.3      | 86        | 87.3      | 86.9       | 86         | 84.5       |
| <b>Speed</b>           | 3565      | 3535      | 3504      | 3472       | 3434       | 3394       |
| <b>Line amperes</b>    | 1.56      | 2.17      | 2.93      | 3.67       | 4.57       | 5.5        |

Performance Graph at 460V, 60Hz, 3.0HP Typical performance - Not guaranteed values





36LY-000-214



PULLEY END DETAIL

CUSTOMER IS RESPONSIBLE FOR DETERMINING THAT BALDOR'S PRODUCT WILL PERFORM SUITABLY IN THE INTENDED APPLICATION.

|                      |                              |                   |
|----------------------|------------------------------|-------------------|
| REV. DESC: NEW       | VERSION: 00                  | TDR: 000001127643 |
| REV. LTR: -          | REVISED: 09:57:23 03/15/2021 | BY: USEROLI       |
| FILE: \AAA\00258\056 |                              |                   |
| MTL: -               |                              |                   |

**BALDOR - RELIANCE**®  
 HOR 182-4JM XPFC M, CL-I GP-D, CL-II GP-F&G  
 SH 1 of 1

36LY-000-214

CD0005



LOW VOLTAGE  
(2Y)



LINE

HIGH VOLTAGE  
(1Y)



LINE

NOTES:

1. INTERCHANGE ANY TWO LINE LEADS TO REVERSE ROTATION.
2. OPTIONAL THERMOSTATS ARE PROVIDED WHEN SPECIFIED.
3. ACTUAL NUMBER OF INTERNAL PARALLEL CIRCUITS MAY BE A MULTIPLE OF THOSE SHOWN ABOVE.
4. LEAD COLORS ARE OPTIONAL. LEADS MUST ALWAYS BE NUMBERED AS SHOWN.

|   |         |                         |              |
|---|---------|-------------------------|--------------|
| REV. DESC: REVISE TO SHOW OPTIONAL COLORS |         |                         |              |
| REV. LTR: E                               | BY: JLP | REVISED: 01/19/99 10:15 | TDR: 0171435 |
| 90000                                     |         | FILE: AAA00005140       | MDL: -       |
|   |         | MTL: -                  |              |

**BALDOR ELECTRIC Co.**

3PH, DV, 9 LEADS

CD0005

Marketing maintained PDF of MN416:

<http://www.baldor.com/support/Literature/Load.ashx/MN416?ManNumber=MN416>