

**BALDOR® • RELIANCE** 

**Product Information Packet**

**JMXM21122T**

**10//7.5HP,3500//2900RPM,3PH,60//50HZ,213**

Part Detail							
Revision:	-	Status:	PRD/A	Change #:		Proprietary:	No
Type:	AC	Elec. Spec:	37WGR480	CD Diagram:	CD0005	Mfg Plant:	
Mech. Spec:	37T528	Layout:	37LYT528	Poles:	02	Created Date:	03-08-2021
Base:	RG	Eff. Date:	03-08-2021	Leads:	9#14		

Specs			
Catalog Number:	JMXM21122T	Front Shaft Indicator:	None
Enclosure:	XPFC	Heater Indicator:	No Heater
Frame:	215JM	Insulation Class:	F
Frame Material:	Steel	Inverter Code:	Inverter Duty
Output @ Frequency:	7.500 HP @ 50 HZ	IP Rating:	NONE
	10.000 HP @ 60 HZ	KVA Code:	M
Synchronous Speed @ Frequency:	3600 RPM @ 60 HZ	Lifting Lugs:	Standard Lifting Lugs
Voltage @ Frequency:	230.0 V @ 60 HZ	Locked Bearing Indicator:	Locked Bearing
	190.0 V @ 50 HZ	Motor Lead Quantity/Wire Size:	9 @ 14 AWG
	460.0 V @ 60 HZ	Motor Lead Termination:	Flying Leads
	380.0 V @ 50 HZ	Motor Type:	X3756M
XP Class and Group:	CLI GP D; CLII GP F,G	Mounting Arrangement:	F1
XP Division:	Division I	Power Factor:	86
Agency Approvals:	UR	Product Family:	General Purpose
	CSA EEV	Pulley End Bearing Type:	Ball
	CSA	Pulley Face Code:	C-Face
Auxillary Box:	No Auxillary Box	Pulley Shaft Indicator:	Tapped & Key
Auxillary Box Lead Termination:	None	Rodent Screen:	None

<b>Base Indicator:</b>	Rigid	<b>RoHS Status:</b>	ROHS NON-COMPLIANT
<b>Bearing Grease Type:</b>	Polyrex EM (-20F +300F)	<b>Shaft Ground Indicator:</b>	No Shaft Grounding
<b>Blower:</b>	None	<b>Shaft Rotation:</b>	Reversible
<b>Constant Torque Speed Range:</b>	6	<b>Shaft Slinger Indicator:</b>	No Slinger
<b>Current @ Voltage:</b>	24.000 A @ 230.0 V	<b>Speed Code:</b>	Single Speed
	22.800 A @ 190.0 V	<b>Motor Standards:</b>	NEMA
	12.000 A @ 460.0 V	<b>Starting Method:</b>	Direct on line
	11.400 A @ 380.0 V	<b>Thermal Device - Bearing:</b>	None
<b>Design Code:</b>	A	<b>Thermal Device - Winding:</b>	Normally Closed Thermostat
<b>Drip Cover:</b>	No Drip Cover	<b>Vibration Sensor Indicator:</b>	No Vibration Sensor
<b>Duty Rating:</b>	CONT	<b>Winding Thermal 1:</b>	None
<b>Electrically Isolated Bearing:</b>	Not Electrically Isolated	<b>Winding Thermal 2:</b>	None
<b>Feedback Device:</b>	NO FEEDBACK	<b>XP Temp Code:</b>	T2D

Nameplate NP0887XPSLEV										
NO.						CC	010A			
S/N						TEMP CODE	T2D			
SPEC.	37T528R480G1					INV.TYPE	PWM			
CAT.NO.	JMXM21122T					C HP FR	60		C HP TO	90
HP	10//7.5					CT HZ FROM	6		CT HZ TO	60
VOLTS	230/460//190/380					VT HZ FROM	6		VT HZ TO	60
AMPS	24/12//22.8/11.4					MAG CUR	9/4.5			
RPM	3500//2900					MX RPM	5400			
HZ	60//50		PH	3		CL	F			
SER.F.	1.00		DES	A		SL HZ	1.7		NOM.EFF.	90.2
FRAME	213JM		RATING	40C AMB-CONT		WK2	0.51			
	55C AMB @ 1.0 SF									
	1.15 SF SINEWAVE					NEMA MG-1 PT 5,IP54				

Parts List		
Part Number	Description	Quantity
SA391512	SA 37T528R480G1	1.000 EA
RA382009	RA 37T528R480G1	1.000 EA
37FN3002B01	EXFN, PLASTIC, 7.50 OD, 1.155 ID	1.000 EA
35CB3001A02SP	EXPL PROOF CONDUIT BOX, 3/4"PIPE TAP LEA	1.000 EA
11XW1032G06	10-32 X .38, TAPTITE II, HEX WSHR SLTD U	1.000 EA
HW3001B01	BRASS CUP WASHER, FOR #10 SCREW	1.000 EA
37EP1102A01	STD FR EP, XPFC	1.000 EA
HW4500A19	1/4-28X1/4 SLOTTED PLUG F/S	2.000 EA
HW5100A06	W2420-025 WVY WSHR (WB)	1.000 EA
37EP1700A01	PU EP, XPFC, 213-5TC	1.000 EA
84XN2520J26	1/4 20X1 5/8 SOC HD CP SRBLK OX	2.000 EA
HW1001A25	LOCKWASHER 1/4, ZINC PLT .493 OD, .255 I	2.000 EA
HW4001A02	3/8 HX SOC PIPE PLUG W/.75" TAPER (F/S)	2.000 EA
60XN1032A07	10-32 X .4375 TRUSS HEAD, TORX SERRATED	2.000 EA
37FH3001	FAN COVER, DIE CAST	1.000 EA
10XN2520A12	1/4-20 X 3/4 HEX HEAD CAP	4.000 EA
HW1001A25	LOCKWASHER 1/4, ZINC PLT .493 OD, .255 I	4.000 EA
35CB3500A01SP	CONDUIT BOX LID, MACH	1.000 EA
51XN2520A16	SCREW, HEX WS SLT, ZN, 1/4-20 X 1.00	4.000 EA
HW2501D13	KEY, 3/16 SQ X 1.375	1.000 EA
HA7000A01	KEY RETAINER 7/8" DIA SHAFT	1.000 EA
85XU0407S04	4X1/4 U DRIVE PIN STAINLESS	6.000 EA
NP0018F	ALUM UL XP CONDUIT BOX NAMEPLATE	1.000 EA
LB1115N	LABEL,LIFTING DEVICE (ON ROLLS)	1.000 EA

<b>Parts List (continued)</b>		
<b>Part Number</b>	<b>Description</b>	<b>Quantity</b>
MJ1000A02	GREASE, MOBIL POLYREX EM - 124047	0.050 LB
51XB1214A20	12-14X1.25 HXWSSLD SERTYB	1.000 EA
MG1500Y02	WILKOPON PRIMER YELLOW	0.028 GA
MG1025G29	WILKOFASST, 789.229, DARK CHARCOAL GRAY	0.028 GA
HA3106A12	THRUBOLT 1/2-13 X 14.625	4.000 EA
LB1119N	WARNING LABEL	1.000 EA
LC0145B01	CONNECTION LABEL	1.000 EA
MN416A01	TAG-INSTAL-MAINT no wire (2100/bx) 4/22	1.000 EA
NP0887XPSLEV	SS XP INV UL CSA-EEV CC CL-I GP-D	1.000 EA
37PA1074	PALLET PACK GRP, PRINT BOX PK1026A06	1.000 EA

**AC Induction Motor Performance Data**

Record # 85492

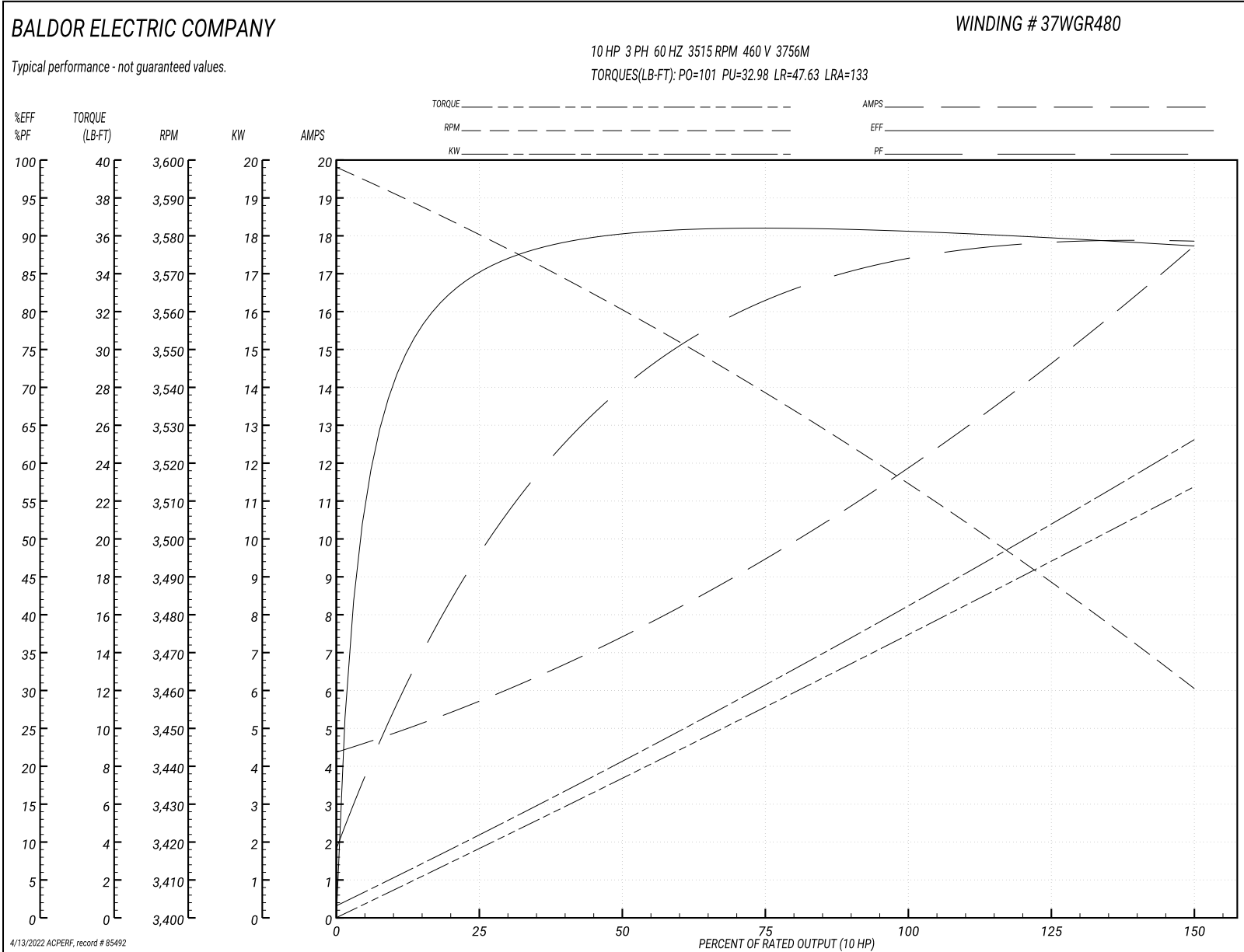
Typical performance - not guaranteed values

<b>Winding:</b> 37WGR480-R002		<b>Type:</b> 3756M		<b>Enclosure:</b> XPFC	
<b>Nameplate Data</b>			<b>460 V, 60 Hz: High Voltage Connection</b>		
<b>Rated Output (HP)</b>	10//7.5		<b>Full Load Torque</b>	15.01 LB-FT	
<b>Volts</b>	230/460//190/380		<b>Start Configuration</b>	direct on line	
<b>Full Load Amps</b>	24/12//22.8/11.4		<b>Breakdown Torque</b>	101 LB-FT	
<b>R.P.M.</b>	3500//2900		<b>Pull-up Torque</b>	32.98 LB-FT	
<b>Hz</b>	60//50	<b>Phase</b>	3	<b>Locked-rotor Torque</b>	47.63 LB-FT
<b>NEMA Design Code</b>	A	<b>KVA Code</b>	M	<b>Starting Current</b>	133 A
<b>Service Factor (S.F.)</b>	1		<b>No-load Current</b>	4.51 A	
<b>NEMA Nom. Eff.</b>	90.2	<b>Power Factor</b>	86	<b>Line-line Res. @ 25°C</b>	0.455 Ω
<b>Rating - Duty</b>	40C AMB-CONT		<b>Temp. Rise @ Rated Load</b>	47°C	
			<b>Locked-rotor Power Factor</b>	29.4	
			<b>Rotor inertia</b>	0.51 lb-ft <sup>2</sup>	

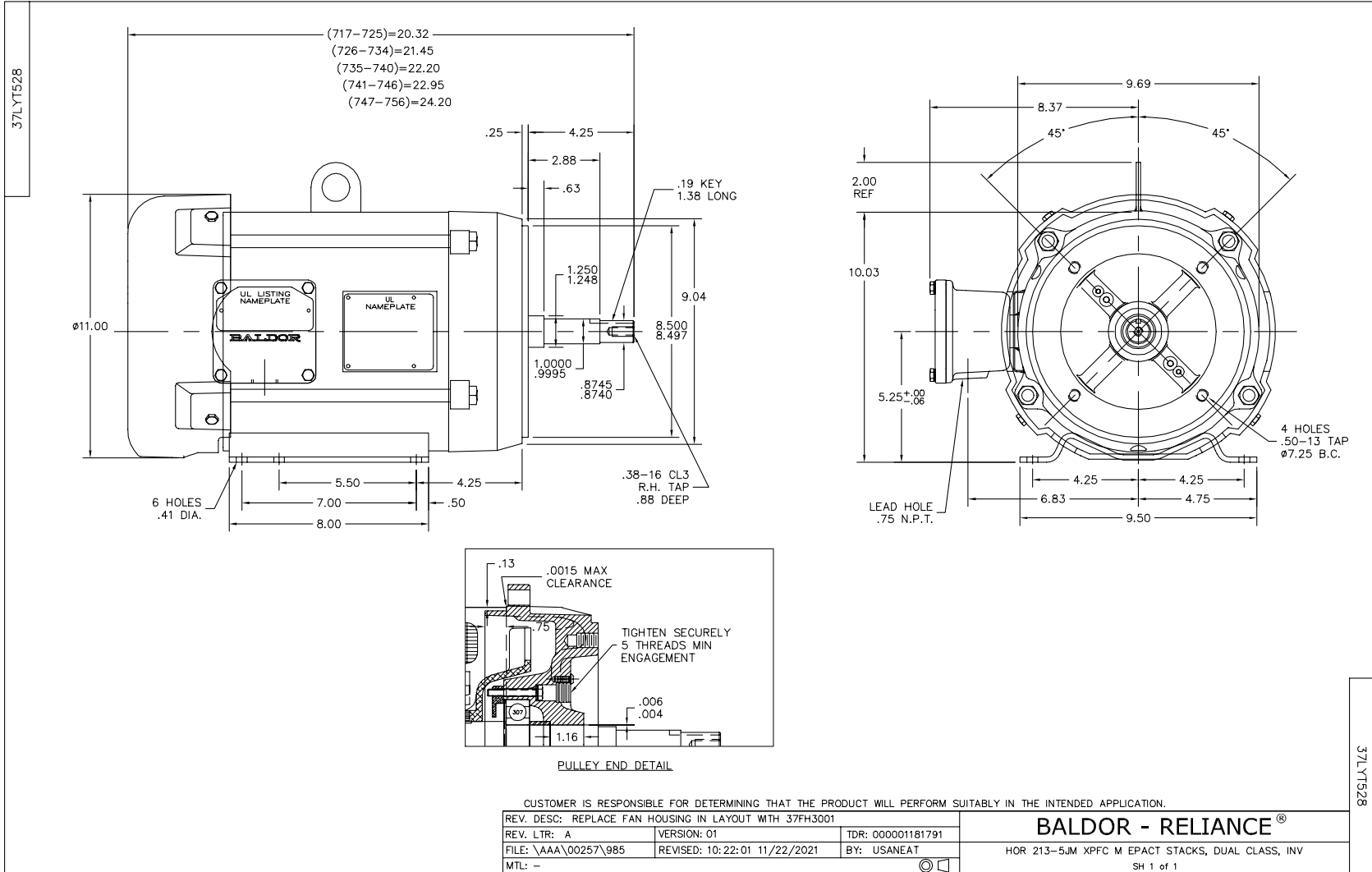
**Load Characteristics 460 V, 60 Hz, 10 HP**

<b>% of Rated Load</b>	<b>25</b>	<b>50</b>	<b>75</b>	<b>100</b>	<b>125</b>	<b>150</b>
<b>Power Factor</b>	51	71	81	86	89	90
<b>Efficiency</b>	84	89.7	91.2	90.6	89.9	88.4
<b>Speed</b>	3579	3559	3538	3515	3488	3460
<b>Line amperes</b>	5.52	7.42	9.67	12.07	14.62	17.73

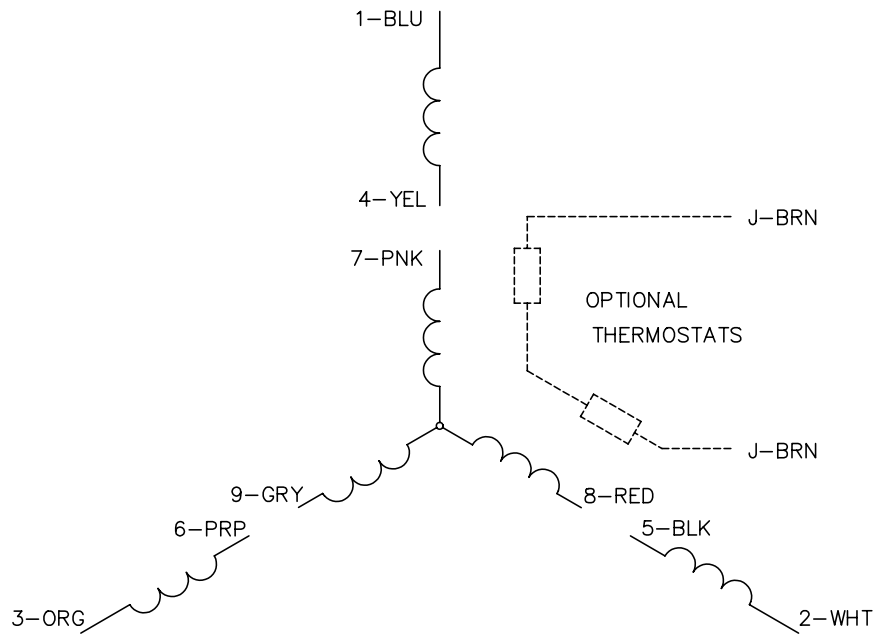
Performance Graph at 460V, 60Hz, 10.0HP Typical performance - Not guaranteed values



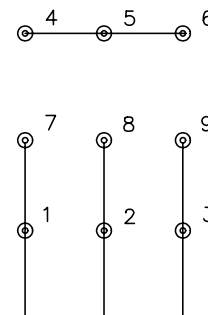




CD0005

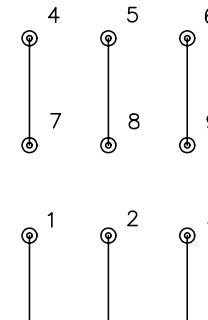


LOW VOLTAGE  
(2Y)



LINE

HIGH VOLTAGE  
(1Y)



LINE

NOTES:

1. INTERCHANGE ANY TWO LINE LEADS TO REVERSE ROTATION.
2. OPTIONAL THERMOSTATS ARE PROVIDED WHEN SPECIFIED.
3. ACTUAL NUMBER OF INTERNAL PARALLEL CIRCUITS MAY BE A MULTIPLE OF THOSE SHOWN ABOVE.
4. LEAD COLORS ARE OPTIONAL. LEADS MUST ALWAYS BE NUMBERED AS SHOWN.

REV. DESC: REVISE TO SHOW OPTIONAL COLORS			
REV. LTR: E	BY: JLP	REVISED: 01/19/99 10:15	TDR: 0171435
90000		FILE: AAA00005140	MDL: -
		MTL: -	

**BALDOR ELECTRIC Co.**

3PH, DV, 9 LEADS

CD0005

Marketing maintained PDF of MN416:

<http://www.baldor.com/support/Literature/Load.ashx/MN416?ManNumber=MN416>