

BALDOR® • RELIANCE 

Product Information Packet

JMXM21722T

7.5//5HP,3520//2935RPM,3PH,60//50HZ,213J

Part Detail							
Revision:	B	Status:	PRD/A	Change #:		Proprietary:	No
Type:	AC	Elec. Spec:	37WGL869	CD Diagram:	CD0005	Mfg Plant:	
Mech. Spec:		Layout:	37LYT528	Poles:	02	Created Date:	03-16-2021
Base:		Eff. Date:	12-09-2021	Leads:	9#14		

Specs			
Catalog Number:	JMXM21722T	Duty Rating:	CONT
Enclosure:	XPFC	Electrically Isolated Bearing:	Not Electrically Isolated
Frame:	213JM	Feedback Device:	NO FEEDBACK
Frame Material:	Steel	Heater Indicator:	No Heater
Output @ Frequency:	7.500 HP @ 60 HZ	Insulation Class:	F
	5.000 HP @ 50 HZ	Inverter Code:	Inverter Duty
Synchronous Speed @ Frequency:	3600 RPM @ 60 HZ	IP Rating:	NONE
Voltage @ Frequency:	190.0 V @ 50 HZ	KVA Code:	J
	230.0 V @ 60 HZ	Lifting Lugs:	Standard Lifting Lugs
	380.0 V @ 50 HZ	Locked Bearing Indicator:	Locked Bearing
	460.0 V @ 60 HZ	Motor Lead Termination:	Flying Leads
XP Class and Group:	CLI GP D; CLII GP F,G	Motor Type:	3728M
XP Division:	Division I	Mounting Arrangement:	F1
Agency Approvals:	UR	Power Factor:	84
	CSA EEV	Product Family:	General Purpose
	CSA	Pulley End Bearing Type:	Ball
Auxillary Box:	No Auxillary Box	Pulley Face Code:	C-Face
Auxillary Box Lead Termination:	None	Rodent Screen:	None

Base Indicator:	Rigid	Shaft Ground Indicator:	No Shaft Grounding
Bearing Grease Type:	Polyrex EM (-20F +300F)	Shaft Rotation:	Reversible
Blower:	None	Speed Code:	Single Speed
Constant Torque Speed Range:	6	Motor Standards:	NEMA
Current @ Voltage:	9.000 A @ 460.0 V	Starting Method:	Direct on line
	7.800 A @ 380.0 V	Thermal Device - Bearing:	None
	19.000 A @ 208.0 V	Thermal Device - Winding:	Normally Closed Thermostat
	18.000 A @ 230.0 V	Vibration Sensor Indicator:	No Vibration Sensor
	15.600 A @ 190.0 V	Winding Thermal 1:	None
Design Code:	A	Winding Thermal 2:	None
Drip Cover:	No Drip Cover	XP Temp Code:	T3C

Nameplate NP0887XPSLEV										
NO.						CC	010A			
S/N						TEMP CODE	T3C			
SPEC.	37-0000-0331					INV.TYPE	PWM			
CAT.NO.	JMXM21722T					C HP FR	60		C HP TO	90
HP	7.5//5					CT HZ FROM	6		CT HZ TO	60
VOLTS	230/460//190/380					VT HZ FROM	6		VT HZ TO	60
AMPS	18/9//15.6/7.8					MAG CUR	7.4/3.7			
RPM	3520//2935					MX RPM	5400			
HZ	60//50	PH	3	CL	F	NOM.EFF.	89.5			
SER.F.	1.00		DES	A	SL HZ	1.7		WK2	0.255	
FRAME	213JM		RATING	40C AMB-CONT						
NEMA MG-1 PART 5, IP54										
1.15 SF ON SINE WAVE										

Parts List		
Part Number	Description	Quantity
SA393532	SA 37-0000-0331	1.000 EA
RA384183	RA 37-0000-0331	1.000 EA
LB1115N	LABEL,LIFTING DEVICE (ON ROLLS)	1.000 EA
LB1119N	WARNING LABEL	1.000 EA
LC0145B01	CONNECTION LABEL	1.000 EA
NP0887XPSLEV	SS XP INV UL CSA-EEV CC CL-I GP-D	1.000 EA
85XU0407S04	4X1/4 U DRIVE PIN STAINLESS	2.000 EA
85XU0407S04	4X1/4 U DRIVE PIN STAINLESS	4.000 EA
MN416A01	TAG-INSTAL-MAINT no wire (2100/bx) 4/22	1.000 EA
NP0018F	ALUM UL XP CONDUIT BOX NAMEPLATE	1.000 EA
37FH3001	FAN COVER, DIE CAST	1.000 EA
10XN2520A12	1/4-20 X 3/4 HEX HEAD CAP	4.000 EA
HW1001A25	LOCKWASHER 1/4, ZINC PLT .493 OD, .255 I	4.000 EA
36FN3000C02SP	EXFN, PLASTIC, 5.25 OD, 1.175 ID	1.000 EA
51XB1214A16	12-14X1.00 HXWSSLD SERTYB	1.000 EA
MJ1000A02	GREASE, MOBIL POLYREX EM - 124047	0.050 LB
HA3106A03	THRUBOLT- 1/2-13 X 11.875 X	4.000 EA
37EP1102A01	STD FR EP, XPFC	1.000 EA
HW5100A06	W2420-025 WVY WSHR (WB)	1.000 EA
HW4500A19	1/4-28X1/4 SLOTTED PLUG F/S	2.000 EA
37EP1700A01	PU EP, XPFC, 213-5TC	1.000 EA
84XN2520J26	1/4 20X1 5/8 SOC HD CP SRBLK OX	2.000 EA
HW4001A02	3/8 HX SOC PIPE PLUG W/.75" TAPER (F/S)	2.000 EA
60XN1032A07	10-32 X .4375 TRUSS HEAD, TORX SERRATED	2.000 EA

Parts List (continued)		
Part Number	Description	Quantity
HW1001A25	LOCKWASHER 1/4, ZINC PLT .493 OD, .255 I	2.000 EA
35CB3001A02SP	EXPL PROOF CONDUIT BOX, 3/4"PIPE TAP LEA	1.000 EA
11XW1032G06	10-32 X .38, TAPTITE II, HEX WSHR SLTD U	1.000 EA
HW3001B01	BRASS CUP WASHER, FOR #10 SCREW	1.000 EA
35CB3500A01SP	CONDUIT BOX LID, MACH	1.000 EA
51XN2520A16	SCREW, HEX WS SLT, ZN, 1/4-20 X 1.00	4.000 EA
MG1500Y02	WILKOPON PRIMER YELLOW	0.022 GA
MG1025G29	WILKOFASST, 789.229, DARK CHARCOAL GRAY	0.022 GA
G0PA1000	PKG GRP, PRINT PK1026A06	1.000 EA
HW2501D13	KEY, 3/16 SQ X 1.375	1.000 EA
HA7000A01	KEY RETAINER 7/8" DIA SHAFT	1.000 EA

AC Induction Motor Performance Data

Record # 86826

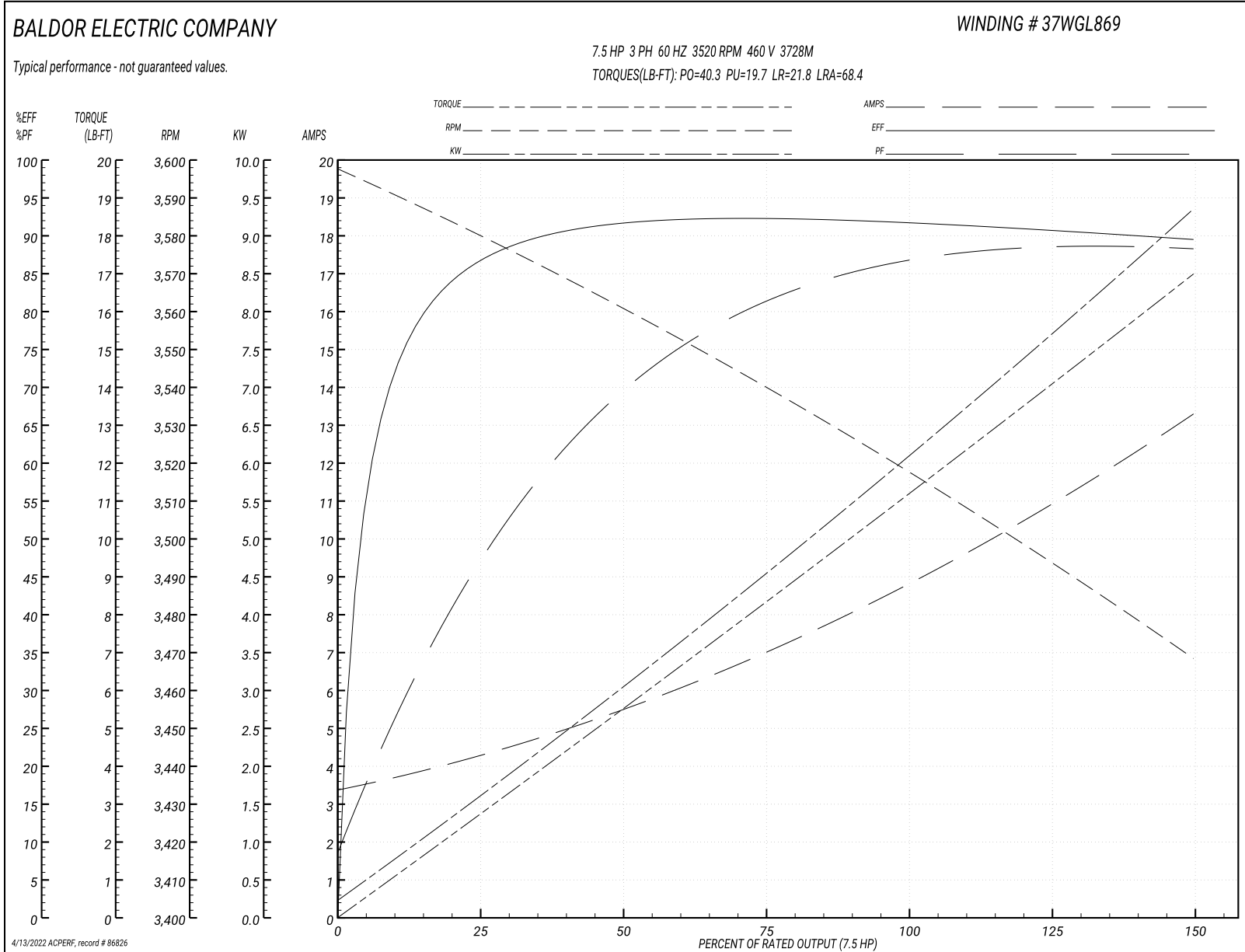
Preliminary Data Sheet

Winding: 37WGL869-R008		Type: 3728M		Enclosure: XPFC	
Nameplate Data			460 V, 60 Hz: High Voltage Connection		
Rated Output (HP)	7.5	Full Load Torque	11.2 LB-FT		
Volts	230/460	Start Configuration	direct on line		
Full Load Amps	18/9	Breakdown Torque	40.3 LB-FT		
R.P.M.	3520	Pull-up Torque	19.7 LB-FT		
Hz	60 Phase	3	Locked-rotor Torque	21.8 LB-FT	
NEMA Design Code	A	KVA Code	J	Starting Current	68.4 A
Service Factor (S.F.)	1		No-load Current	3.52 A	
NEMA Nom. Eff.	89.5	Power Factor	84	Line-line Res. @ 25°C	1.19 Ω
Rating - Duty	40C AMB-CONT		Temp. Rise @ Rated Load	50°C	
			Locked-rotor Power Factor	38.1	
			Rotor inertia	0.255 lb-ft ²	

Load Characteristics 460 V, 60 Hz, 7.5 HP

% of Rated Load	25	50	75	100	125	150
Power Factor	49	71	81	86	88	89
Efficiency	83.9	89.7	91	90.9	90.2	89.2
Speed	3580	3560	3540	3518	3494	3468
Line amperes	4.1	5.4	7.06	8.96	11	13.2

Performance Graph at 460V, 60Hz, 7.5HP Typical performance - Not guaranteed values



AC Induction Motor Performance Data

Record # 86827

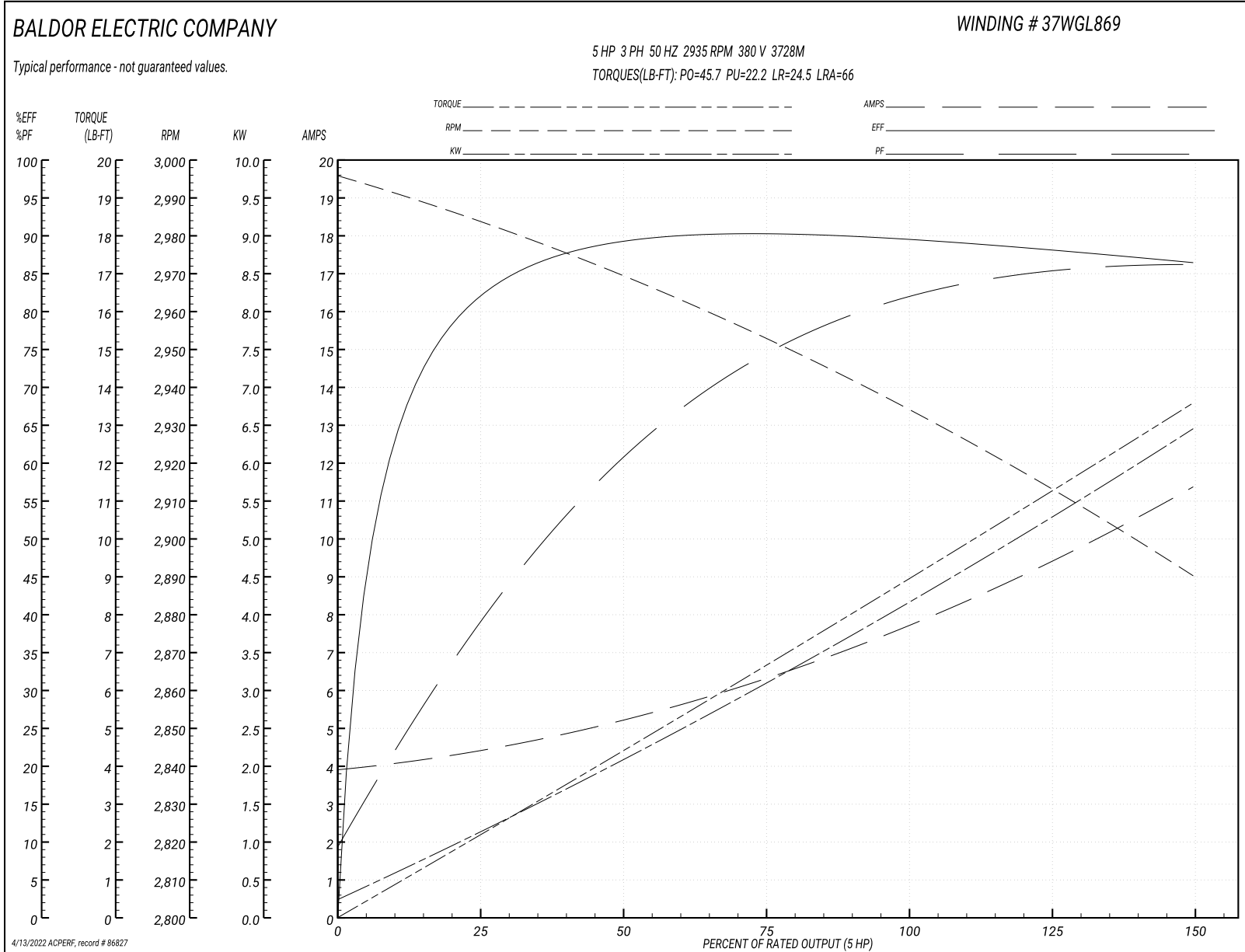
Preliminary Data Sheet

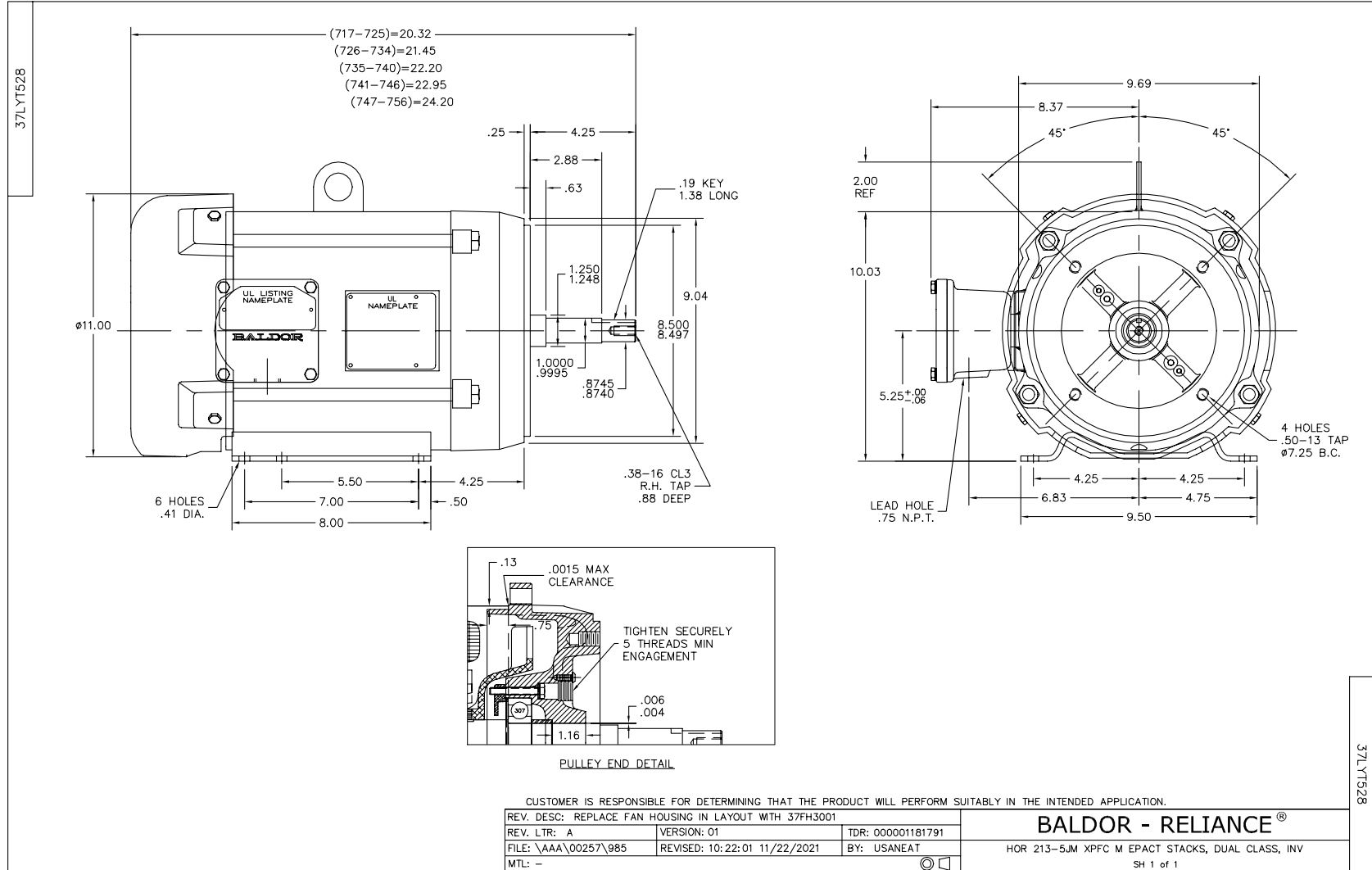
Winding: 37WGL869-R003		Type: 3728M		Enclosure: XPFC	
Nameplate Data			380 V, 50 Hz: High Voltage Connection		
Rated Output (HP)	5	Full Load Torque	8.95 LB-FT		
Volts	190/380	Start Configuration	direct on line		
Full Load Amps	15.6/7.8	Breakdown Torque	45.7 LB-FT		
R.P.M.	2935	Pull-up Torque	22.2 LB-FT		
Hz	50 Phase	3	Locked-rotor Torque	24.5 LB-FT	
NEMA Design Code	A KVA Code	K	Starting Current	66 A	
Service Factor (S.F.)		1	No-load Current	3.97 A	
NEMA Nom. Eff.	89.5 Power Factor	81	Line-line Res. @ 25°C	1.19 Ω	
Rating - Duty	40C AMB-CONT		Temp. Rise @ Rated Load	36°C	
			Locked-rotor Power Factor	43.8	
			Rotor inertia	0.255 lb-ft ²	

Load Characteristics 380 V, 50 Hz, 5 HP

% of Rated Load	25	50	75	100	125	150
Power Factor	41	63	74	80	85	87
Efficiency	81.1	88	89.8	90.1	89.8	88.8
Speed	2984	2969	2952	2934	2915	2889
Line amperes	4.32	5.18	6.39	7.81	9.34	11.4

Performance Graph at 380V, 50Hz, 5.0HP Typical performance - Not guaranteed values





CD0005

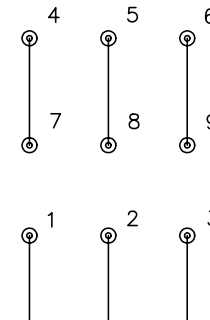


LOW VOLTAGE
(2Y)



LINE

HIGH VOLTAGE
(1Y)



LINE

NOTES:

1. INTERCHANGE ANY TWO LINE LEADS TO REVERSE ROTATION.
2. OPTIONAL THERMOSTATS ARE PROVIDED WHEN SPECIFIED.
3. ACTUAL NUMBER OF INTERNAL PARALLEL CIRCUITS MAY BE A MULTIPLE OF THOSE SHOWN ABOVE.
4. LEAD COLORS ARE OPTIONAL. LEADS MUST ALWAYS BE NUMBERED AS SHOWN.

REV. DESC: REVISE TO SHOW OPTIONAL COLORS			
REV. LTR: E	BY: JLP	REVISED: 01/19/99 10:15	TDR: 0171435
900000		FILE: AAA00005140	MDL: -
		MTL: -	

BALDOR ELECTRIC Co.

3PH, DV, 9 LEADS

CD0005

Marketing maintained PDF of MN416:

<http://www.baldor.com/support/Literature/Load.ashx/MN416?ManNumber=MN416>