

**BALDOR® • RELIANCE** 

**Product Information Packet**

**JPDRX18344T-5**

**3HP, 1755RPM, 3PH, 60HZ, 182JP, XPFC, F1**

| Part Detail |    |             |            |             |        |               |            |
|-------------|----|-------------|------------|-------------|--------|---------------|------------|
| Revision:   | -  | Status:     | PRD/A      | Change #:   |        | Proprietary:  | No         |
| Type:       | AC | Elec. Spec: | 06WGX319   | CD Diagram: | CD0006 | Mfg Plant:    |            |
| Mech. Spec: |    | Layout:     | 06LYH458   | Poles:      | 04     | Created Date: | 08-02-2019 |
| Base:       |    | Eff. Date:  | 08-08-2019 | Leads:      | 3#16   |               |            |

| Specs                           |                         |                           |                       |
|---------------------------------|-------------------------|---------------------------|-----------------------|
| Catalog Number:                 | JPDRX18344T-5           | Insulation Class:         | F                     |
| Enclosure:                      | XPFC                    | Inverter Code:            | Inverter Duty         |
| Frame:                          | 182JP                   | IP Rating:                | NONE                  |
| Frame Material:                 | Iron                    | KVA Code:                 | J                     |
| Output @ Frequency:             | 3.000 HP @ 60 HZ        | Lifting Lugs:             | Standard Lifting Lugs |
| Synchronous Speed @ Frequency:  | 1800 RPM @ 60 HZ        | Locked Bearing Indicator: | Locked Bearing        |
| Voltage @ Frequency:            | 575.0 V @ 60 HZ         | Motor Lead Termination:   | Flying Leads          |
| XP Class and Group:             | CLI GP C,D              | Motor Type:               | 0632M                 |
| XP Division:                    | Division I              | Mounting Arrangement:     | F1                    |
| Agency Approvals:               | CSA                     | Power Factor:             | 77                    |
|                                 | CSA EEV                 | Product Family:           | General Purpose       |
|                                 | UR                      | Pulley Face Code:         | C-Face                |
| Auxillary Box:                  | No Auxillary Box        | Rodent Screen:            | None                  |
| Auxillary Box Lead Termination: | None                    | RoHS Status:              | ROHS NON-COMPLIANT    |
| Base Indicator:                 | Rigid                   | Shaft Ground Indicator:   | No Shaft Grounding    |
| Bearing Grease Type:            | Polyrex EM (-20F +300F) | Shaft Rotation:           | Reversible            |
| Blower:                         | None                    | Speed Code:               | Single Speed          |
| Constant Torque Speed Range:    | 6                       | Motor Standards:          | NEMA                  |

|                                       |                           |                                    |                            |
|---------------------------------------|---------------------------|------------------------------------|----------------------------|
| <b>Current @ Voltage:</b>             | 3.300 A @ 575.0 V         | <b>Starting Method:</b>            | Direct on line             |
| <b>Design Code:</b>                   | B                         | <b>Thermal Device - Bearing:</b>   | None                       |
| <b>Drip Cover:</b>                    | No Drip Cover             | <b>Thermal Device - Winding:</b>   | Normally Closed Thermostat |
| <b>Duty Rating:</b>                   | CONT                      | <b>Vibration Sensor Indicator:</b> | No Vibration Sensor        |
| <b>Electrically Isolated Bearing:</b> | Not Electrically Isolated | <b>Winding Thermal 1:</b>          | None                       |
| <b>Feedback Device:</b>               | NO FEEDBACK               | <b>Winding Thermal 2:</b>          | None                       |
| <b>Heater Indicator:</b>              | No Heater                 | <b>XP Temp Code:</b>               | T3C                        |

| Nameplate NP1401XPSLEV |                     |  |        |              |                     |       |     |          |          |      |  |
|------------------------|---------------------|--|--------|--------------|---------------------|-------|-----|----------|----------|------|--|
| NO.                    |                     |  |        |              | CC                  | 010A  |     |          |          |      |  |
| S/N                    |                     |  |        |              | TEMP CODE           | T3C   |     |          |          |      |  |
| SPEC.                  | 06-0000-0194        |  |        |              | INV.TYPE            | PWM   |     |          |          |      |  |
| CAT.NO.                | JPDRX18344T-5       |  |        |              | C HP FR             | 60    |     | C HP TO  | 90       |      |  |
| HP                     | 3                   |  |        |              | CT HZ FROM          | 6     |     | CT HZ TO | 60       |      |  |
| VOLTS                  | 575                 |  |        |              | VT HZ FROM          | 6     |     | VT HZ TO | 60       |      |  |
| AMPS                   | 3.3                 |  |        |              | MAG CUR             | 1.7   |     |          |          |      |  |
| RPM                    | 1755                |  |        |              | MX RPM              | 2700  |     |          |          |      |  |
| HZ                     | 60                  |  | PH     | 3            |                     | CL    | F   |          |          |      |  |
| SER.F.                 | 1.00                |  | DES    | B            |                     | SL HZ | 1.5 |          | NOM.EFF. | 89.5 |  |
| FRAME                  | 182JP               |  | RATING | 40C AMB-CONT |                     |       |     | WK2      | 0.3      |      |  |
|                        | 55C AMB @ 1.0 SF    |  |        |              |                     |       |     |          |          |      |  |
|                        | 1.15 SF ON SINEWAVE |  |        |              | NEMA MG-1 PT 5,IP55 |       |     |          |          |      |  |
|                        |                     |  |        |              |                     |       |     |          |          |      |  |

| Parts List   |  |          |
|--------------|--|----------|
| Part Number  | Description                              | Quantity |
| SA372663     | SA 06-0000-0194                          | 1.000 EA |
| RA362413     | RA 06-0000-0194                          | 1.000 EA |
| LB1115N      | LABEL,LIFTING DEVICE (ON ROLLS)          | 1.000 EA |
| LB1119N      | WARNING LABEL                            | 1.000 EA |
| LC0006       | CONNECTION LABEL                         | 1.000 EA |
| NP1401XPSLEV | SS XP INV UL CSA-EEV CC CL-I GP-C&D      | 1.000 EA |
| 85XU0407S04  | 4X1/4 U DRIVE PIN STAINLESS              | 2.000 EA |
| 85XU0407S04  | 4X1/4 U DRIVE PIN STAINLESS              | 4.000 EA |
| MN416A01     | TAG-INSTAL-MAINT no wire (2100/bx) 4/22  | 1.000 EA |
| LB1081F      | ALUM XP CAUTION LABEL (FS PLANT ONLY-    | 1.000 EA |
| HW3201A05    | 3/8-16 EYEBOLT                           | 1.000 EA |
| 06FH1003A06  | FH, XP W/GRSR                            | 1.000 EA |
| 51XN1032A14  | 10-32 X 0.875 HX WS SL SR                | 4.000 EA |
| 34FN3002A02  | EXTERNAL FAN, PLASTIC, .905/.907 HUB W/  | 1.000 EA |
| 51XB0818A12  | 8-18X3/4 HXWSSLD SERTYB                  | 1.000 EA |
| MJ1000A02    | GREASE, MOBIL POLYREX EM - 124047        | 0.050 LB |
| 06EP1709A07  | FREP XPFC 205 BRG GRP C W/DRAIN (HW4506A | 1.000 EA |
| 10XN3118K20  | 5/16-18 X 1 1/4 GRADE 5 STEEL ZC PLATED  | 4.000 EA |
| HW1001A31    | LOCKWASHER 5/16, ZINC PLT.591 OD, .319 I | 4.000 EA |
| HW5100A05    | WVY WSHR F/205 & 304 BRGS                | 1.000 EA |
| HW4500A01    | 1641B(ALEMITE)400 UNIV, GREASE FITT      | 1.000 EA |
| HW4500A19    | 1/4-28X1/4 SLOTTED PLUG F/S              | 1.000 EA |
| HW4506A02    | BREATHER/DRAIN-EXP PROOF-.125-27 NPTF AI | 1.000 EA |
| HW3022E05    | .125 DIA X .500 ROLLED SPRING PIN        | 1.000 EA |

| Parts List (continued) |  |          |
|------------------------|--|----------|
| Part Number            | Description                              | Quantity |
| 06EP1708A18            | PULLEY 182-4C XP 6007 BRG GRP-C W/ DRAIN | 1.000 EA |
| HW1001A31              | LOCKWASHER 5/16, ZINC PLT.591 OD, .319 I | 4.000 EA |
| 10XN3118K20            | 5/16-18 X 1 1/4 GRADE 5 STEEL ZC PLATED  | 4.000 EA |
| HA2065A02              | SLINGER, ALUM MODLE 36 & 37 DRILL RIG MT | 1.000 EA |
| 80XN1032A07            | SET SCREW, HEX XOCK, ZN                  | 1.000 EA |
| 51XN1032A20            | 10-32 X 1 1/4 HX WS SL SR                | 2.000 EA |
| HW4001A01              | 1/4 HX SOC PIPE PLG (F/S) ALLOY STEEL W/ | 2.000 EA |
| 60XN1032A07            | 10-32 X .4375 TRUSS HEAD, TORX SERRATED  | 2.000 EA |
| HW4506A02              | BREATHER/DRAIN-EXP PROOF-.125-27 NPTF AI | 1.000 EA |
| HW3022E05              | .125 DIA X .500 ROLLED SPRING PIN        | 1.000 EA |
| 07CB1000A02            | CONDUIT BOX, MODEL 306,EXP. PROOF        | 1.000 EA |
| 84XN2520J16            | 1/4-20 X 1 SOC HD CAP SCREW              | 4.000 EA |
| HW1001A25              | LOCKWASHER 1/4, ZINC PLT .493 OD, .255 I | 4.000 EA |
| WD1000B17              | T&B CX35TN OR L35P TERMINAL LUG          | 1.000 EA |
| 11XW1032G06            | 10-32 X .38, TAPTITE II, HEX WSHR SLTD U | 1.000 EA |
| 07CB1502A01            | CONDUIT BOX LID MACH (DUCTILE IRON)      | 1.000 EA |
| 84XN2520J16            | 1/4-20 X 1 SOC HD CAP SCREW              | 4.000 EA |
| HW1001A25              | LOCKWASHER 1/4, ZINC PLT .493 OD, .255 I | 4.000 EA |
| MG1500Y02              | WILKOPON PRIMER YELLOW                   | 0.022 GA |
| MG1025G29              | WILKOFASST, 789.229, DARK CHARCOAL GRAY  | 0.022 GA |
| G0PA1000               | PKG GRP, PRINT PK1026A06                 | 1.000 EA |
| HW2501D14              | KEY, 3/16 SQ X 1.500                     | 1.000 EA |
| HA7000A01              | KEY RETAINER 7/8" DIA SHAFT              | 1.000 EA |

**AC Induction Motor Performance Data**

Record # 77531

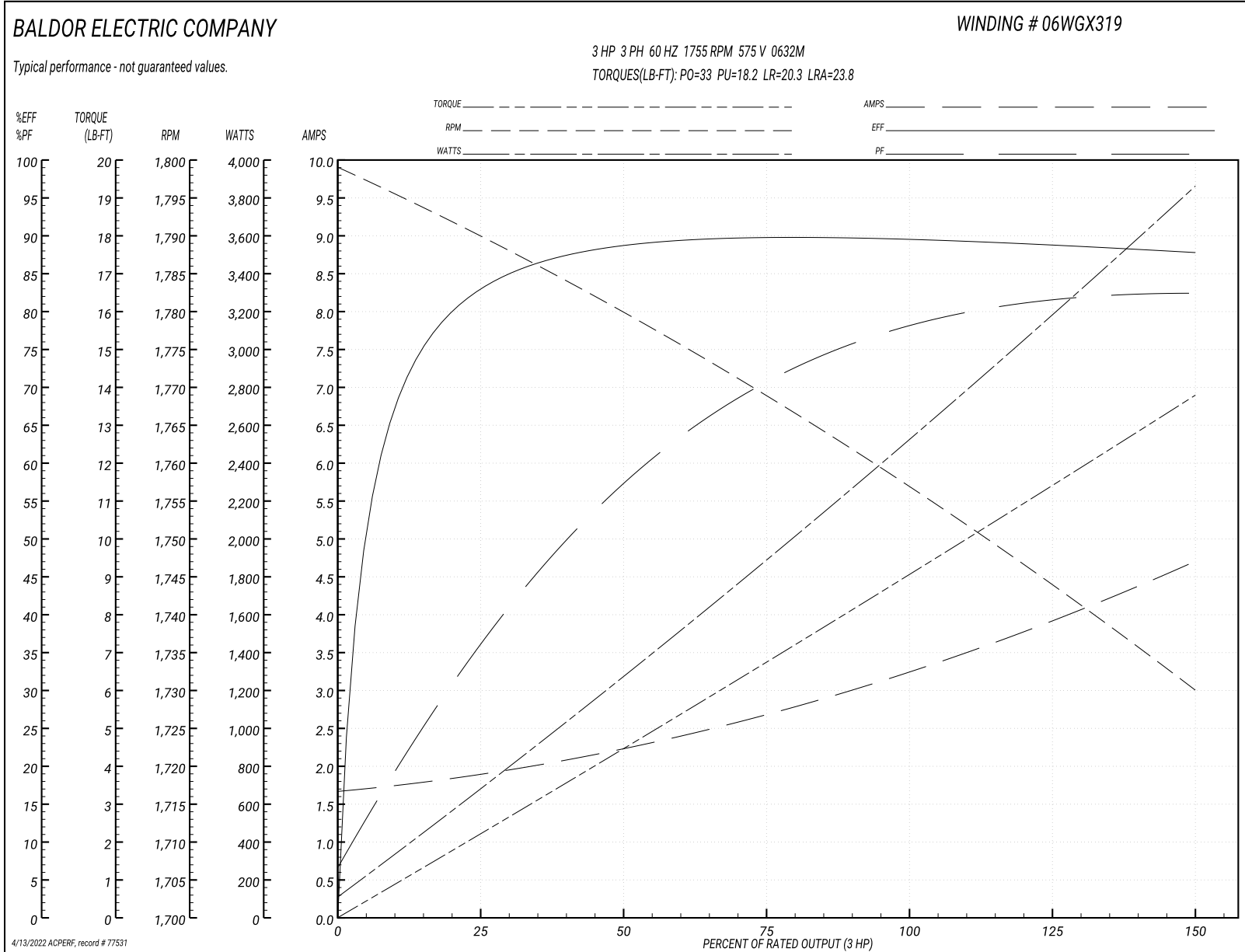
Typical performance - not guaranteed values

| <b>Winding:</b> 06WGX319-R028 |                          | <b>Type:</b> 0632M         |   | <b>Enclosure:</b> XPFC   |  |
|-------------------------------|--------------------------|----------------------------|---|--------------------------|--|
| <b>Nameplate Data</b>         |                          |                            | <b>575 V, 60 Hz:<br/>Single Voltage Motor</b> |                          |  |
| <b>Rated Output (HP)</b>      | 3                        | <b>Full Load Torque</b>    | 9.05 LB-FT                                    |                          |  |
| <b>Volts</b>                  | 575                      | <b>Start Configuration</b> | direct on line                                |                          |  |
| <b>Full Load Amps</b>         | 3.3                      | <b>Breakdown Torque</b>    | 33 LB-FT                                      |                          |  |
| <b>R.P.M.</b>                 | 1755                     | <b>Pull-up Torque</b>      | 18.2 LB-FT                                    |                          |  |
| <b>Hz</b>                     | 60 <b>Phase</b>          | 3                          | <b>Locked-rotor Torque</b>                    | 20.3 LB-FT               |  |
| <b>NEMA Design Code</b>       | <b>B KVA Code</b>        | J                          | <b>Starting Current</b>                       | 23.8 A                   |  |
| <b>Service Factor (S.F.)</b>  |                          | 1                          | <b>No-load Current</b>                        | 1.7 A                    |  |
| <b>NEMA Nom. Eff.</b>         | 89.5 <b>Power Factor</b> | 77                         | <b>Line-line Res. @ 25°C</b>                  | 6.2 Ω                    |  |
| <b>Rating - Duty</b>          | 40C AMB-CONT             |                            | <b>Temp. Rise @ Rated Load</b>                | 35°C                     |  |
|                               |                          |                            | <b>Locked-rotor Power Factor</b>              | 41.5                     |  |
|                               |                          |                            | <b>Rotor inertia</b>                          | 0.298 LB-FT <sup>2</sup> |  |

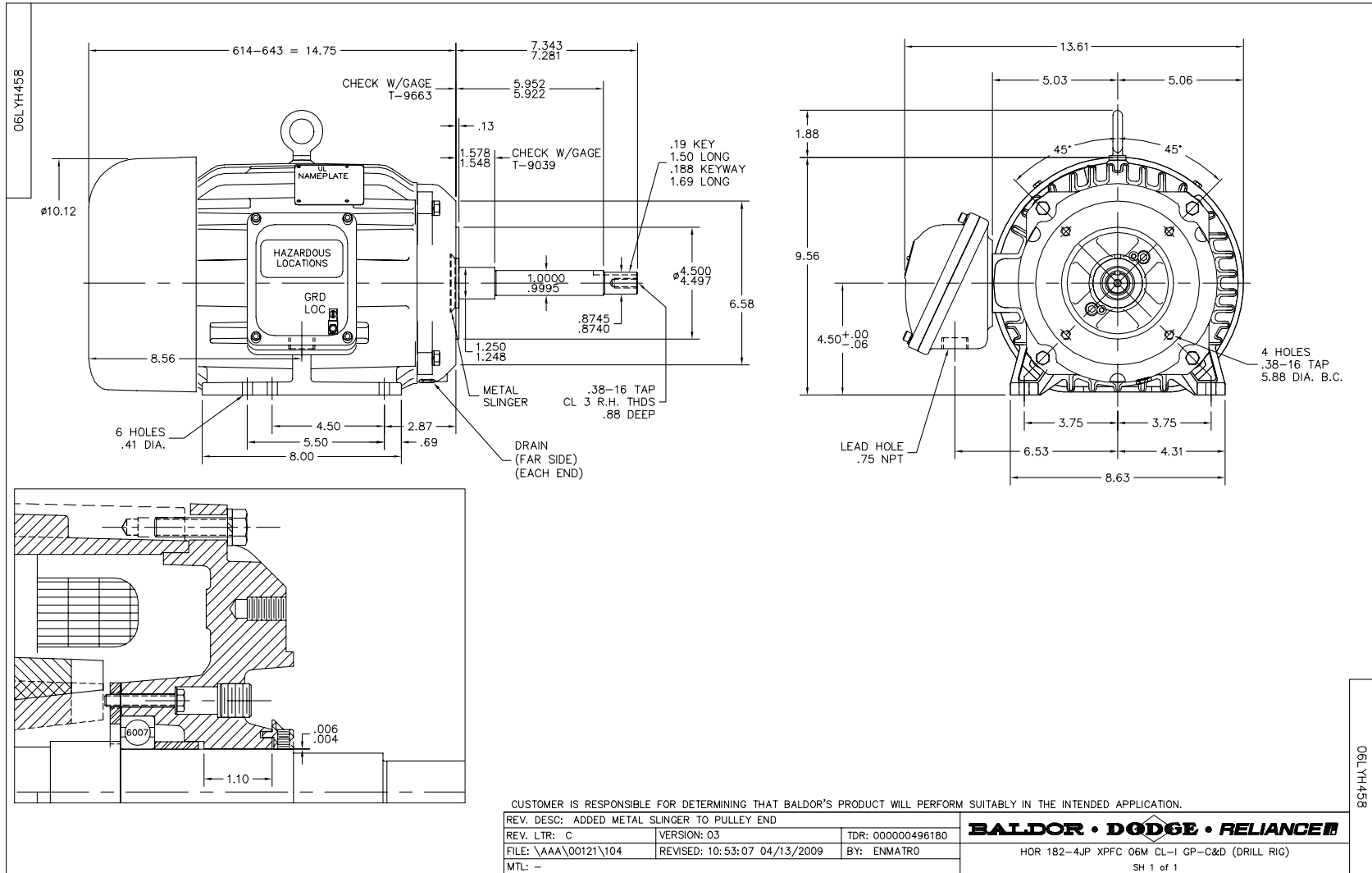
**Load Characteristics 575 V, 60 Hz, 3 HP**

| <b>% of Rated Load</b> | <b>25</b> | <b>50</b> | <b>75</b> | <b>100</b> | <b>125</b> | <b>150</b> |
|------------------------|-----------|-----------|-----------|------------|------------|------------|
| <b>Power Factor</b>    | 38        | 59        | 71        | 77         | 81         | 83         |
| <b>Efficiency</b>      | 83        | 88.4      | 89.7      | 89.6       | 89         | 87.6       |
| <b>Speed</b>           | 1790      | 1779      | 1769      | 1757       | 1744       | 1730       |
| <b>Line amperes</b>    | 1.86      | 2.22      | 2.71      | 3.27       | 3.92       | 4.69       |

Performance Graph at 575V, 60Hz, 3.0HP Typical performance - Not guaranteed values







CD0006



NOTES:

1. THREE LEAD MOTOR MAY BE EITHER WYE CONNECTED OR DELTA CONNECTED.
2. INTERCHANGE ANY TWO LINE LEADS TO REVERSE ROTATION.
3. OPTIONAL THERMOSTATS ARE PROVIDED WHEN SPECIFIED.
4. ACTUAL NUMBER OF INTERNAL PARALLEL CIRCUITS MAY VARY.
5. LEAD COLORS ARE OPTIONAL. LEADS MUST BE NUMBERED AS SHOWN.

CD0006

|                                   |                              |                   |
|-----------------------------------|------------------------------|-------------------|
| REV. DESC: ADD CLASS CONN00000007 |                              |                   |
| REV. LTR: E                       | VERSION: 01                  | TDR: 000001099922 |
| FILE: \AAA\00005\141              | REVISED: 10:24:49 02/19/2019 | BY: ENBRIRO       |
| MTL: -                            | © □                          |                   |

**BALDOR - RELIANCE®**

3PH, SV, 3 LEADS, WYE OR DELTA CONNECTED

SH 1 of 1

Marketing maintained PDF of MN416:

<http://www.baldor.com/support/Literature/Load.ashx/MN416?ManNumber=MN416>