

PRODUCT INFORMATION PACKET

Model No: 056T17D2092

Catalog No: K004

General Purpose Motor, 1 HP, 3 Ph, 60 Hz, 208-230/460 V, 1800 RPM, 56 Frame, DP



Regal and are trademarks of Regal Rexnord Corporation or one of its affiliated companies.
©2022 Regal Rexnord Corporation, All Rights Reserved. MC017097E

Nameplate Specifications

Output HP	1 Hp	Output KW	0.75 kW
Frequency	60 Hz	Voltage	208-230/460 V
Current	3.5-3.2/1.6 A	Speed	1725 rpm
Service Factor	1.15	Phase	3
Efficiency	77 %	Power Factor	75
Duty	Continuous	Insulation Class	B
Design Code	B	KVA Code	H
Frame	56	Enclosure	Drip Proof
Thermal Protection	No Protection	Ambient Temperature	40 °C
Drive End Bearing Size	6203	Opp Drive End Bearing Size	6203
UL	Recognized	CSA	Y
CE	Y	IP Code	12
Number of Speeds	1		

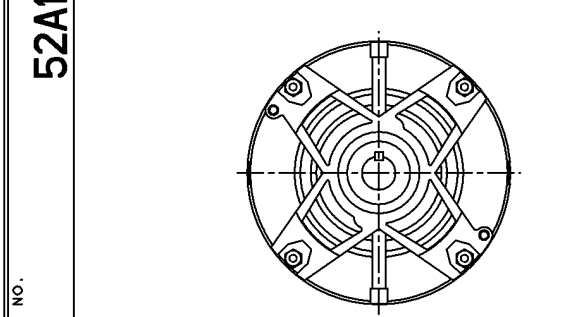
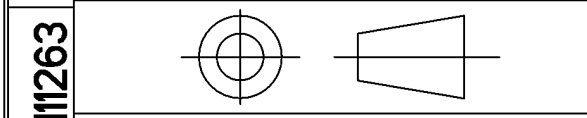
Technical Specifications

Electrical Type	Squirrel Cage Induction Run	Starting Method	Across The Line
Poles	4	Rotation	Reversible
Resistance Main	18 Ohms	Mounting	Rigid Base
Motor Orientation	Horizontal	Drive End Bearing	Ball
Opp Drive End Bearing	Ball	Frame Material	Rolled Steel
Shaft Type	T	Overall Length	11.32 in
Frame Length	7.22 in	Shaft Diameter	0.625 in
Shaft Extension	1.88 in	Assembly/Box Mounting	F1 Only
Outline Drawing	52A111263P1	Connection Drawing	113A930FIG2

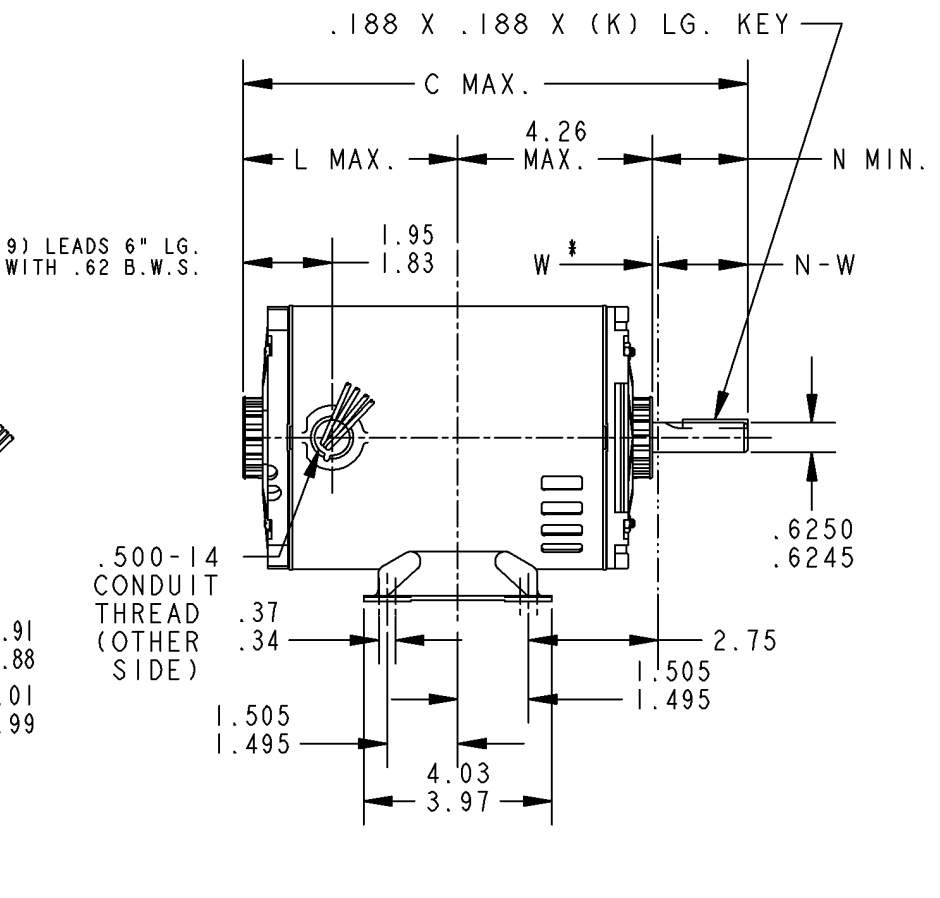
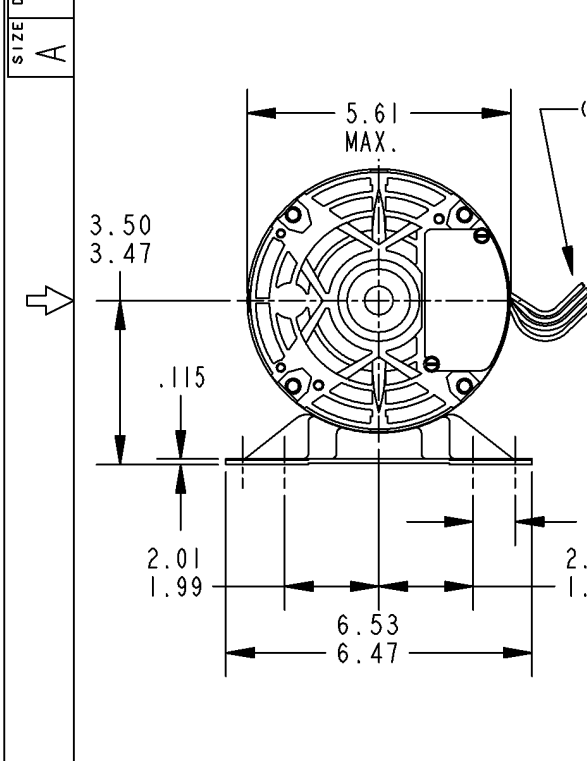
RBC PROPRIETARY AND CONFIDENTIAL INFORMATION
 This document is the property of REGAL BELOIT CORPORATION ("RBC") including its subsidiaries and divisions and contains proprietary information of RBC. This document is loaned on the express condition that neither it nor the information contained therein shall be disclosed to others without the express written consent of RBC, and that the information shall be used by the recipient only as approved expressly by RBC. This document shall be returned to RBC upon its request. This document may be subject to certain restrictions under U.S. export control laws and regulations.

REVISIONS			
REV.	DESCRIPTION	DATE	APPROVED
1	UPDATED AS PER IS05-1826	09/06/05	PRAVEEN.K

THIRD ANGLE PROJECTION



VIEW SHOWING P.E. VENTILATION OPENINGS



(9) LEADS 6" LG. WITH .62 B.W.S.

I	K	38	56Z	11.32	1.38	5.23	1.88	2.01/1.79
P	TYPE	GE SIZE	NEMA FR	C	K	L	N	N - W

W* IS A CLEARNCE DUE TO VARIATION IN PARTS AND ASSEMBLY.

FOR ADDITIONAL INFO REFER TO:	SIGNATURES	DATE
APPLIED PRACTICES	MODEL	
DIMENSIONS ARE IN INCHES	DETAIL	MANTRI.U 11/10/04
TOLERANCE ON: 1 PL DECIMALS ± 0.1 2 PL DECIMALS ± 0.02 3 PL DECIMALS ± 0.005 ANGLES ± 1.0 FRACTIONS ±	CHECKED	
	ENGRG	
	MFG	
	QUALITY	
FINISH	ISSUED	MANTRI.U 11/10/04
MATERIAL	SOLID MODEL: 52A111263	



REGAL-BELOIT CORPORATION

TITLE		OUTLINE	
		FORM N - GENERAL PURPOSE MOTOR	
		DRIP PROOF - WELDED BASE - BALL BEARING	
SIZE	DRAWING	52A111263	REV
A			1
SCALE: 0.003		REF. No: .	SHEET 1 of 1

SHEET —
REV —
113A930FIG2 2
SIZE DRAWING NO. A

RBC PROPRIETARY AND CONFIDENTIAL INFORMATION

This document is the property of REGAL BELOIT CORPORATION ("RBC") including its subsidiaries and divisions and contains proprietary information of RBC. This document is loaned on the express condition that neither it nor the information contained therein shall be disclosed to others without the express written consent of RBC, and that the information shall be used by the recipient only as approved expressly by RBC. This document shall be returned to RBC upon its request. This document may be subject to certain restrictions under U.S. export control laws and regulations.

REVISIONS

REV.	DESCRIPTION	DATE	APPROVED
1	CHG TO RBC FORMAT PER ISO5-1777	06/15/06	MADHU
2	RENAMED 113A930_FIG_2 TO 113A930FIG2 PER ISO7-0972	05/08/07	MADHU

THIRD ANGLE PROJECTION

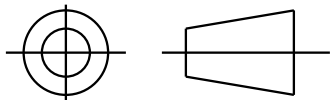
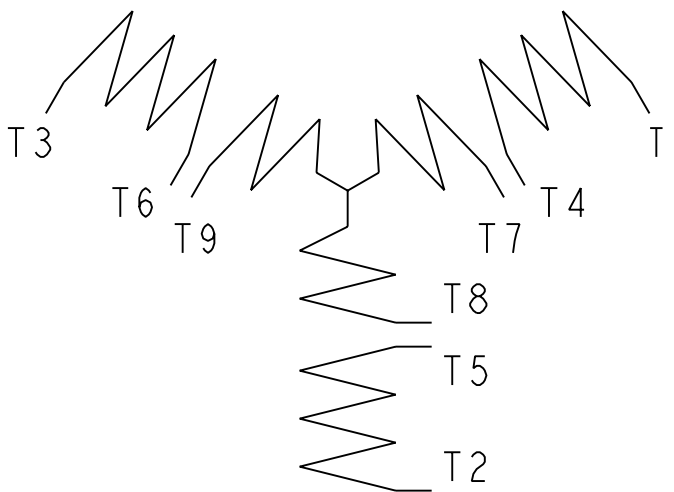


FIG. 2

3 PHASE



	VOLTS	L1	L2	L3	TOGETHER
2Y	LOW	1-7	2-8	3-9	4-5-6
1Y	HIGH	1	2	3	4-7, 5-8, 6-9

BRAKE MOTORS: CONNECT BRAKE LEADS B1 & B2 TO MOTOR LEADS T7 & T8.

FOR ADDITIONAL INFO REFER TO:	SIGNATURES	DATE
APPLIED PRACTICES	MODEL M. D. PAPE	02/25/03
DIMENSIONS ARE IN INCHES	DETAIL	.
TOLERANCE ON:	CHECKED	.
1 PL DECIMALS ± 0.1	ENGRG	.
2 PL DECIMALS ± 0.02	MFG	.
3 PL DECIMALS ± 0.005	QUALITY	.
ANGLES ± 1.0	ISSUED	M. D. PAPE 02/25/03
FRACTIONS ±		
FINISH ✓		
MATERIAL	SOLID MODEL: 113A930FIG2	



REGAL-BELOIT CORPORATION

TITLE CONNECTION DIAGRAM

SIZE	DRAWING	REV
A	113A930FIG2	2
SCALE: 1.000	REF. No: .	SHEET 1 of 1

CERTIFICATION DATA SHEET

Model#: 56T17D2092 K
CONN. DIAGRAM: 113A930FIG2
OUTLINE: 52A111263P1

WINDING#: 52X331750P1 NONE 0
ASSEMBLY: F1 ONLY

TYPICAL MOTOR PERFORMANCE DATA

HP	KW	SYNC. RPM	F.L. RPM	FRAME	ENCLOSURE	KVA CODE	DESIGN
1&3/4	.75&.56	1800	1725&1425	56	DP	H	B

PH	Hz	VOLTS	FL AMPS	START TYPE	DUTY	INSL	S.F	AMB°C	ELEVATION
3	60/50	208- 230/460#190/ 380	3.53-3.2/1.6	ACROSS THE LINE	CONTINUOU S	B3	1.15/1.15	40	3300

FULL LOAD EFF: 77	3/4 LOAD EFF: 76.5	1/2 LOAD EFF: 73.3	GTD. EFF	ELEC. TYPE	NO LOAD AMPS
FULL LOAD PF: 75	3/4 LOAD PF: 63.2	1/2 LOAD PF: 51.2	74	SQ CAGE IND RUN	2.2 / 1.1

F.L. TORQUE	LOCKED ROTOR AMPS	L.R. TORQUE	B.D. TORQUE	F.L. RISE°C
49.3 LB-FT	19.6 / 9.8	175 LB-FT 355	190 LB-FT 385	0

SOUND PRESSURE @ 3 FT.	SOUND POWER	ROTOR WK^2	MAX. WK^2	SAFE STALL TIME	STARTS /HOUR	APPROX. MOTOR WGT
- dBA	- dBA	0 LB-FT^2	- LB-FT^2	10 SEC.	2	26 LBS.

***** SUPPLEMENTAL INFORMATION *****

DE BRACKET TYPE	ODE BRACKET TYPE	MOUNT TYPE	ORIENTATION	SEVERE DUTY	HAZARDOUS LOCATION	DRIP COVER	SCREENS	PAINT
STANDARD	STANDARD	RIGID	HORIZONTAL	FALSE	NONE	FALSE	NONE	GRAY (POWDER)

BEARINGS		GREASE	SHAFT TYPE	SPECIAL DE	SPECIAL ODE	SHAFT MATERIAL	FRAME MATERIAL
DE	OPE						
BALL	BALL	POLYREX EM	T	NONE	NONE	1144 STRESSPROOF (C-223)	ROLLED STEEL
6203	6203						

THERMO-PROTECTORS				THERMISTORS	CONTROL	SPACE /n HEATERS
THERMOSTATS	PROTECTORS	WDG RTDs	BRG RTDs			
NONE	NOT	NONE	NONE	NONE	FALSE	NONE VOLTS

If Inverter equals NONE, contact factory for further information

*
N
O
T
E
S
*

INVERTER TORQUE: NONE
INV. HP SPEED RANGE: NONE
ENCODER: NONE
NONE NONE
NONE NONE PPR
BRAKE: NONE NONE
NONE P/N NONE
NONE NONE
NONE FT-LB NONE V NONE Hz

DATE: 06/28/2017 05:44:11 AM
 FORM 3531 REV.3 02/07/99

** Subject to change without notice.

Data Sheet

Date: 12/13/2018
 Customer: _____
 Attention: _____
 Submitted by: FAREEDA DUDEKULA



56T17D2092

Submittal

Data @ 460 V

Motor Load Data

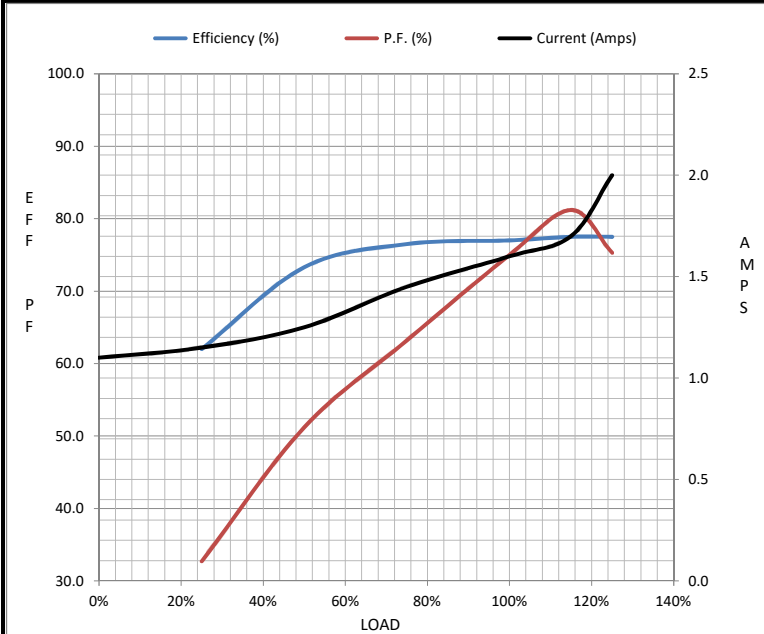
Load	0%	25%	50%	75%	100%	115%	125%	LR
Current (Amps)	1.10	1.15	1.25	1.45	1.60	1.70	2.00	9.8
Torque (ft-lb)	0.00	188	383	581	787	914	1,001	2,793
RPM	1800	1775	1755	1728	1700	1,680	1670	0
Efficiency (%)		62.0	73.3	76.5	77.0	77.5	77.5	
P.F. (%)	13.7	32.7	51.2	63.2	75.0	81.2	75.3	0.0

Motor Speed Data

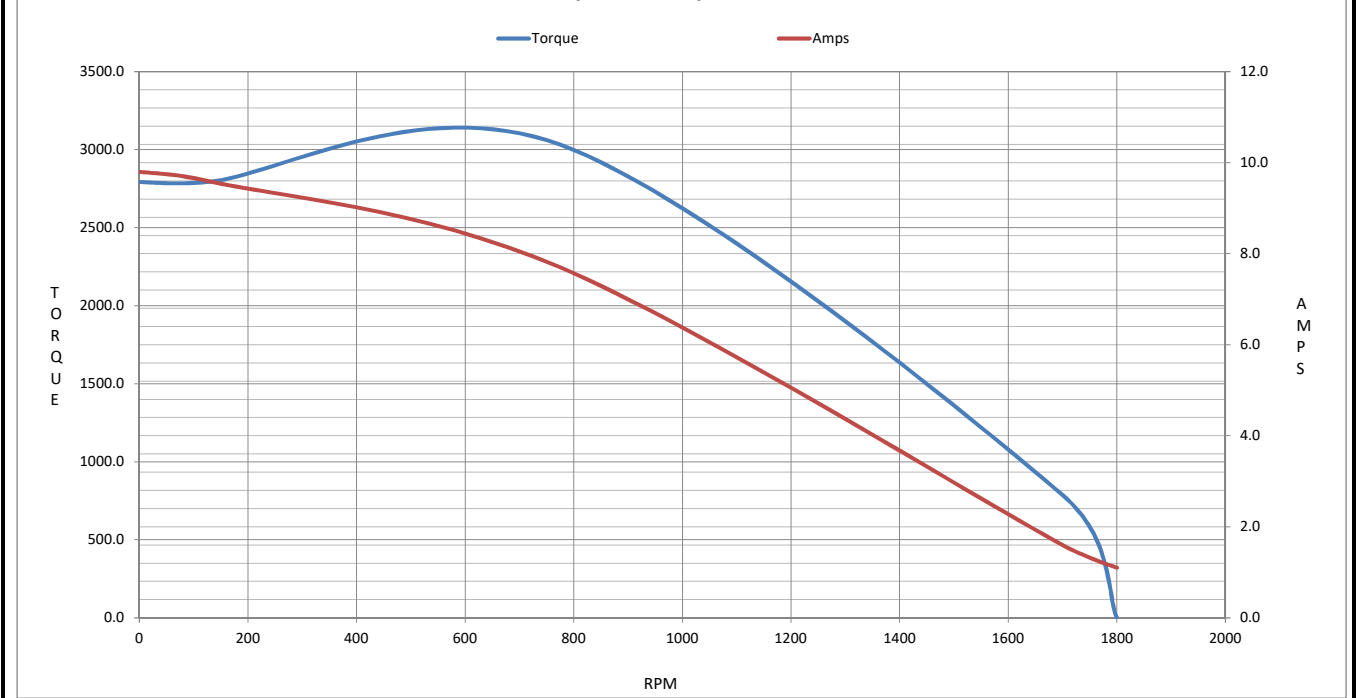
	LR	Pull-Up	BD	Rated	Idle
Speed (RPM)	0	125	775	1700	1800
Current (Amps)	9.8	9.6	7.7	1.60	1.10
Torque (ft-lb)	2,793	2,793	3,032	787	0.00

Information Block

HP	1.0			
Sync. RPM	1800			
Frame	56			
Enclosure	DP			
Construction	TS			
Voltage	208-230/460#190/380 V			
Frequency	60 Hz			
Design	B			
LR Code letter	H			
Service Factor	1.15			
Temp Rise @ FL	0 °C			
Duty	CONT			
Ambient	40 °C			
Elevation	1,000 feet			
Rotor/Shaft wk ²	0.00 Lb-Ft ²			
Ref Wdg	52X331750P1 NONE			
Sound Pressure @ 1M	999 dBA			
VFD Rating	NONE			
Outline Dwg	52A111263P1			
Conn. Diag	113A930FIG2			
Additional Specifications:				
0				
0				
EQUIV CKT (OHMS / PHASE)				
R1	R2	X1	X2	Xm
0.0000	0.0000	0.0000	0.0000	0.0000



Speed - Torque Curve



EC Declaration of Conformity

The undersigned representing
the manufacturer:

Regal Beloit America
100 East Randolph St.
Wausau, WI 54401

and the authorized representative
established within the Community:

Marathon Electric UK
6F Thistleton Road Ind. Estate
Market Overton
Oakham, Rutland LE15 7PP UK

are committed to providing customers with products that comply with applicable regulations and international protocols to which they are subject, including the requirements of the European Parliament Directive on the Harmonization of the laws relating to electrical equipment designed for use within certain voltage limits (2014/35/EU).

Regal Beloit America declares that the following product(s), to which this declaration relates, are in conformity with the relevant sections of the EC standards listed below.

This statement supersedes any statements previously issued pertaining to the product(s) listed below and is subject to change without notice.

Model No : 056T17D2092

(Model No. may contain prefix and/or suffix characters)

Catalog No : K004

Rework No : N/A

Directives :

Low Voltage Directive 2014/35/EU

Harmonized Standards Used :

EN 60034-1: 2010 (IEC 60034-1: 2010)

EN 60034-5: 2001/A1:2007 (IEC 60034-5: 2000/A1:2006)

Authorized Representative:



Michael A. Logsdon
Vice President, Technology

Authorized Representative in the Community:



Julian Clark
Marketing Engineer

Created on 09/01/2022

CE 22