

**BALDOR® • RELIANCE** 

**Product Information Packet**

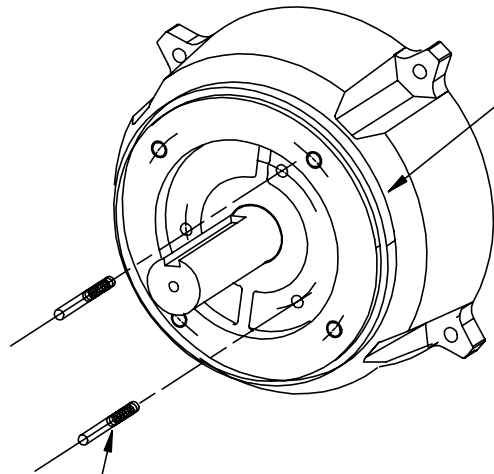
**K44G70**

**C FACE KIT G440 TEFC,XT 2P**

| <b>Parts List</b>  |                              |                 |
|--------------------|------------------------------|-----------------|
| <b>Part Number</b> | <b>Description</b>           | <b>Quantity</b> |
| 702623012A         | THERMAL BARRIER, G28         | 1.000 EA        |
| 032018004BK        | HHCS 5/16-18X1/2 PLATED      | 3.000 EA        |
| 034017013AB        | LCKW 5/16 STD. PLATED        | 3.000 EA        |
| 089490104A         | C-FACE BRKT, DE 089490103WCA | 1.000 EA        |
| 048977006C         | GRFTG - XP                   | 1.000 EA        |
| 000692000RS        | NP                           | 1.000 EA        |
| 033775004EA        | DRSCR #6-1/4 304 S.S.        | 2.000 EA        |
| 415915007K         | GASK, 26" LAC                | 1.000 EA        |

No performance data has been  
assigned to this product.

415010-011-SH3



**A**  
BRACKET (END SHIELD)

NOTE: FOR DETAILED INSTALLATION INSTRUCTIONS,  
SEE DRAWING DK34945-23.

USE THREADED ROD OR  
HEADLESS SCREW TO ALIGN  
INNER CAP FOR MOUNTING

|          |          |    |    |    |                   |     |             |
|----------|----------|----|----|----|-------------------|-----|-------------|
| 1        |          |    |    |    | THERMAL BARRIER   |     | 702623-013R |
| 1        |          |    |    |    | BRACKET           |     | 89490-106A  |
|          | 1        |    |    |    | THERMAL BARRIER   |     | 702623-012R |
|          | 1        |    |    |    | BRACKET           |     | 89490-104A  |
|          |          | 1  |    |    | BRACKET           | A   | 89490-4B    |
| 3        | 3        | 3  | 3  |    | LCKW THERM. BARR. |     | 34017-13AB  |
| 3        | 3        | 3  | 3  |    | HHCS THERM. BARR. |     | 32018-4BK   |
|          |          | 1  | 1  |    | THERMAL BARRIER   |     | 702623-2B   |
|          |          |    | 1  | 1  | BRACKET           | A   | 89447-17E   |
| VB       | UB       | TB | SB | RB | NAME              | SYM | PART NUMBER |
| 6318 BRG | K44G0073 |    |    |    |                   |     |             |
| 6313 BRG | K44G0072 |    |    |    |                   |     |             |
| 6313 BRG | K44G0052 |    |    |    |                   |     |             |
| 6318 BRG | K44G0051 |    |    |    |                   |     |             |
| 6318 BRG | K44G0050 |    |    |    |                   |     |             |

CUSTOMER IS RESPONSIBLE FOR DETERMINING THAT BALDOR'S PRODUCT WILL PERFORM SUITABLY IN THE INTENDED APPLICATION.

|                                |                              |                   |
|--------------------------------|------------------------------|-------------------|
| REV. DESC: ADD SYMBOLS UB & VB |                              |                   |
| REV. LTR: A                    | VERSION: 01                  | TDR: 000000748064 |
| FILE: \RAG\00002\927           | REVISED: 10:25:40 05/22/2012 |                   |
| MTL: -                         | BY: RAGTBM                   |                   |

**BALDOR**

BRACKET KIT C-FACE 250-440 TOTALLY ENCLOSED

SH 1 of 1

415010-011-SH3