

BALDOR® • RELIANCE 

Product Information Packet

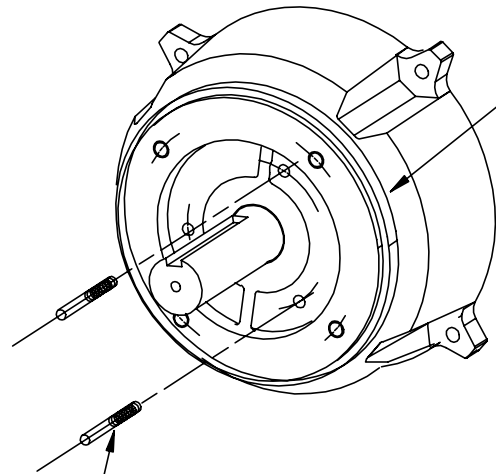
K44G71XT

C FACE KIT G440 TEFC,XT 4P & 6P

Parts List		
Part Number	Description	Quantity
702623013A	THERMAL BARRIER -- G28 -- BRACKET MTD	1.000 EA
032018004BK	HHCS 5/16-18X1/2 PLATED	3.000 EA
032018024FK	HHCS 3/4-10X3 PLTD.	5.000 EA
032018032DK	HHCS 1/2-13X4L PLATED	3.000 EA
034017013AB	LCKW 5/16 STD. PLATED	3.000 EA
089490106A	G28 C-FACE BRKT MACH-6318 089490105WCA	1.000 EA
048977006C	GRFTG - XP	1.000 EA
000692000RS	NP	1.000 EA
033775004EA	DRSCR #6-1/4 304 S.S.	2.000 EA
415915007G	GASK, LAC	1.000 FT
MG1025L14	WILKOFAS, 776.14, GRUNDFOS BLACK	0.008 GA

No performance data has been
assigned to this product.

415010-011-SH3



A
BRACKET (END SHIELD)

NOTE: FOR DETAILED INSTALLATION INSTRUCTIONS,
SEE DRAWING DK34945-23.

USE THREADED ROD OR
HEADLESS SCREW TO ALIGN
INNER CAP FOR MOUNTING

1						THERMAL BARRIER		702623-013R
1						BRACKET		89490-106A
	1					THERMAL BARRIER		702623-012R
	1					BRACKET		89490-104A
		1				BRACKET	A	89490-4B
3	3	3	3			LCKW THERM. BARR.		34017-13AB
3	3	3	3			HHCS THERM. BARR.		32018-4BK
		1	1			THERMAL BARRIER		702623-2B
			1	1		BRACKET	A	89447-17E
VB	UB	TB	SB	RB		NAME	SYM	PART NUMBER
6318 BRG	K44G0073							
6313 BRG	K44G0072							
6313 BRG	K44G0052							
6318 BRG	K44G0051							
6318 BRG	K44G0050							

CUSTOMER IS RESPONSIBLE FOR DETERMINING THAT BALDOR'S PRODUCT WILL PERFORM SUITABLY IN THE INTENDED APPLICATION.

REV. DESC: ADD SYMBOLS UB & VB		
REV. LTR: A	VERSION: 01	TDR: 000000748064
FILE: \RAG\00002\927	REVISED: 10:25:40 05/22/2012	
MTL: -	BY: RAGTBM	

BALDOR

BRACKET KIT C-FACE 250-440 TOTALLY ENCLOSED

SH 1 of 1

415010-011-SH3