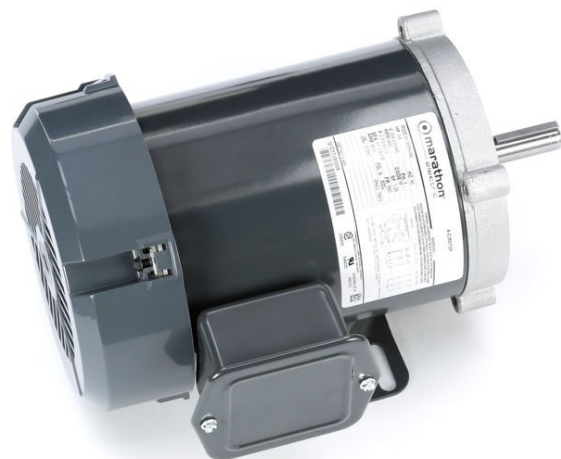


PRODUCT INFORMATION PACKET

Model No: 5K36MN342

Catalog No: K499

General Purpose Motor, 0.75 HP, 3 Ph, 60 Hz, 208-230/460 V, 3600 RPM, 56C Frame, TEFC



Regal and are trademarks of Regal Rexnord Corporation or one of its affiliated companies.
©2022 Regal Rexnord Corporation, All Rights Reserved. MC017097E

Nameplate Specifications

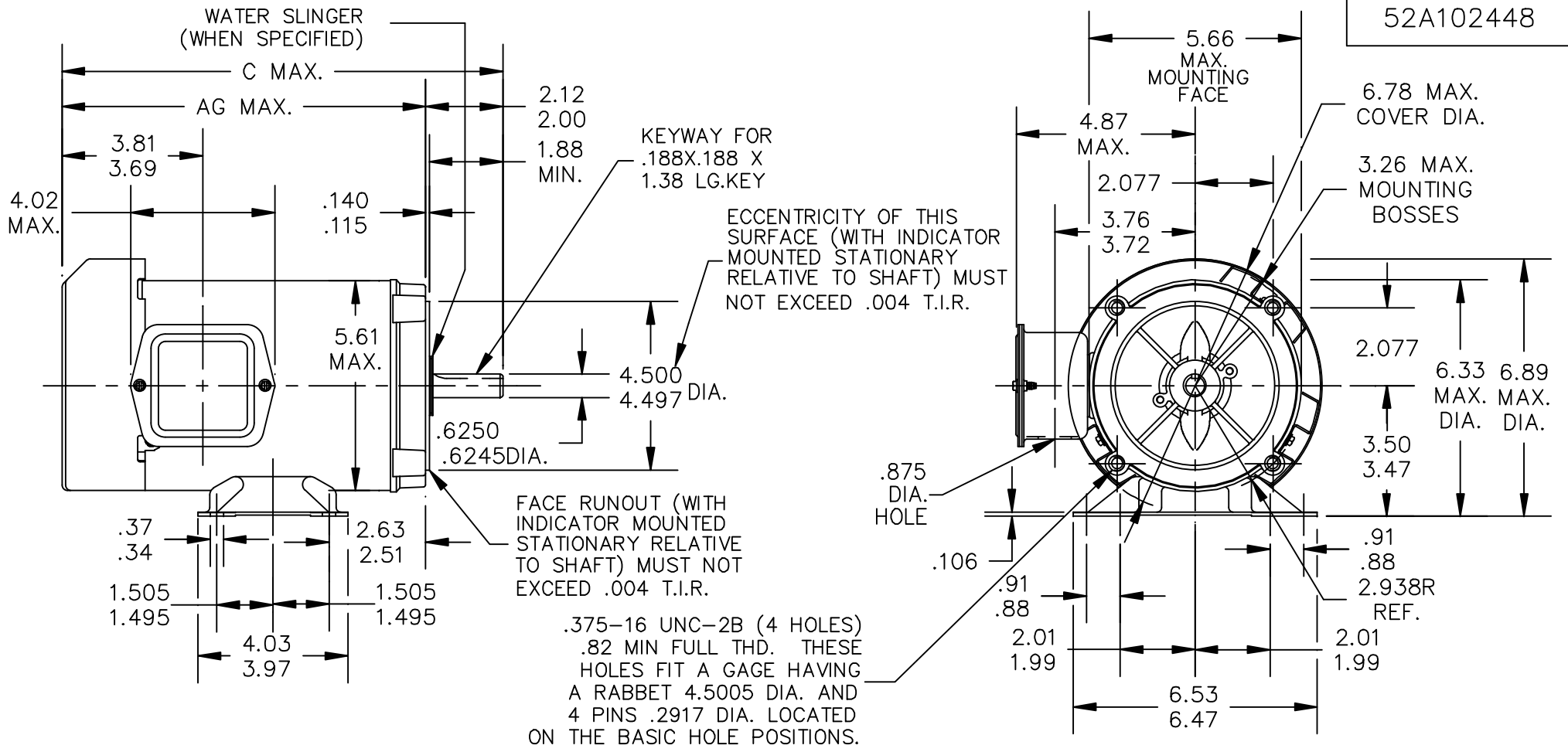
Output HP	0.75 Hp	Output KW	0.56 kW
Frequency	60 Hz	Voltage	208-230/460 V
Current	2.6-2.6 A	Speed	3450 rpm
Service Factor	1.25	Phase	3
Efficiency	0 %	Duty	Continuous
Insulation Class	B	Design Code	-
KVA Code	M	Frame	56C
Enclosure	Totally Enclosed Fan Cooled	Thermal Protection	No Protection
Ambient Temperature	40 °C	Drive End Bearing Size	6203
Opp Drive End Bearing Size	6203	UL	Recognized
CSA	Y	CE	N
Number of Speeds	1		

Technical Specifications

Electrical Type	Three Phase	Starting Method	N/R
Poles	2	Rotation	Counterclockwise/Clockwise
Mounting	Rigid Base	Motor Orientation	Any
Drive End Bearing	Ball	Opp Drive End Bearing	Ball
Overall Length	11.40 in	Frame Length	6.22 in
Shaft Extension	.625 X 1.88 KEY in		
Connection Drawing	113A930FIG2	Outline Drawing	52A102448P4

This is an uncontrolled document once printed or downloaded and is subject to change without notice. Date Created:09/15/2022

52A102448



4	K	36	56C	11.36	9.28							
3	K	35	56C	10.93	8.85							
2	K	32	56C	10.30	8.22	6	K	38	56C	12.36	10.28	
1	K	33	56C	10.55	8.47	5	K	37	56C	11.76	9.68	
P	TYPE	RBC SIZE	NEMA FR.	C	AG	P	TYPE	GE SIZE	NEMA FR.	C	AG	

NO.		REVISION	BY & DATE	CHK	ANG	TOLERANCES UNLESS SPECIFIED	REGAL-BELOIT CORPORATION				DRAWN M.D.P 10/12/77	
						DEC.	REGAL-BELOIT		TITLE		CHK	
						INCHES	REGAL-BELOIT CORPORATION		OUTLINE		APPD C.C.P 02/04/95	
11		REDRAWN IN DRAFTSIGHT -NO CHANGES	UD 09/08/12				REGAL-BELOIT CORPORATION		TOTALLY ENCLOSED OUTBOARD FAN - WELDED BASE -R2 MTG		SCALE 1=1	
10		CHG TO RBC FORMAT AS PER IS05-1777	GRN 01/02/06			.X	REGAL-BELOIT CORPORATION		MAT'L.		REF	
9		REDRAWN BY 2M SOFTWARE CO.	CCP 02/04/95			.XX	REGAL-BELOIT CORPORATION		FINISH		PREV	
8		REVISED BASE SLOT LOCATIONS	BLJ 03/07/91			.XXX	REGAL-BELOIT CORPORATION		CAD FILE 52A102448		DRAWING NO. 52A102448	
7		REVISED & REDRAWN	BLJ 01/28/91			.XXXX	REGAL-BELOIT CORPORATION		SIZE A		REV. 11	
						±1.0	REGAL-BELOIT CORPORATION					

THIS DRAWING IN DESIGN AND DETAIL IS OUR PROPERTY AND MUST NOT BE USED EXCEPT IN CONNECTION WITH OUR WORK ALL RIGHTS OF DESIGN AND INVENTION ARE RESERVED THIS IS AN ELECTRONICALLY GENERATED DOCUMENT - DO NOT SCALE THIS PRINT

RFP
DIST

CAD FILE 52A102448

SIZE A DRAWING NO.

52A102448

REV. 11

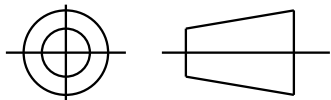
RBC PROPRIETARY AND CONFIDENTIAL INFORMATION

This document is the property of REGAL BELOIT CORPORATION ("RBC") including its subsidiaries and divisions and contains proprietary information of RBC. This document is loaned on the express condition that neither it nor the information contained therein shall be disclosed to others without the express written consent of RBC, and that the information shall be used by the recipient only as approved expressly by RBC. This document shall be returned to RBC upon its request. This document may be subject to certain restrictions under U.S. export control laws and regulations.

REVISIONS

REV.	DESCRIPTION	DATE	APPROVED
1	CHG TO RBC FORMAT PER ISO5-1777	06/15/06	MADHU
2	RENAMED 113A930_FIG_2 TO 113A930FIG2 PER ISO7-0972	05/08/07	MADHU

THIRD ANGLE PROJECTION



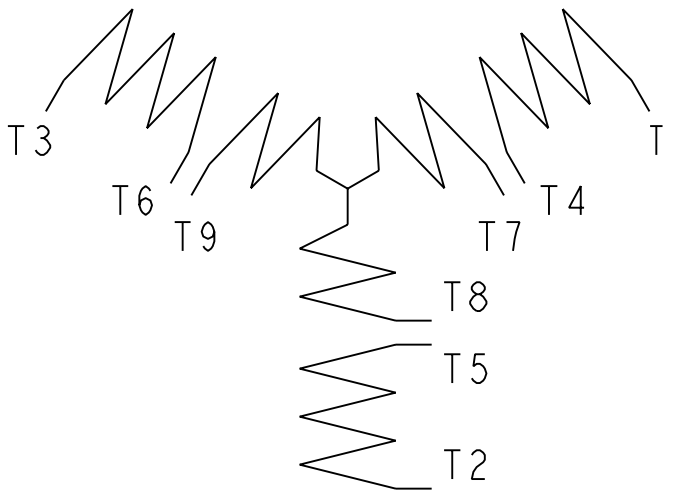
SHEET 2

SIZE DRAWING NO. A

113A930FIG2

FIG. 2

3 PHASE



	VOLTS	L1	L2	L3	TOGETHER
2Y	LOW	1-7	2-8	3-9	4-5-6
1Y	HIGH	1	2	3	4-7, 5-8, 6-9

BRAKE MOTORS: CONNECT BRAKE LEADS B1 & B2 TO MOTOR LEADS T7 & T8.

FOR ADDITIONAL INFO REFER TO:	SIGNATURES	DATE
APPLIED PRACTICES	MODEL M. D. PAPE	02/25/03
DIMENSIONS ARE IN INCHES	DETAIL	.
TOLERANCE ON:	CHECKED	.
1 PL DECIMALS ± 0.1	ENGRG	.
2 PL DECIMALS ± 0.02	MFG	.
3 PL DECIMALS ± 0.005	QUALITY	.
ANGLES ± 1.0	ISSUED	M. D. PAPE 02/25/03
FRACTIONS ±		
FINISH ✓		
MATERIAL	SOLID MODEL: 113A930FIG2	



REGAL-BELOIT CORPORATION

TITLE CONNECTION DIAGRAM

SIZE	DRAWING	REV
A		2
SCALE: 1.000	REF. No: .	SHEET 1 of 1

113A930FIG2