

PRODUCT INFORMATION PACKET

Model No: 056T11F15521

Catalog No: K701A

XRI® General Purpose General Purpose Motor, 1 HP, 3 Ph, 60 Hz, 230/460 V, 1200 RPM, 56HC Frame, TEFC



Regal and Marathon are trademarks of Regal Rexnord Corporation or one of its affiliated companies.

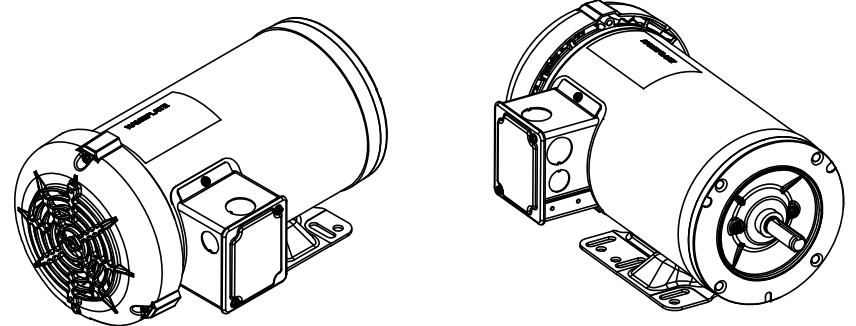
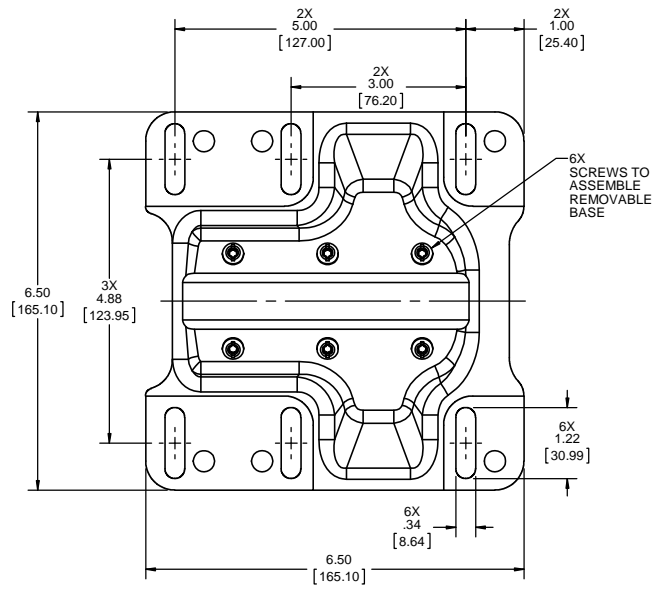
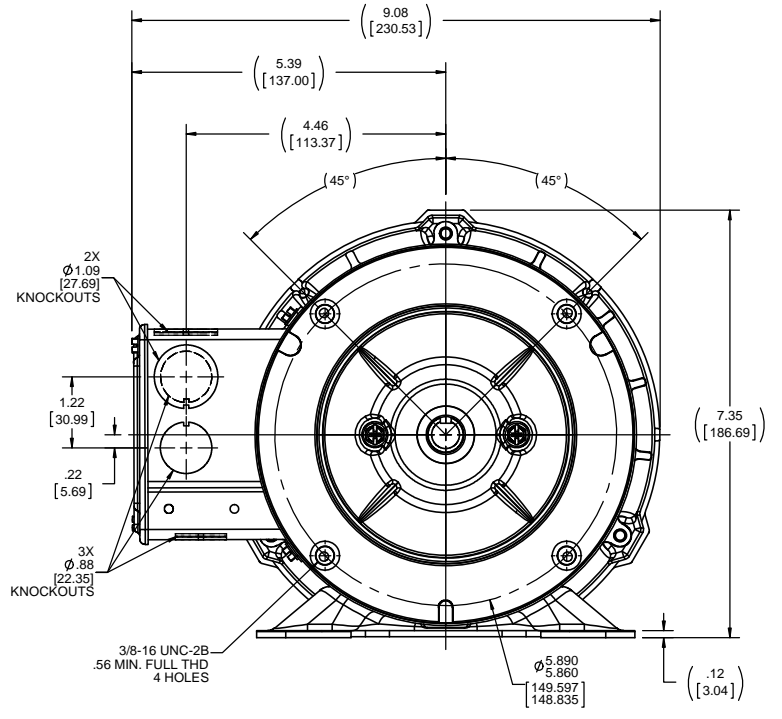
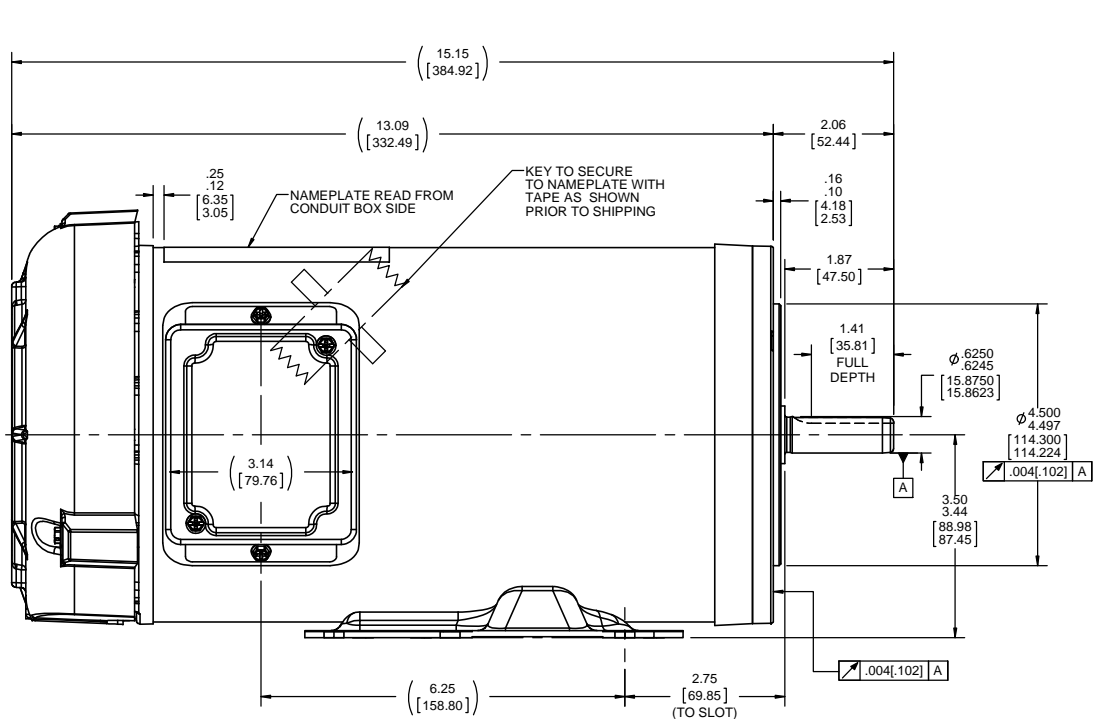
©2023 Regal Rexnord Corporation, All Rights Reserved. MC017097E

Nameplate Specifications

Output HP	1 Hp	Output KW	0.75 kW
Frequency	60 Hz	Voltage	230/460 V
Current	3.8/1.9 A	Speed	1140 rpm
Service Factor	1.15	Phase	3
Efficiency	82.5 %	Power Factor	60
Duty	Continuous	Insulation Class	F
Design Code	B	KVA Code	L
Frame	56HC	Enclosure	Totally Enclosed Fan Cooled
Thermal Protection	No Protection	Ambient Temperature	40 °C
Drive End Bearing Size	6205	Opp Drive End Bearing Size	6203
UL	Recognized	CSA	Y
CE	Y	IP Code	43
Number of Speeds	1		

Technical Specifications

Electrical Type	Squirrel Cage Induction Run	Starting Method	Across The Line
Poles	6	Rotation	Reversible
Resistance Main	0 Ohms	Mounting	Bolt-on Base
Motor Orientation	Horizontal Or Up Or Down	Drive End Bearing	Ball
Opp Drive End Bearing	Ball	Frame Material	Rolled Steel
Shaft Type	NEMA 56	Overall Length	15.15 in
Frame Length	9.65 in	Shaft Diameter	0.625 in
Shaft Extension	1.87 in	Assembly/Box Mounting	F1 ONLY
Connection Drawing	CDTD127	Outline Drawing	OL56100250-001



DRAWING REVISION A		REVISION BY	DATE	TOLERANCES UNLESS OTHERWISE SPECIFIED:		DRAWN BY D.VALENCIANO	Regal Beloit America, Inc.
ECO	ECO-0123467	APPROVED BY	DATE	DEC.	INCH mm ANGLE	DATE	
ECO DESCRIPTION		SEE ECO		.X	+0.1 [-0.5]	05-10-2017	DESCRIPTION OUTLINE 56H FR, TEFC, C-FACE, RIGID
				.XX	+0.02 [-0.127]	APPROVED BY M.RAMIREZ	
				.XXX	+0.005 [-0.127]	DATE	MATERIAL
				.XXXX	+0.0005 [-0.0127]	05-10-2017	PROCESS/FINISH
				REMOVE BURRS & BREAK SHARP EDGES: .0031 [0.0762] X 45°		REFERENCE	
				CORNER FILLETS: R.02 [51]		SIZE	DRAWING NUMBER
				MACHINED SURFACES: 125 /mm 3/2		THIRD ANGLE PROJECTION	OL56100250-001
				mm SHOWN IN [BRACKETS]			SHEET 1 OF 1

4

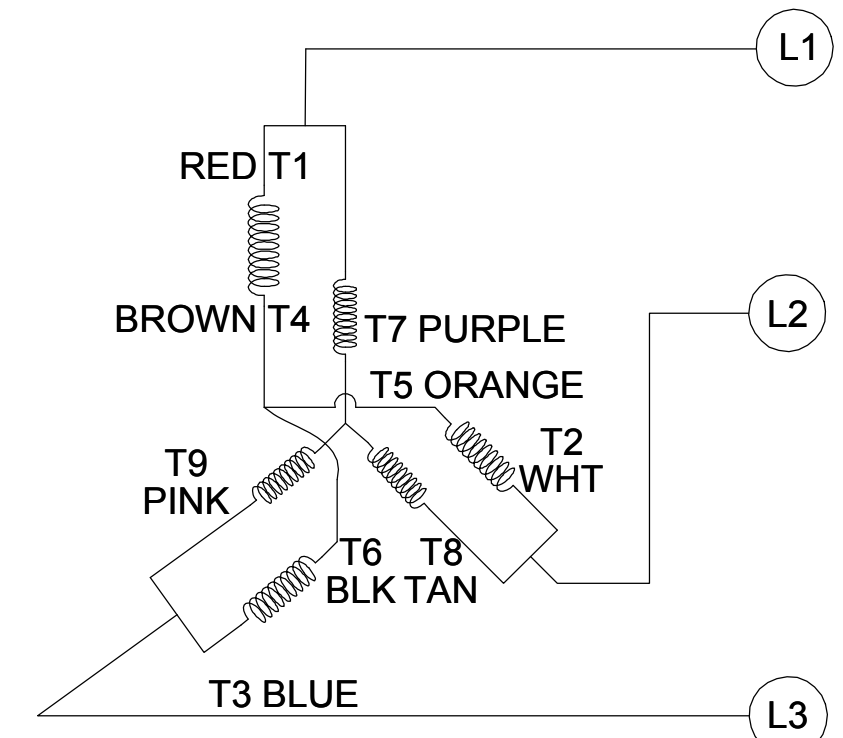
3

2

1

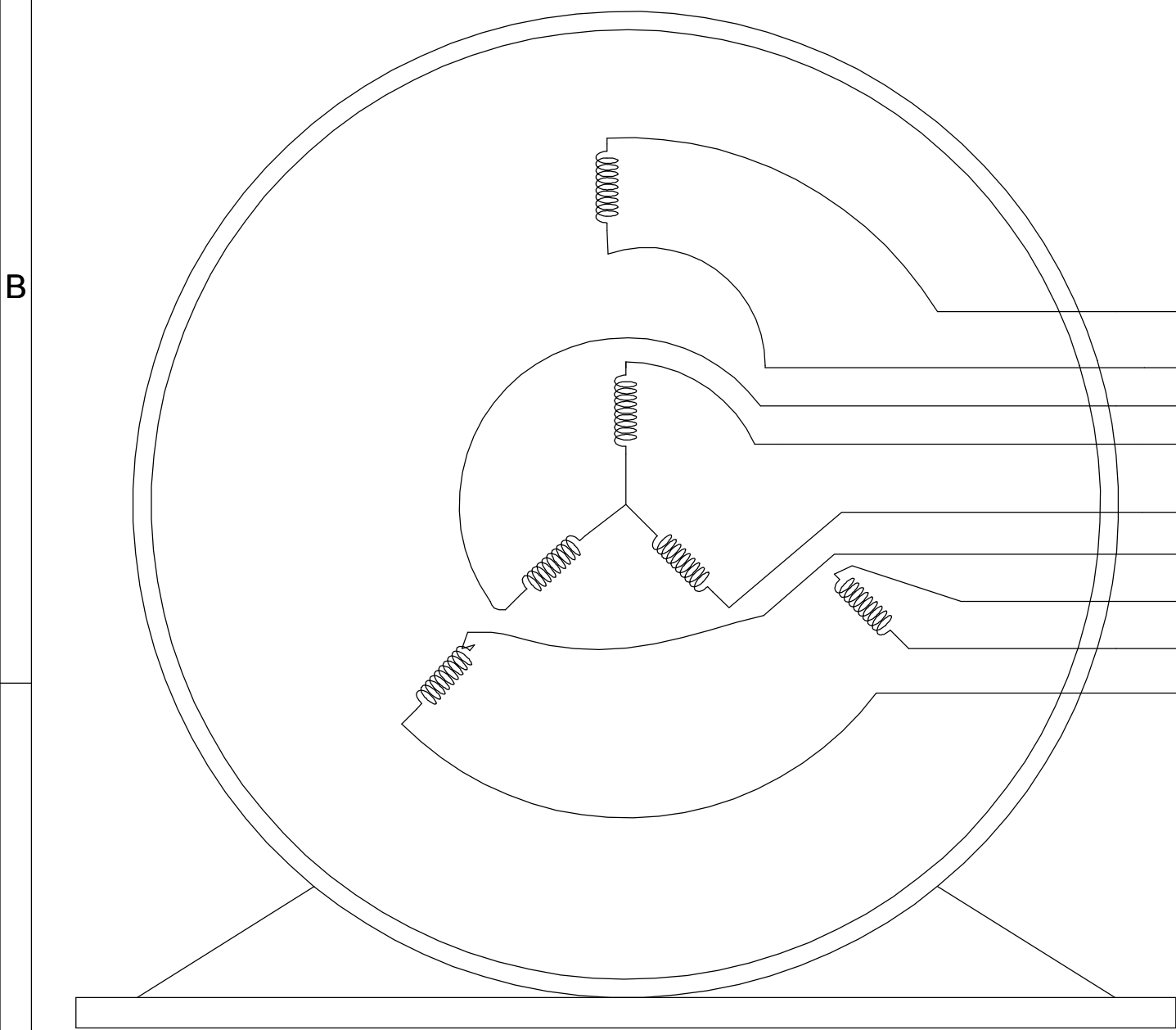
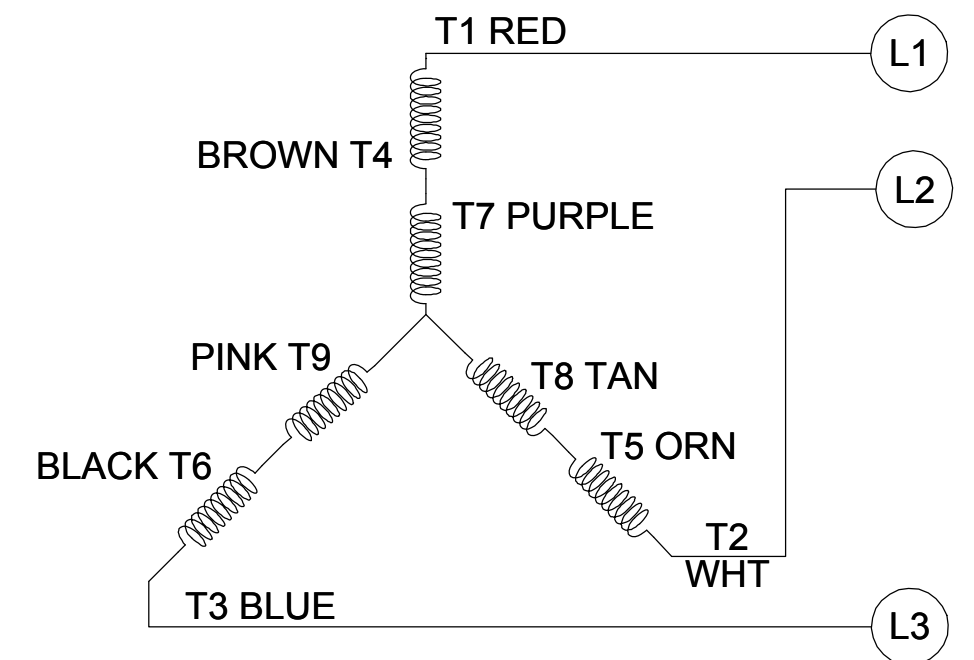
001

CCW LOW VOLTAGE



002

CCW HIGH VOLTAGE



- T1 RED
- T4 BROWN
- T9 PINK
- T7 PURPLE
- T8 TAN
- T6 BLACK
- T5 ORANGE
- T2 WHITE
- T3 BLUE

VIEW OF TERMINAL END

NOTE:

1. TO REVERSE ROTATION, INTERCHANGE ANY TWO LINE CONNECTIONS TO L1, L2, OR L3.
2. CONNECTION DIAGRAM-NAMEPLATE DD10123-001 - CCWLE DD10199-001 - CWLE

DRAWING REVISION D	REVISION BY SHESHI	DATE 01/11/2019
ECO ECO-0159881	APPROVED BY CD	DATE 01/11/2019
ECO DESCRIPTION ADDED DD10199-001		
<small>COPYRIGHT REGAL BELOIT AMERICA, INC. ALL RIGHTS RESERVED. PROPRIETARY AND CONFIDENTIAL INFORMATION - THIS DOCUMENT IS THE PROPERTY OF REGAL BELOIT AMERICA, INC. ("OWNER") AND CONTAINS OWNER'S PROPRIETARY INFORMATION. ANY PERSON, CORPORATION OR OTHER FIRM RECEIVING IT IS DEEMED, BY RECEIVING IT, TO AGREE THAT IT, AND/OR ANY PART OF IT, SHALL NOT BE DISCLOSED TO ANY PERSON, CORPORATION OR OTHER ENTITY, DUPLICATED, AND/OR USED, EXCEPT AS EXPRESSLY APPROVED IN WRITING IN ADVANCE BY OWNER. THIS DOCUMENT SHALL BE RETURNED TO OWNER UPON REQUEST. IT MAY BE SUBJECT TO CERTAIN RESTRICTIONS UNDER APPLICABLE EXPORT CONTROL LAWS AND REGULATIONS.</small>		

TOLERANCES UNLESS OTHERWISE SPECIFIED:		
DEC.	INCH	mm
.X	±0.1	[±2.5]
.XX	±0.01	[±0.25]
.XXX	±0.005	[±0.127]
.XXXX	±0.0005	[±0.0127]
REMOVE BURRS & BREAK SHARP EDGES: .003/.015 [.076/.381] CORNER FILLETS: .02 [.51] MACHINED SURFACES: 125 INCH 3.2 mm SHOWN IN [BRACKETS]		

DRAWN BY G. RODRIGUEZ
DATE 12-01-2017
APPROVED BY J. A. MORENO
DATE 12-01-2017
REFERENCE CDTD103
THIRD ANGLE PROJECTION

REGAL ™ Regal Beloit America, Inc.	
DESCRIPTION CONN DIAGRAM-EXTERNAL	
MATERIAL	PROCESS/FINISH
SIZE B	DRAWING NUMBER CDTD127
SHEET 1 OF 1	

4

3

2

1

CERTIFICATION DATA SHEET

Model#: 56T11F15521 A
CONN. DIAGRAM: CDTD103
OUTLINE: OL56100003-003

WINDING#: ZT6139 FR 3
ASSEMBLY: F1 ONLY

TYPICAL MOTOR PERFORMANCE DATA

HP	KW	SYNC. RPM	F.L. RPM	FRAME	ENCLOSURE	KVA CODE	DESIGN
1&3/4	.75&.56	1200	1140&950	56HC	TEFC	L	B

PH	Hz	VOLTS	FL AMPS	START TYPE	DUTY	INSL	S.F	AMB°C	ELEVATION
3	60/50	230/460#190/ 380	3.8/1.9&3.6/1. 8	ACROSS THE LINE	CONTINUOU S	F3	1.15/1.15	40	3300

FULL LOAD EFF: 82.5&80	3/4 LOAD EFF: 81.5	1/2 LOAD EFF: 78.5	GTD. EFF	ELEC. TYPE	NO LOAD AMPS
FULL LOAD PF: 60&58	3/4 LOAD PF: 50	1/2 LOAD PF: 38	80	SQ CAGE IND RUN	2.8 / 1.4

F.L. TORQUE	LOCKED ROTOR AMPS	L.R. TORQUE	B.D. TORQUE	F.L. RISE°C
4.5 LB-FT	23.6 / 11.8	13.1 LB-FT 291	18.4 LB-FT 409	40

SOUND PRESSURE @ 3 FT.	SOUND POWER	ROTOR WK^2	MAX. WK^2	SAFE STALL TIME	STARTS /HOUR	APPROX. MOTOR WGT
62 dBA	72 dBA	0.14 LB-FT^2	0 LB-FT^2	20 SEC.	0	50 LBS.

***** SUPPLEMENTAL INFORMATION *****

DE BRACKET TYPE	ODE BRACKET TYPE	MOUNT TYPE	ORIENTATION	SEVERE DUTY	HAZARDOUS LOCATION	DRIP COVER	SCREENS	PAINT
C-FACE	BRAKE	BOLT-ON	HORIZONTAL OR UP OR DOWN	FALSE	NONE	PROVISIONS ONLY	NONE	GRAY (POWDER)

BEARINGS		GREASE	SHAFT TYPE	SPECIAL DE	SPECIAL ODE	SHAFT MATERIAL	FRAME MATERIAL
DE	OPE						
BALL	BALL	POLYREX EM	T	NONE	NONE	AISI 1215 (MS1000)	ROLLED STEEL
6205	6203						

THERMO-PROTECTORS				THERMISTORS	CONTROL	SPACE /n HEATERS
THERMOSTATS	PROTECTORS	WDG RTDs	BRG RTDs			
NONE	NOT	NONE	NONE	NONE	FALSE	NONE VOLTS

If Inverter equals NONE, contact factory for further information

INVERTER TORQUE: NONE
INV. HP SPEED RANGE: NONE
ENCODER: NONE
NONE NONE
NONE NONE PPR
BRAKE: PROVISIONS FOR KIT NONE
STEARNS P/N NONE
56,000 NONE
10 FT-LB NONE V NONE Hz

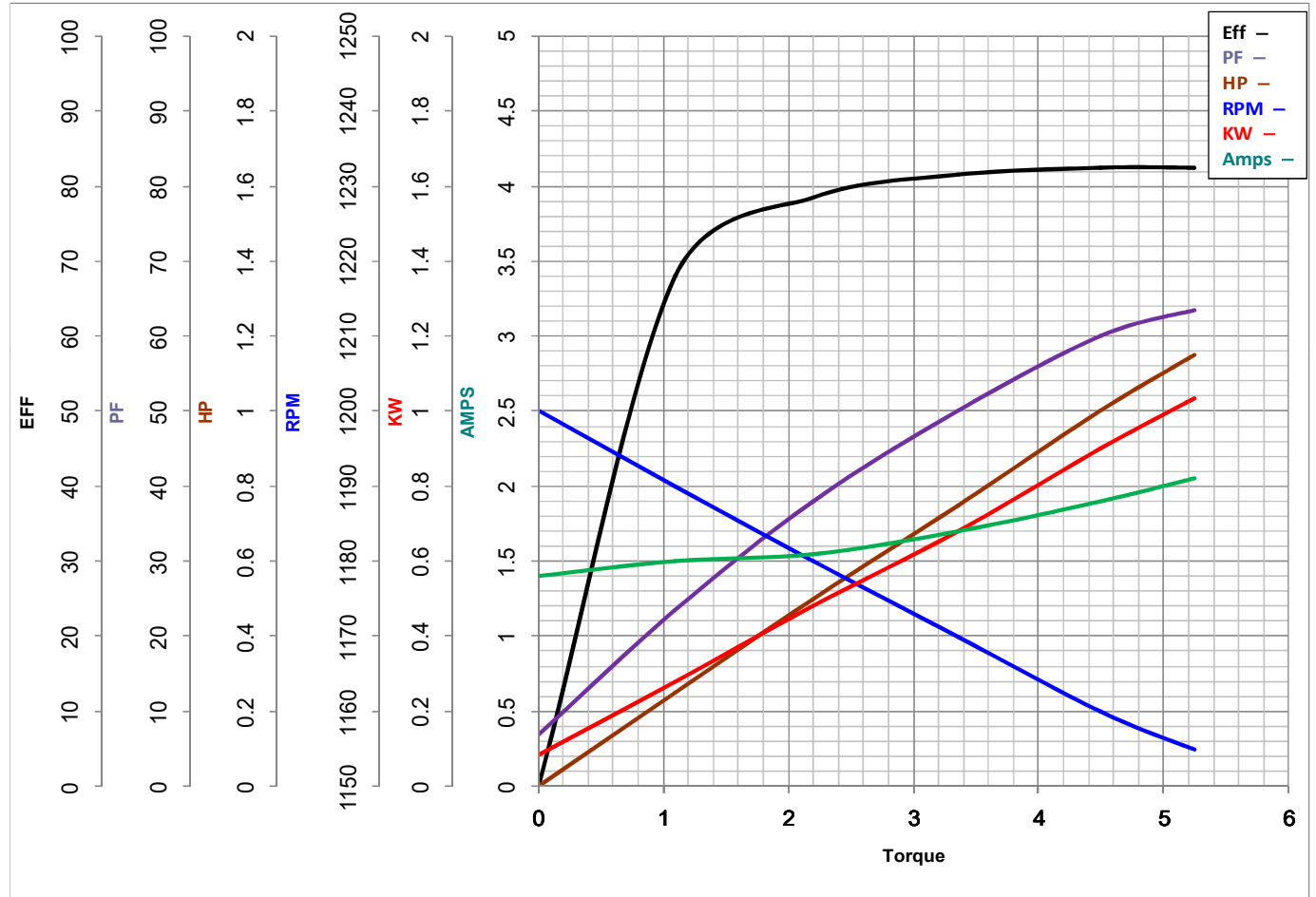
*
N
O
T
E
S
*

DATE: 06/28/2017 02:30:20 AM
 FORM 3531 REV.3 02/07/99
 ** Subject to change without notice.



MARATHON ELECTRIC CORPORATION
TYPICAL PERFORMANCE CURVE for AC MOTOR

Customer _____ Curve at 460 Volts HP 1&0.75 PHASE 3
 Model No 56T11F15521 60 HZ
1 HP VOLTS 230/460&190/380
 Catalog No K701A HZ 60&50 RPM 1140&950



Torque in Lb.Ft

FL TORQUE	<u>4.5</u>	Lb.Ft	FL AMPS	<u>3.8/1.9</u>	
BD TORQUE	<u>18.4</u>	Lb.Ft	PU TORQUE	<u>11.8</u>	Lb.Ft
LR TORQUE	<u>13.1</u>	Lb.Ft	LR AMPS	<u>11.8</u>	
WINDING	ZT6139-3		Date	<u>1/23/2019</u>	

EC Declaration of Conformity

The undersigned representing
the manufacturer:

Regal Beloit America
100 East Randolph St.
Wausau, WI 54401

and the authorized representative
established within the Community:

Marathon Electric UK
6F Thistleton Road Ind. Estate
Market Overton
Oakham, Rutland LE15 7PP UK

are committed to providing customers with products that comply with applicable regulations and international protocols to which they are subject, including the requirements of the European Parliament Directive on the Harmonization of the laws relating to electrical equipment designed for use within certain voltage limits (2014/35/EU).

Regal Beloit America declares that the following product(s), to which this declaration relates, are in conformity with the relevant sections of the EC standards listed below.

This statement supersedes any statements previously issued pertaining to the product(s) listed below and is subject to change without notice.

Model No : 056T11F15521

(Model No. may contain prefix and/or suffix characters)

Catalog No : K701A

Rework No : N/A

Directives :

Low Voltage Directive 2014/35/EU

Harmonized Standards Used :

EN 60034-1: 2010 (IEC 60034-1: 2010)

EN 60034-5: 2001/A1:2007 (IEC 60034-5: 2000/A1:2006)

Authorized Representative:



Michael A. Logsdon
Vice President, Technology

Authorized Representative in the Community:



Julian Clark
Marketing Engineer

Created on 09/01/2022

CE 22