

PRODUCT INFORMATION PACKET

Model No: 056T34F99020

Catalog No: K721A

XRI® General Purpose General Purpose Motor, 1.50 HP, 3 Ph, 60 Hz, 575 V, 3600 RPM, 56C Frame, TEFC



Regal and Marathon are trademarks of Regal Rexnord Corporation or one of its affiliated companies.

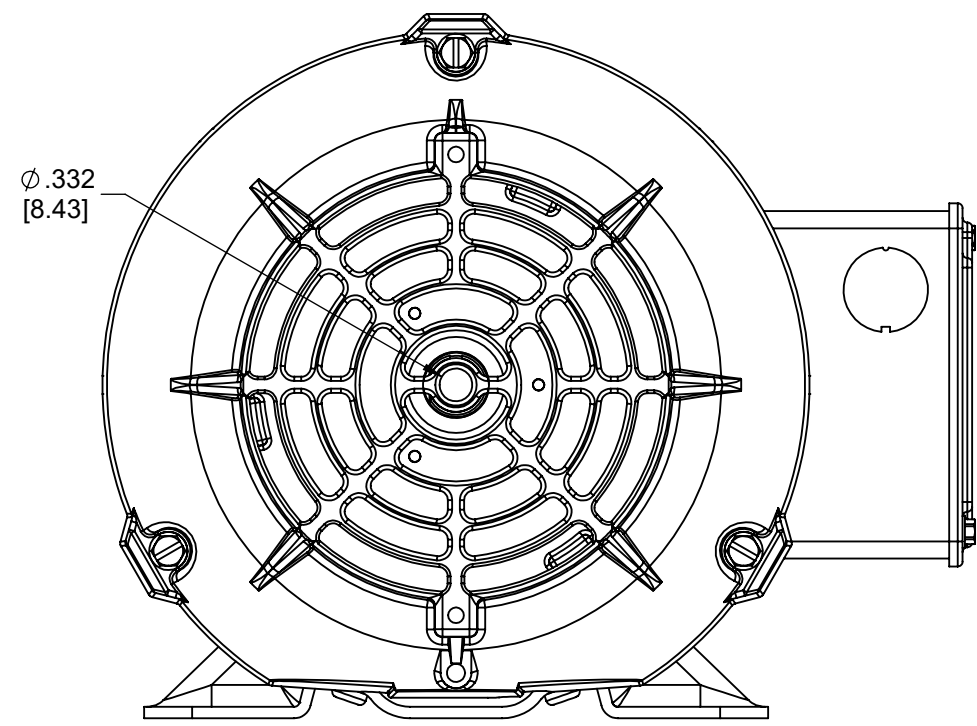
©2022 Regal Rexnord Corporation, All Rights Reserved. MC017097E

Nameplate Specifications

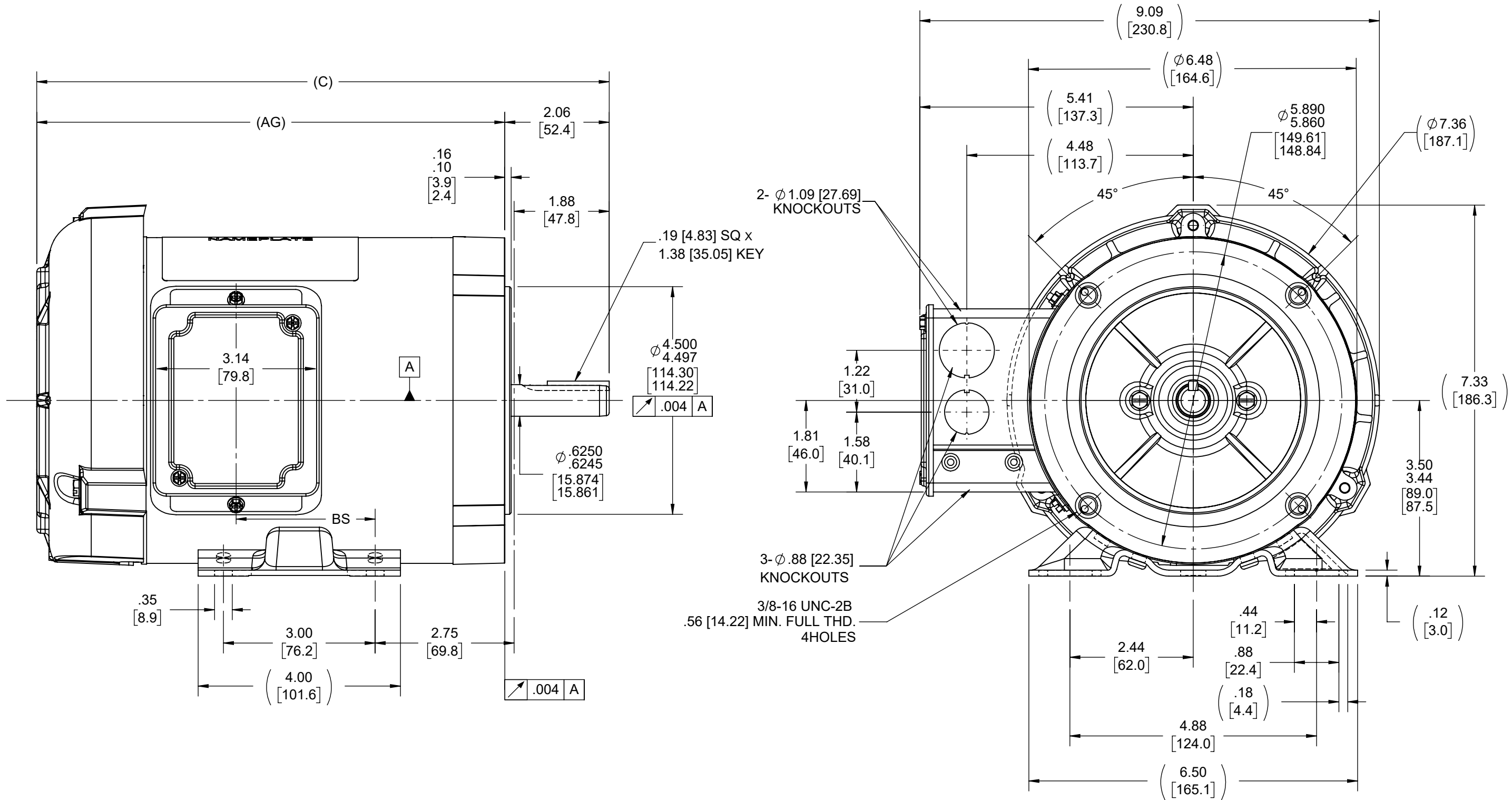
| | | | |
|------------------------|----------------------|----------------------------|------------------------------------|
| Output HP | 1.50 Hp | Output KW | 1.1 kW |
| Frequency | 60 Hz | Voltage | 575 V |
| Current | 1.6 A | Speed | 3450 rpm |
| Service Factor | 1.15 | Phase | 3 |
| Efficiency | 84 % | Power Factor | 83.5 |
| Duty | Continuous | Insulation Class | F |
| Design Code | B | KVA Code | M |
| Frame | 56C | Enclosure | Totally Enclosed Fan Cooled |
| Thermal Protection | No Protection | Ambient Temperature | 40 °C |
| Drive End Bearing Size | 6203 | Opp Drive End Bearing Size | 6203 |
| UL | Recognized | CSA | Y |
| CE | Y | IP Code | 43 |
| Number of Speeds | 1 | | |

Technical Specifications

| | | | |
|-----------------------|------------------------------------|-----------------------|------------------------|
| Electrical Type | Squirrel Cage Induction Run | Starting Method | Across The Line |
| Poles | 2 | Rotation | Reversible |
| Resistance Main | 9.27 Ohms | Mounting | Bolt-on Base |
| Motor Orientation | Horizontal Or Up Or Down | Drive End Bearing | Ball |
| Opp Drive End Bearing | Ball | Frame Material | Rolled Steel |
| Shaft Type | T | Overall Length | 13.31 in |
| Frame Length | 8.06 in | Shaft Diameter | 0.625 in |
| Shaft Extension | 2.06 in | Assembly/Box Mounting | F1 ONLY |
| Connection Drawing | EE7300 | Outline Drawing | A-100141-806 |



TERM. END



- NOTE :-
 1. CONDUIT BOX CAN BE ROTATED 180° STEP.
 2. REMOVABLE BASE.
 3. NAMEPLATE READ FROM CONDUIT BOX SIDE.

| DASH | C | AG | BS |
|------|---------------|----------------|---------------|
| 606 | 11.31[287.27] | 9.25 [234.95] | 2.75 [69.85] |
| 656 | 11.81[299.97] | 9.75 [247.65] | 3.25 [82.55] |
| 706 | 12.31[312.67] | 10.25 [260.35] | 3.75 [95.25] |
| 756 | 12.81[325.37] | 10.75 [273.05] | 4.25 [107.95] |
| 806 | 13.31[338.07] | 11.25 [285.75] | 4.75 [120.65] |
| 856 | 13.81[350.77] | 11.75 [298.45] | 5.25 [133.35] |

| | | | | | |
|---|-----------------------|----------------------------|--|-----------------------|----------------------------|
| DRAWING REVISION N | REVISION BY A.ARREOLA | REV DATE/@ DATE 12/09/2022 | TOLERANCES (EXCEPT AS NOTED): DEC. INCH mm ANGLE | DRAWN BY BLR | Regal Beloit America, Inc. |
| REQUEST NUMBER | APPROVED BY A.ARREOLA | DATE 12/09/2022 | .X ±0.1 [±3] ±7° 30" .XX ±0.03 [±0.8] .XXX ±0.005 [±0.13] .XXXX ±0.0005 [±0.013] | DATE 05-27-1997 | |
| REQUEST NUMBER DESCRIPTION | | | REMOVE BURRS & BREAK SHARP EDGES: .003/.015 [.08/.38] X 45° CORNER FILLETS: R.02 [.5] MACHINED SURFACES: 200 INCH/mm 5.1 mm DIMENSIONS IN [BRACKETS] ARE FOR REFERENCE ONLY | APPROVED BY GK | DESCRIPTION |
| <small>COPYRIGHT (PER REVISION DATE) REGAL BELOIT AMERICA, INC. ALL RIGHTS RESERVED. PROPRIETARY AND CONFIDENTIAL INFORMATION - THIS DOCUMENT IS THE PROPERTY OF REGAL BELOIT AMERICA, INC. ("OWNER") AND CONTAINS OWNER'S PROPRIETARY INFORMATION. ANY PERSON, CORPORATION OR OTHER FIRM RECEIVING IT IS DEEMED, BY RECEIVING IT, TO AGREE THAT IT, AND/OR ANY PART OF IT, SHALL NOT BE DISCLOSED TO ANY PERSON, CORPORATION OR OTHER ENTITY, DUPLICATED, AND/OR USED, EXCEPT AS EXPRESSLY APPROVED IN WRITING IN ADVANCE BY OWNER. THIS DOCUMENT SHALL BE RETURNED TO OWNER UPON REQUEST. IT MAY BE SUBJECT TO CERTAIN RESTRICTIONS UNDER APPLICABLE EXPORT CONTROL LAWS AND REGULATIONS.</small> | | | DATE 05-27-1997 | REFERENCE 100141 | MATERIAL |
| | | | THIRD ANGLE PROJECTION | SIZE C | PROCESS/FINISH |
| | | | | DRAWING NUMBER 100141 | SHEET 1 OF 1 |

THREE PHASE - SINGLE VOLTAGE
MOTOR - CONDUIT BOX @ 'A'

TERMINAL BLOCK WHEN SPECIFIED

TO REVERSE ROTATION:
INTERCHANGE ANY TWO LINE
LEAD CONNECTIONS



VIEW OF TERMINAL END

OPTIONAL CORD CONNECTION

| | |
|----|-------|
| L1 | WHITE |
| L2 | RED |
| L3 | BLACK |

| | | |
|---|-------------------|-------------------------------|
| DRAWING REVISION AC | REVISION BY BS | REV DATE/© DATE 26/07/2022 |
| REQUEST NUMBER CR-0010402 | APPROVED BY SN | DATE 26/07/2022 |
| REQUEST NUMBER DESCRIPTION DRAWING UPDATED | | |
| <small>COPYRIGHT (PER REVISION DATE) REGAL BELOIT AMERICA, INC. ALL RIGHTS RESERVED. PROPRIETARY AND CONFIDENTIAL INFORMATION - THIS DOCUMENT IS THE PROPERTY OF REGAL BELOIT AMERICA, INC. ("OWNER") AND CONTAINS OWNER'S PROPRIETARY INFORMATION. ANY PERSON, CORPORATION OR OTHER FIRM RECEIVING IT IS DEEMED, BY RECEIVING IT, TO AGREE THAT IT, AND/OR ANY PART OF IT, SHALL NOT BE DISCLOSED TO ANY PERSON, CORPORATION OR OTHER ENTITY, DUPLICATED, AND/OR USED, EXCEPT AS EXPRESSLY APPROVED IN WRITING IN ADVANCE BY OWNER. THIS DOCUMENT SHALL BE RETURNED TO OWNER UPON REQUEST. IT MAY BE SUBJECT TO CERTAIN RESTRICTIONS UNDER APPLICABLE EXPORT CONTROL LAWS AND REGULATIONS.</small> | | |

PRIMARY DIMENSIONS ARE INCH
mm DIMENSIONS IN [BRACKETS]
ARE FOR REFERENCE ONLY

| |
|------------------------|
| DRAWN BY DA |
| DATE 03-26-1993 |
| APPROVED BY TB |
| DATE 03-26-1993 |
| REFERENCE |
| THIRD ANGLE PROJECTION |

| | | | |
|--|---------------------------------|----------------------------|-----------------|
| | | Regal Beloit America, Inc. | |
| DESCRIPTION CONNECTION DIAGRAM EXTERNAL - SINGLE VOLTAGE - 3Ø MOTOR | | | |
| MATERIAL | | PROCESS/FINISH | |
| SIZE A | DRAWING NUMBER EE7300 | | SHEET 1 OF 1 |

CERTIFICATION DATA SHEET

Model#: 56T34F99020 A **WINDING#:** ZT2141 R1 2
CONN. DIAGRAM: EE7300 **ASSEMBLY:** F1 ONLY
OUTLINE: A-100141-806

TYPICAL MOTOR PERFORMANCE DATA

| HP | KW | SYNC. RPM | F.L. RPM | FRAME | ENCLOSURE | KVA CODE | DESIGN |
|-------|------|-----------|----------|-------|-----------|----------|--------|
| 1 1/2 | 1.12 | 3600 | 3450 | 56C | TEFC | M | B |

| PH | Hz | VOLTS | FL AMPS | START TYPE | DUTY | INSL | S.F | AMB°C | ELEVATION |
|----|----|-------|---------|-----------------|------------|------|------|-------|-----------|
| 3 | 60 | 575 | 1.6 | ACROSS THE LINE | CONTINUOUS | F3 | 1.15 | 40 | 3300 |

| FULL LOAD EFF: 84 | 3/4 LOAD EFF: 84.8 | 1/2 LOAD EFF: 82.3 | GTD. EFF | ELEC. TYPE | NO LOAD AMPS |
|--------------------|--------------------|--------------------|----------|-----------------|--------------|
| FULL LOAD PF: 83.5 | 3/4 LOAD PF: 77.8 | 1/2 LOAD PF: 67.2 | 82.5 | SQ CAGE IND RUN | .7 |

| F.L. TORQUE | LOCKED ROTOR AMPS | L.R. TORQUE | B.D. TORQUE | F.L. RISE°C |
|-------------|-------------------|---------------|---------------|-------------|
| 2.2 LB-FT | 15.5 | 7.3 LB-FT 332 | 9.6 LB-FT 435 | 38 |

| SOUND PRESSURE @ 3 FT. | SOUND POWER | ROTOR WK^2 | MAX. WK^2 | SAFE STALL TIME | STARTS / HOUR | APPROX. MOTOR WGT |
|------------------------|-------------|---------------|-----------|-----------------|---------------|-------------------|
| 69 dBA | 79 dBA | 0.045 LB-FT^2 | 3 LB-FT^2 | 20 SEC. | 2 | 55 LBS. |

***** SUPPLEMENTAL INFORMATION *****

| DE BRACKET TYPE | ODE BRACKET TYPE | MOUNT TYPE | ORIENTATION | SEVERE DUTY | HAZARDOUS LOCATION | DRIP COVER | SCREENS | PAINT |
|-----------------|------------------|------------|--------------------------|-------------|--------------------|-----------------|---------|---------------|
| C-FACE | BRAKE | BOLT-ON | HORIZONTAL OR UP OR DOWN | FALSE | NONE | PROVISIONS ONLY | NONE | GRAY (POWDER) |

| BEARINGS | | GREASE | SHAFT TYPE | SPECIAL DE | SPECIAL ODE | SHAFT MATERIAL | FRAME MATERIAL |
|----------|------|------------|------------|------------|-------------|--------------------------|----------------|
| DE | OPE | | | | | | |
| BALL | BALL | POLYREX EM | T | NONE | NONE | 1144 STRESSPROOF (C-223) | ROLLED STEEL |
| 6203 | 6203 | | | | | | |

| THERMO-PROTECTORS | | | | THERMISTORS | CONTROL | SPACE /n HEATERS |
|-------------------|------------|----------|----------|-------------|---------|------------------|
| THERMOSTATS | PROTECTORS | WDG RTDs | BRG RTDs | | | |
| NONE | NOT | NONE | NONE | NONE | FALSE | NONE VOLTS |

If Inverter equals NONE, contact factory for further information

*
N
O
T
E
S
*

| |
|--------------------------------|
| INVERTER TORQUE: NONE |
| INV. HP SPEED RANGE: NONE |
| ENCODER: NONE |
| NONE NONE |
| NONE NONE PPR |
| BRAKE: PROVISIONS FOR KIT NONE |
| NONE P/N NONE |
| NONE NONE |
| NONE FT-LB NONE V NONE Hz |

DATE: 06/28/2017 02:11:47 AM
 FORM 3531 REV.3 02/07/99

** Subject to change without notice.

Data Sheet

Date: 1/3/2019
 Customer: _____
 Attention: _____
 Submitted by: FAREEDA DUDEKULA



56T34F99020

Submittal

Data @ 575 V

Motor Load Data

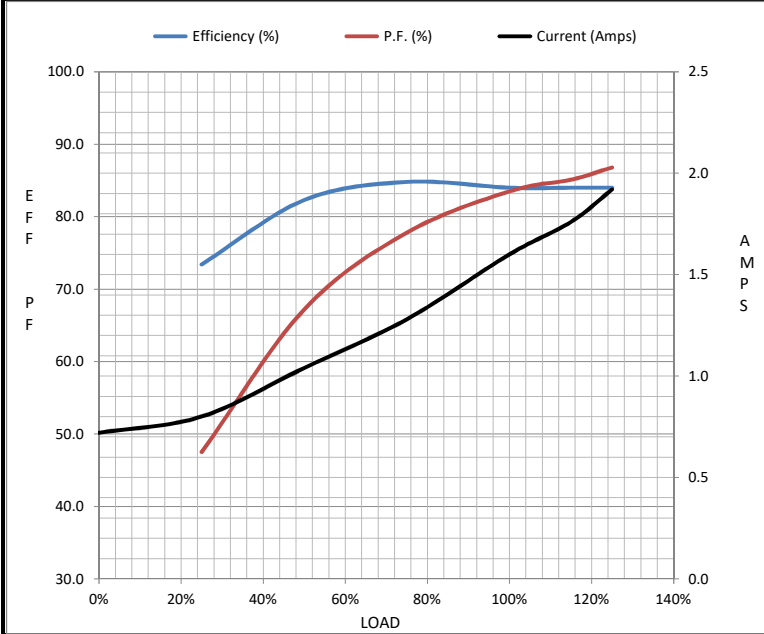
| Load | 0% | 25% | 50% | 75% | 100% | 115% | 125% | LR |
|----------------|------|------|------|------|------|-------|------|------|
| Current (Amps) | 0.72 | 0.80 | 1.04 | 1.28 | 1.60 | 1.76 | 1.92 | 15.5 |
| Torque (ft-lb) | 0.00 | 0.60 | 1.10 | 1.70 | 2.20 | 2.60 | 2.80 | 7.3 |
| RPM | 3600 | 3575 | 3555 | 3535 | 3515 | 3,500 | 3485 | 0 |
| Efficiency (%) | | 73.4 | 82.3 | 84.8 | 84.0 | 84.0 | 84.0 | |
| P.F. (%) | 17.0 | 47.5 | 67.2 | 77.8 | 83.5 | 85.1 | 86.8 | 58.0 |

Motor Speed Data

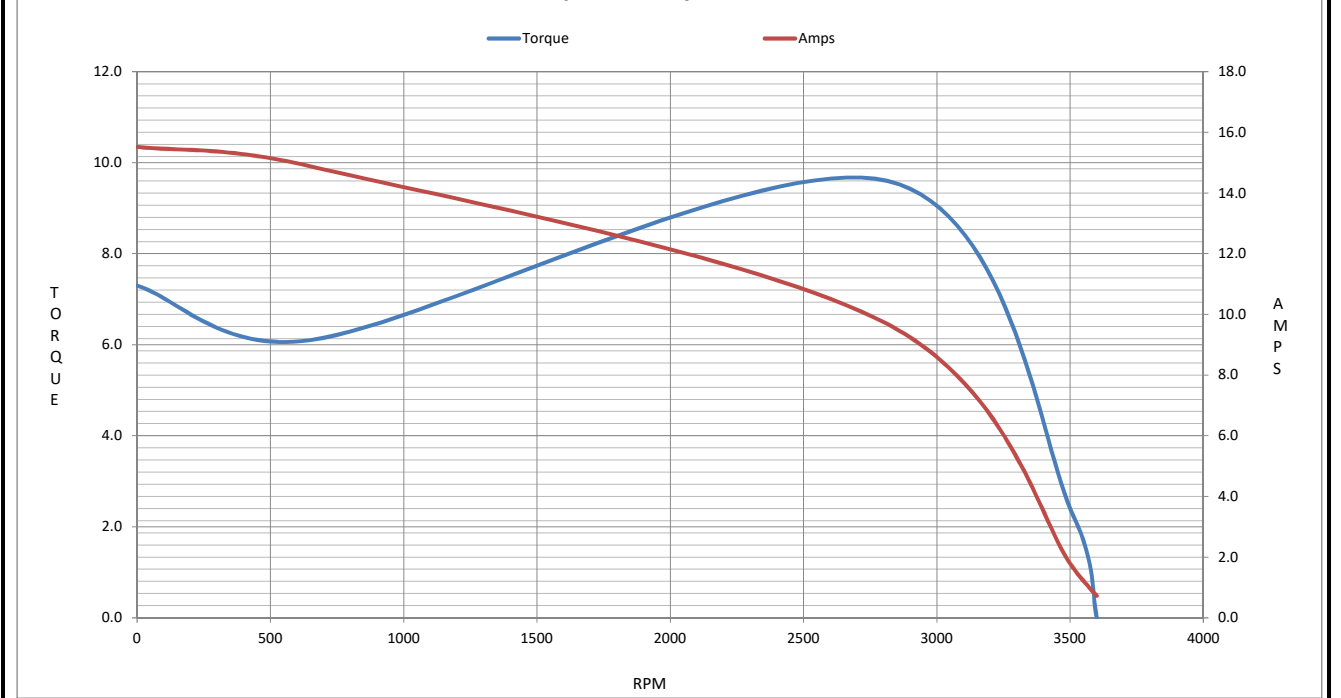
| | LR | Pull-Up | BD | Rated | Idle |
|----------------|------|---------|------|-------|------|
| Speed (RPM) | 0 | 650 | 2815 | 3515 | 3600 |
| Current (Amps) | 15.5 | 14.9 | 9.7 | 1.60 | 0.72 |
| Torque (ft-lb) | 7.3 | 6.1 | 9.6 | 2.20 | 0.00 |

Information Block

| | | | | |
|-----------------------------|-------------------------|--------|--------|----------|
| HP | 1.5 | | | |
| Sync. RPM | 3600 | | | |
| Frame | 56 | | | |
| Enclosure | TEFC | | | |
| Construction | TS | | | |
| Voltage | 575 V | | | |
| Frequency | 60 Hz | | | |
| Design | B | | | |
| LR Code letter | M | | | |
| Service Factor | 1.15 | | | |
| Temp Rise @ FL | 38 °C | | | |
| Duty | CONT | | | |
| Ambient | 40 °C | | | |
| Elevation | 3300 feet | | | |
| Rotor/Shaft wk ² | 0.05 Lb-Ft ² | | | |
| Ref Wdg | ZT2141 R1 | | | |
| Sound Pressure @ 1M | 69 dBA | | | |
| VFD Rating | NONE | | | |
| Outline Dwg | A-100141-806 | | | |
| Conn. Diag | EE7300 | | | |
| Additional Specifications: | | | | |
| 0 | | | | |
| 0 | | | | |
| EQUIV CKT (OHMS / PHASE) | | | | |
| R1 | R2 | X1 | X2 | Xm |
| 2.2170 | 1.4780 | 3.6210 | 3.3260 | 124.9020 |



Speed - Torque Curve



EC Declaration of Conformity

The undersigned representing
the manufacturer:

Regal Beloit America
100 East Randolph St.
Wausau, WI 54401

and the authorized representative
established within the Community:

Marathon Electric UK
6F Thistleton Road Ind. Estate
Market Overton
Oakham, Rutland LE15 7PP UK

are committed to providing customers with products that comply with applicable regulations and international protocols to which they are subject, including the requirements of the European Parliament Directive on the Harmonization of the laws relating to electrical equipment designed for use within certain voltage limits (2014/35/EU).

Regal Beloit America declares that the following product(s), to which this declaration relates, are in conformity with the relevant sections of the EC standards listed below.

This statement supersedes any statements previously issued pertaining to the product(s) listed below and is subject to change without notice.

Model No : 056T34F99020

(Model No. may contain prefix and/or suffix characters)

Catalog No : K721A

Rework No : N/A

Directives :

Low Voltage Directive 2014/35/EU

Harmonized Standards Used :

EN 60034-1: 2010 (IEC 60034-1: 2010)

EN 60034-5: 2001/A1:2007 (IEC 60034-5: 2000/A1:2006)

Authorized Representative:



Michael A. Logsdon
Vice President, Technology

Authorized Representative in the Community:



Julian Clark
Marketing Engineer

Created on 09/01/2022

CE 22