

PRODUCT INFORMATION PACKET

Model No: 056T17F15645

Catalog No: K722A

XRI® General Purpose General Purpose Motor, 1.50 HP, 3 Ph, 60 Hz, 575 V, 1800 RPM, 56HC Frame, TEFC



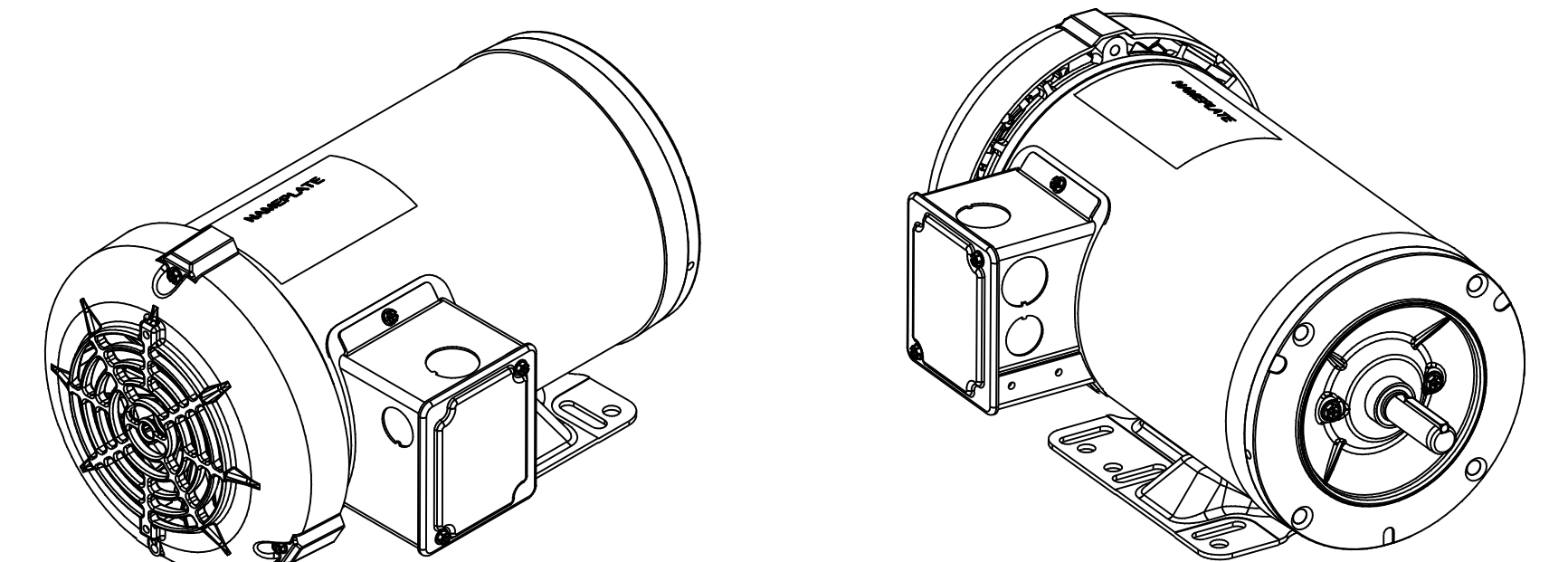
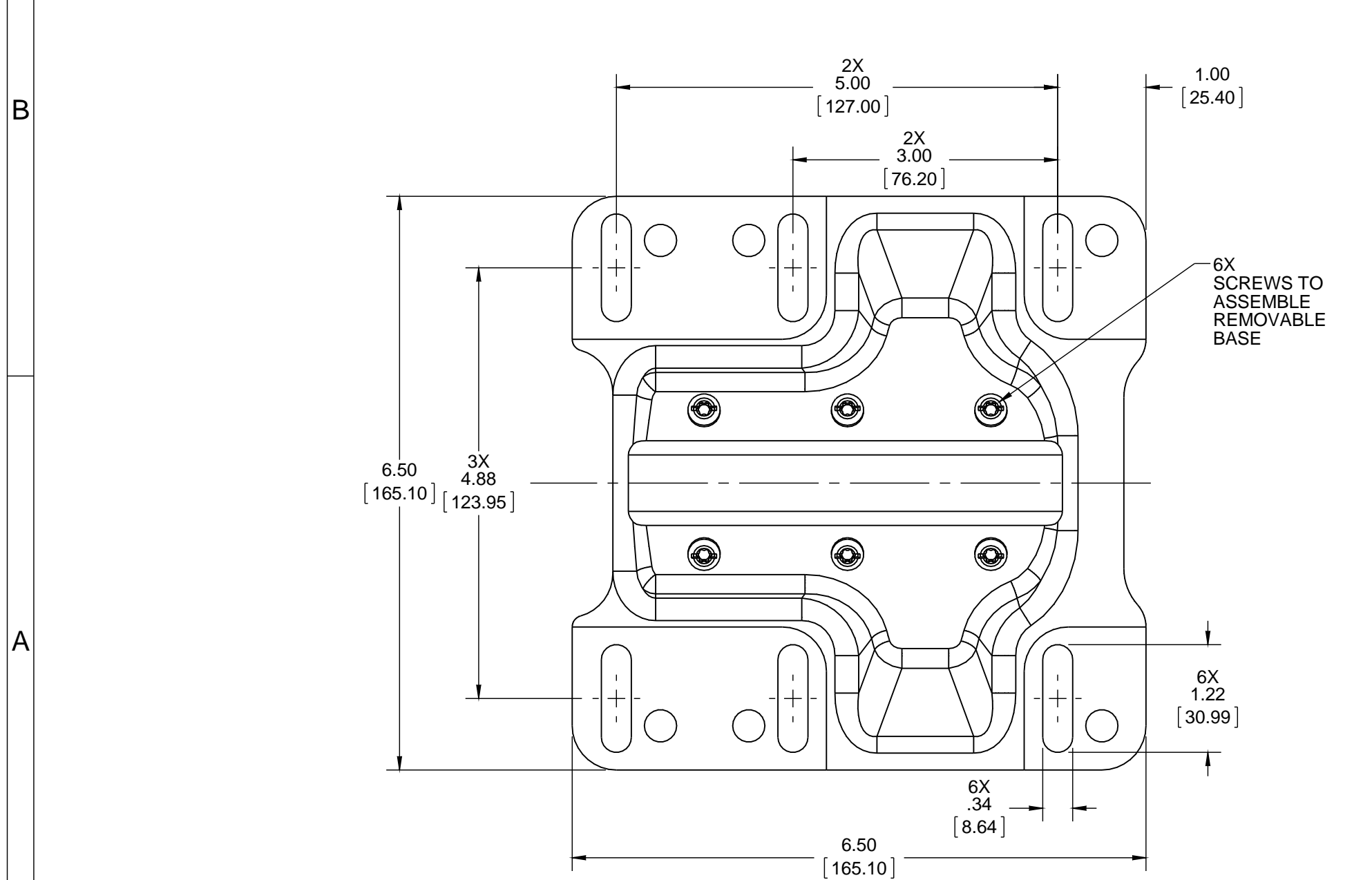
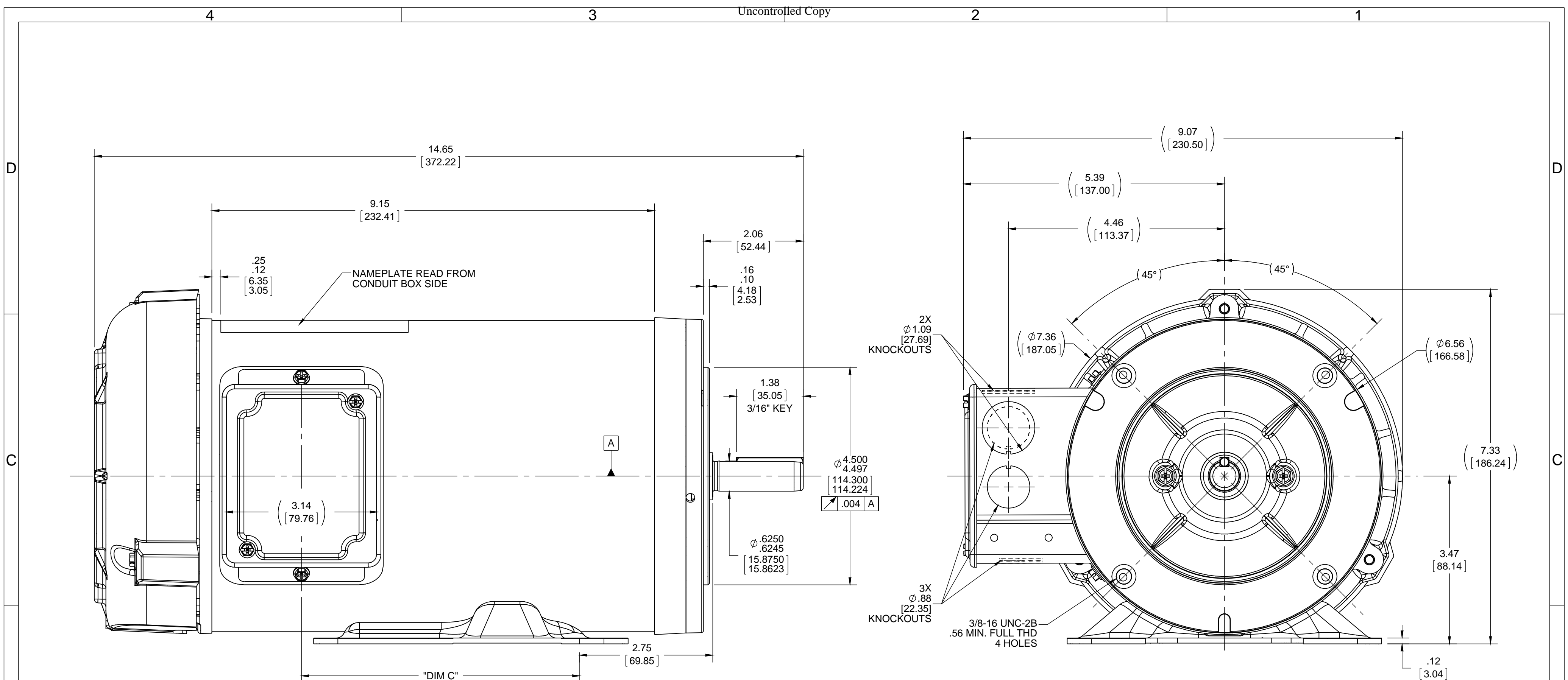
Regal and Marathon are trademarks of Regal Rexnord Corporation or one of its affiliated companies.
©2022 Regal Rexnord Corporation, All Rights Reserved. MC017097E

Nameplate Specifications

Output HP	1.50 Hp	Output KW	1.1 kW
Frequency	60 Hz	Voltage	575 V
Current	1.9 A	Speed	1725 rpm
Service Factor	1.15	Phase	3
Efficiency	86.5 %	Power Factor	71
Duty	Continuous	Insulation Class	F
Design Code	B	KVA Code	P
Frame	56HC	Enclosure	Totally Enclosed Fan Cooled
Thermal Protection	No Protection	Ambient Temperature	40 °C
Drive End Bearing Size	6205	Opp Drive End Bearing Size	6203
UL	Recognized	CSA	Y
CE	Y	IP Code	43
Number of Speeds	1		

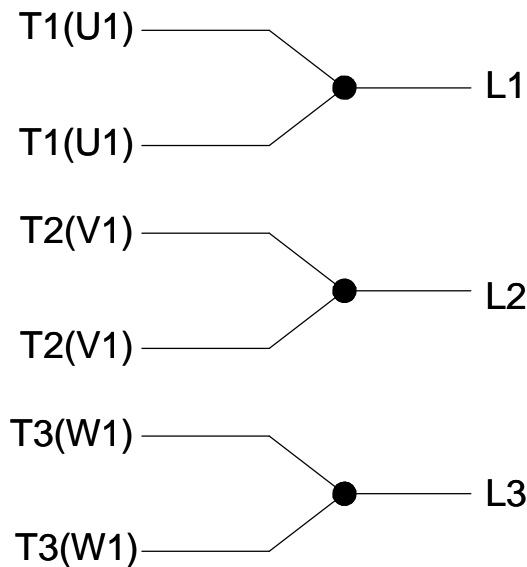
Technical Specifications

Electrical Type	Squirrel Cage Induction Run	Starting Method	Across The Line
Poles	4	Rotation	Reversible
Resistance Main	7.9 Ohms	Mounting	Bolt-on Base
Motor Orientation	Horizontal Or Up Or Down	Drive End Bearing	Ball
Opp Drive End Bearing	Ball	Frame Material	Rolled Steel
Shaft Type	NEMA 56	Overall Length	14.65 in
Shaft Diameter	0.625 in	Shaft Extension	1.88 in
Assembly/Box Mounting	F1 ONLY		
Connection Drawing	CDTS112	Outline Drawing	OL56100022-001



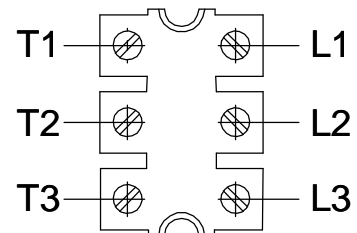
DRAWING REVISION B	REVISION BY E.VILLA	DATE 06-21-2016	TOLERANCES UNLESS OTHERWISE SPECIFIED: DEC. INCH mm ANGLE .X ±0.1 [±2.5] .XX ±0.02 [±0.51] .XXX ±0.005 [±0.127] .XXXX ±0.0005 [±0.0127] REMOVE BURRS & BREAK SHARP EDGES: .003/.015 [0.076/.381] X 45° CORNER FILLETS: R.02 [51] MACHINED SURFACES: 125/3.2 INCH/mm mm SHOWN IN [BRACKETS]	DRAWN BY J.M.RAMIREZ	REGAL™ Regal Beloit America, Inc.
ECO ECO-0104418	APPROVED BY J.ORTEGA	DATE 06-21-2016		DATE 02-05-2016	DESCRIPTION OUTLINE 56H FR,TEFC, C-FACE, RIGID
ECO DESCRIPTION NAMEPLATE ADDED				APPROVED BY	MATERIAL
<small>COPYRIGHT REGAL BELOIT AMERICA, INC. ALL RIGHTS RESERVED. PROPRIETARY AND CONFIDENTIAL INFORMATION - THIS DOCUMENT IS THE PROPERTY OF REGAL BELOIT AMERICA, INC. (OWNER) AND CONTAINS OWNER'S PROPRIETARY INFORMATION. ANY PERSON, CORPORATION OR OTHER FIRM RECEIVING IT IS DEEMED, BY RECEIVING IT, TO AGREE THAT IT, AND/OR ANY PART OF IT, SHALL NOT BE DISCLOSED TO ANY PERSON, CORPORATION OR OTHER ENTITY, DUPLICATED, AND/OR USED, EXCEPT AS EXPRESSLY APPROVED IN WRITING IN ADVANCE BY OWNER. THIS DOCUMENT SHALL BE RETURNED TO OWNER UPON REQUEST. IT MAY BE SUBJECT TO CERTAIN RESTRICTIONS UNDER APPLICABLE EXPORT CONTROL LAWS AND REGULATIONS.</small>				DATE	PROCESS/FINISH
				REFERENCE	DRAWING NUMBER OL56100022-001
				THIRD ANGLE PROJECTION	SIZE C
					SHEET 1 OF 1

IF MOTOR HAS 6 LEADS

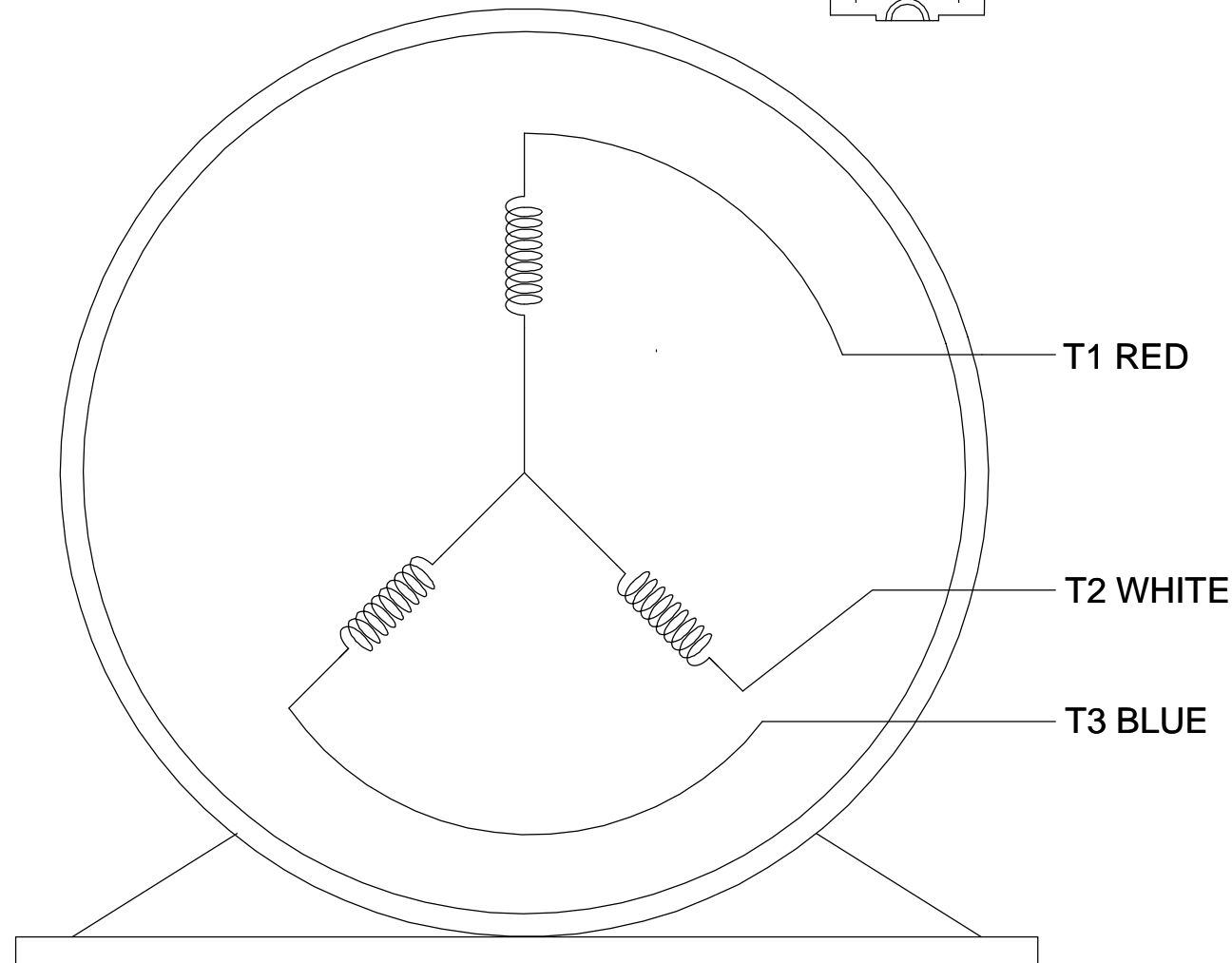
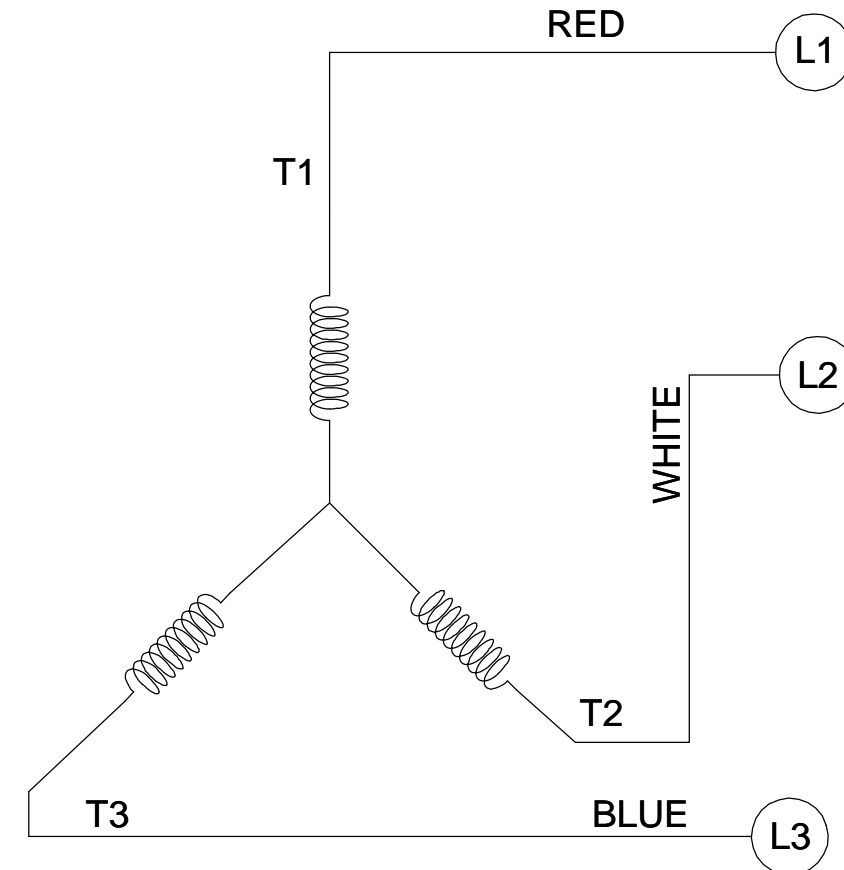


A- 9806 DECAL

TERMINAL BLOCK WHEN SPECIFIED



CCW HIGH VOLTAGE



VIEW OF TERMINAL END

NOTES:

1. TO REVERSE ROTATION, INTERCHANGE ANY TWO LINE CONNECTIONS TO L1, L2, OR L3.
2. CONNECTION DIAGRAM-NAMEPLATE: DD10040-001.

DRAWING REVISION A	REVISION BY G. RODRIGUEZ	DATE 03-20-2018
ECO ECO-0142578	APPROVED BY J. A. MORENO	DATE 03-20-2018
ECO DESCRIPTION NEW RELEASE		
<small>COPYRIGHT REGAL BELOIT AMERICA, INC. ALL RIGHTS RESERVED. PROPRIETARY AND CONFIDENTIAL INFORMATION - THIS DOCUMENT IS THE PROPERTY OF REGAL BELOIT AMERICA, INC. ("OWNER") AND CONTAINS OWNER'S PROPRIETARY INFORMATION. ANY PERSON, CORPORATION OR OTHER FIRM RECEIVING IT IS DEEMED, BY RECEIVING IT, TO AGREE THAT IT, AND/OR ANY PART OF IT, SHALL NOT BE DISCLOSED TO ANY PERSON, CORPORATION OR OTHER ENTITY, DUPLICATED, AND/OR USED, EXCEPT AS EXPRESSLY APPROVED IN WRITING IN ADVANCE BY OWNER. THIS DOCUMENT SHALL BE RETURNED TO OWNER UPON REQUEST. IT MAY BE SUBJECT TO CERTAIN RESTRICTIONS UNDER APPLICABLE EXPORT CONTROL LAWS AND REGULATIONS.</small>		

TOLERANCES UNLESS OTHERWISE SPECIFIED:			
DEC.	INCH	mm	ANGLE
.X	±0.1	[±2.5]	±0.5°
.XX	±0.01	[±0.25]	
.XXX	±0.005	[±0.127]	
.XXXX	±0.0005	[±0.0127]	
REMOVE BURRS & BREAK SHARP EDGES: .003/.015 [.076/.381] CORNER FILLETS: .02 [.51] MACHINED SURFACES: 125 INCH/mm 3.2			
mm SHOWN IN [BRACKETS]			

DRAWN BY G. RODRIGUEZ
DATE 03-20-2018
APPROVED BY J. A. MORENO
DATE 03-20-2018
REFERENCE SKT52A105383CA
THIRD ANGLE PROJECTION

REGAL ™ Regal Beloit America, Inc.	
DESCRIPTION CONN DIAGRAM-EXTERNAL	
MATERIAL	PROCESS/FINISH
SIZE B	DRAWING NUMBER CDTS112
SHEET 1 OF 1	

Data Sheet

Date: 1/2/2019
 Customer: _____
 Attention: _____
 Submitted by: FAREEDA DUDEKULA



56T17F15645

Submittal

Data @ 575 V

Motor Load Data

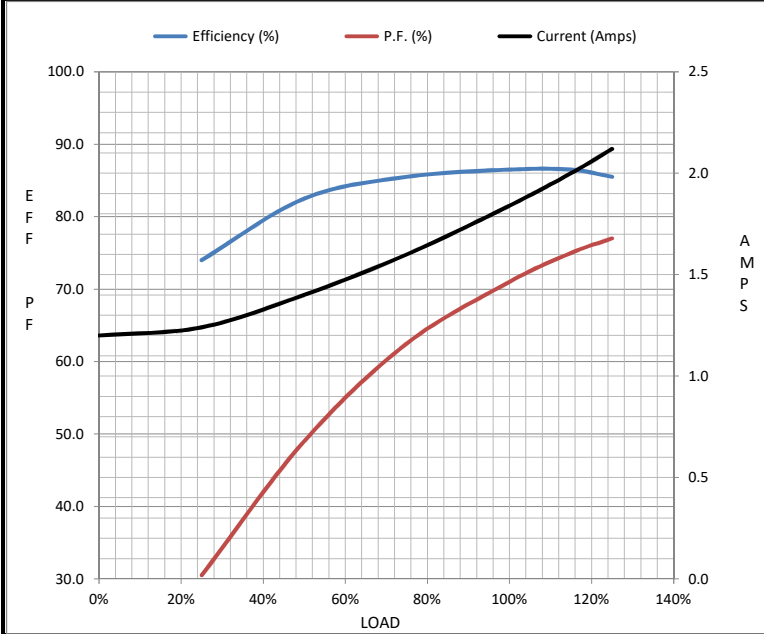
Load	0%	25%	50%	75%	100%	115%	125%	LR
Current (Amps)	1.20	1.24	1.40	1.60	1.84	2.00	2.12	19.2
Torque (ft-lb)	0.00	1.10	2.20	3.5	4.5	5.2	5.7	21.2
RPM	1800	1790	1780	1765	1755	1,750	1745	0
Efficiency (%)		74.0	82.5	85.5	86.5	86.5	85.5	
P.F. (%)	7.5	30.5	49.0	62.5	71.0	75.0	77.0	69.5

Motor Speed Data

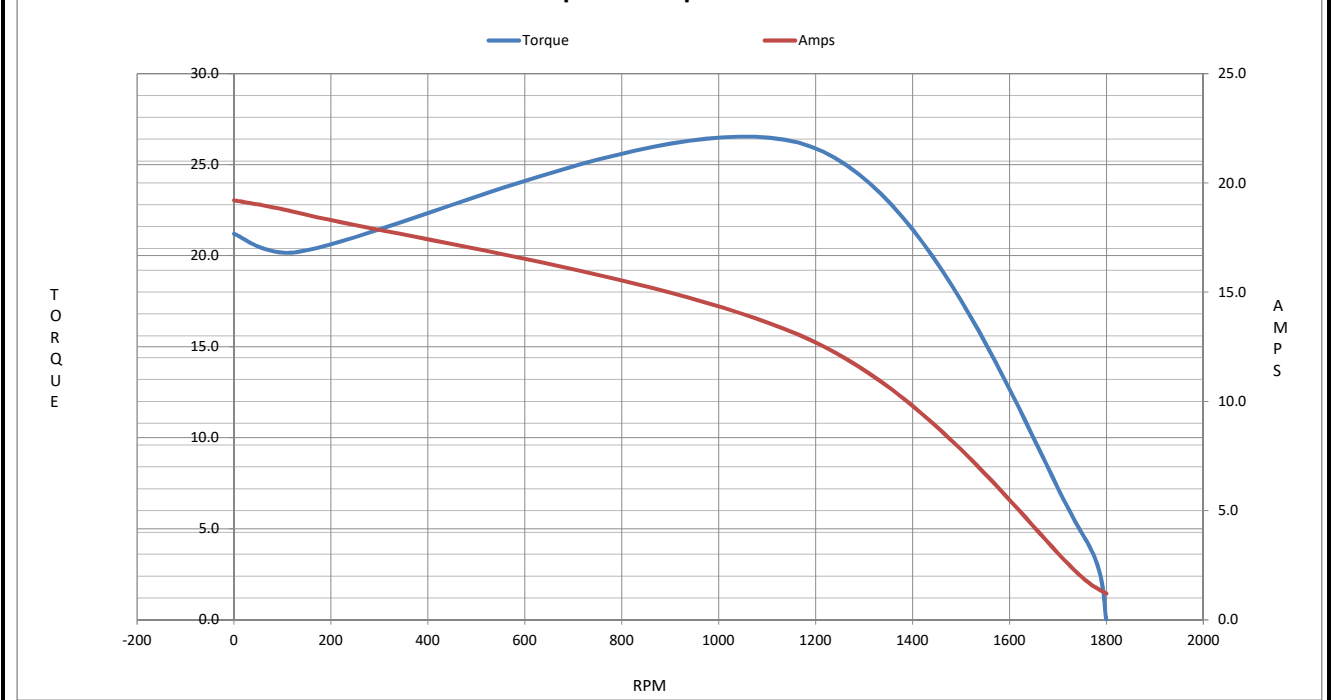
	LR	Pull-Up	BD	Rated	Idle
Speed (RPM)	0	130	1190	1755	1800
Current (Amps)	19.2	18.6	12.8	1.84	1.20
Torque (ft-lb)	21.2	20.2	26.0	4.5	0.00

Information Block

HP	1.5			
Sync. RPM	1800			
Frame	56			
Enclosure	TEFC			
Construction	TS			
Voltage	575 V			
Frequency	60 Hz			
Design	B			
LR Code letter	P			
Service Factor	1.15			
Temp Rise @ FL	35 °C			
Duty	CONT			
Ambient	40 °C			
Elevation	3300 feet			
Rotor/Shaft wk ²	0.14 Lb-Ft ²			
Ref Wdg	ZT4256 FR			
Sound Pressure @ 1M	62 dBA			
VFD Rating	NONE			
Outline Dwg	OL56100022			
Conn. Diag	CDTS112			
Additional Specifications:				
0				
0				
EQUIV CKT (OHMS / PHASE)				
R1	R2	X1	X2	Xm
7.5600	5.9060	11.1330	11.1920	296.2580



Speed - Torque Curve



EC Declaration of Conformity

The undersigned representing
the manufacturer:

Regal Beloit America
100 East Randolph St.
Wausau, WI 54401

and the authorized representative
established within the Community:

Marathon Electric UK
6F Thistleton Road Ind. Estate
Market Overton
Oakham, Rutland LE15 7PP UK

are committed to providing customers with products that comply with applicable regulations and international protocols to which they are subject, including the requirements of the European Parliament Directive on the Harmonization of the laws relating to electrical equipment designed for use within certain voltage limits (2014/35/EU).

Regal Beloit America declares that the following product(s), to which this declaration relates, are in conformity with the relevant sections of the EC standards listed below.

This statement supersedes any statements previously issued pertaining to the product(s) listed below and is subject to change without notice.

Model No : 056T17F15645

(Model No. may contain prefix and/or suffix characters)

Catalog No : K722A

Rework No : N/A

Directives :

Low Voltage Directive 2014/35/EU

Harmonized Standards Used :

EN 60034-1: 2010 (IEC 60034-1: 2010)

EN 60034-5: 2001/A1:2007 (IEC 60034-5: 2000/A1:2006)

Authorized Representative:



Michael A. Logsdon
Vice President, Technology

Authorized Representative in the Community:



Julian Clark
Marketing Engineer

Created on 09/01/2022

CE 22