

BALDOR® • RELIANCE 

Product Information Packet

KEM30003

.25HP,1725RPM,3PH,60HZ,56C,3413M,OPEN,F1

Part Detail							
Revision:	D	Status:	PRD/A	Change #:		Proprietary:	No
Type:	AC	Elec. Spec:	34WGR137	CD Diagram:	CD0005	Mfg Plant:	
Mech. Spec:	34-274	Layout:	34LY0274	Poles:	04	Created Date:	10-08-2014
Base:	N	Eff. Date:	07-24-2018	Leads:	9#18		

Specs			
Catalog Number:	KEM30003	Inverter Code:	Not Inverter
Enclosure:	OPEN	KVA Code:	M
Frame:	56C	Lifting Lugs:	No Lifting Lugs
Frame Material:	Steel	Locked Bearing Indicator:	Locked Bearing
Output @ Frequency:	.250 HP @ 60 HZ	Motor Lead Quantity/Wire Size:	9 @ 18 AWG
Synchronous Speed @ Frequency:	1800 RPM @ 60 HZ	Motor Lead Exit:	Ko Box
Voltage @ Frequency:	230.0 V @ 60 HZ	Motor Lead Termination:	Flying Leads
	460.0 V @ 60 HZ	Motor Type:	3413M
XP Class and Group:	None	Mounting Arrangement:	F1
XP Division:	Not Applicable	Power Factor:	62
Agency Approvals:	C UR US ENERGY	Product Family:	General Purpose
Auxillary Box:	No Auxillary Box	Pulley End Bearing Type:	Ball
Auxillary Box Lead Termination:	None	Pulley Face Code:	C-Face
Base Indicator:	No Mounting	Pulley Shaft Indicator:	Standard
Bearing Grease Type:	Polyrex EM (-20F +300F)	Rodent Screen:	None
Blower:	None	RoHS Status:	ROHS COMPLIANT
Current @ Voltage:	.500 A @ 460.0 V	Shaft Extension Location:	Pulley End
	1.000 A @ 230.0 V	Shaft Ground Indicator:	No Shaft Grounding

	1.300 A @ 208.0 V	Shaft Rotation:	Reversible
Design Code:	B	Shaft Slinger Indicator:	No Slinger
Drip Cover:	Drip Cover	Speed Code:	Single Speed
Duty Rating:	CONT	Motor Standards:	NEMA
Electrically Isolated Bearing:	Not Electrically Isolated	Starting Method:	Direct on line
Feedback Device:	NO FEEDBACK	Thermal Device - Bearing:	None
Front Face Code:	Drip Cover Mounting	Thermal Device - Winding:	None
Front Shaft Indicator:	None	Vibration Sensor Indicator:	No Vibration Sensor
Heater Indicator:	No Heater	Winding Thermal 1:	None
Insulation Class:	B	Winding Thermal 2:	None

Nameplate NP3155L										
CAT.NO.	KEM30003									
SPEC.	34-0274R137G1									
HP	.25									
VOLTS	230/460									
AMP	1/5									
RPM	1725									
FRAME	56C					HZ	60		PH	3
SER.F.	1.35			CODE	M		DES	B	CL	B
F.L. AVG. EFF.	69.5			PF	62					
RATING	40C AMB-CONT									
CC							USABLE AT 208V	1.3		
DE	6203			ODE	6203					
ENCL	OPEN			SN						
	SFA 1.2/6									

Parts List		
Part Number	Description	Quantity
SA288164	SA 34-0274R137G1	1.000 EA
RA274362	RA 34-0274R137G1	1.000 EA
NS2512A01	INSULATOR, CONDUIT BOX X	1.000 EA
34CB3002A	CB CAST W/.88 DIA HOLE	1.000 EA
51XB1016A07	10-16 X 7/16 HXWSSLD SERTYB	2.000 EA
11XW1032G06	10-32 X .38, TAPTITE II, HEX WSHR SLTD U	1.000 EA
34EP3200A03SP	FR ENDPLATE, MACH	1.000 EA
HW5100A03	WAVY WASHER (W1543-017)	1.000 EA
34EP3400A05	PU ENDPLATE, MACH	1.000 EA
34AD2000	BAFFLE PLATE, STAMPED	1.000 EA
60XW0632A06	6-32 X 3/8 TORX HEAD SCREW TAPTITE II	4.000 EA
51XN1032A20	10-32 X 1 1/4 HX WS SL SR	2.000 EA
34FH4000A11	DRIP COVER, STAMPED,PRIMER	1.000 EA
51XW1032A06	10-32 X .38, TAPTITE II, HEX WSHR SLTD S	3.000 EA
34CB4517	CB LID 4 MTG HOLES .22 DIA STAMPED, FOR	1.000 EA
51XW0832A07	8-32 X .44, TAPTITE II, HEX WSHR SLTD SE	4.000 EA
HW2501D13	KEY, 3/16 SQ X 1.375	1.000 EA
HA7000A04	KEY RETAINER 0.625 DIA SHAFTS	1.000 EA
85XU0407S04	4X1/4 U DRIVE PIN STAINLESS	2.000 EA
HA3100A12	THRUBOLT 10-32 X 7.375	4.000 EA
MG1000Y03	MUNSELL 2.53Y 6.70/ 4.60, GLOSS 20,	0.014 GA
MN416A01	TAG-INSTAL-MAINT no wire (2100/bx) 4/22	1.000 EA
LB1119N	WARNING LABEL	1.000 EA
LC0005	CONN.DIA.,TY M,9-LD,DUAL VOLT,REVERSING	1.000 EA

Parts List (continued)		
Part Number	Description	Quantity
NP3155L	ALUM SUPER-E UL CSA CC "SEMS"	1.000 EA
36PA1000	PKG GRP, PRINT PK1016A06	1.000 EA
PK3083	STYROFOAM PACKING CRADLE	1.000 EA
PK3088	MICROFOAM, 8"X"8 PERF. SHEETS	1.000 EA

AC Induction Motor Performance Data

Record # 47473

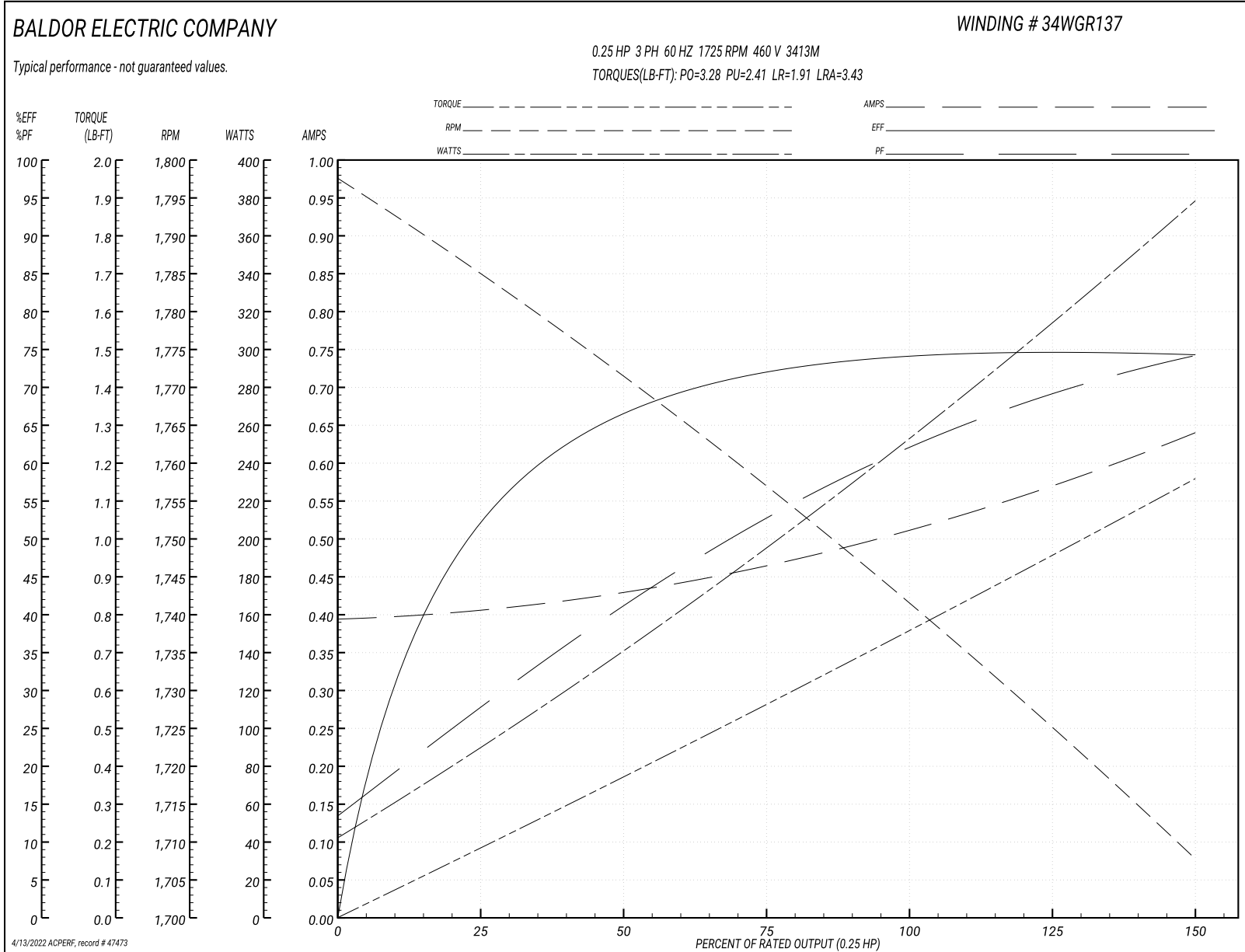
Typical performance - not guaranteed values

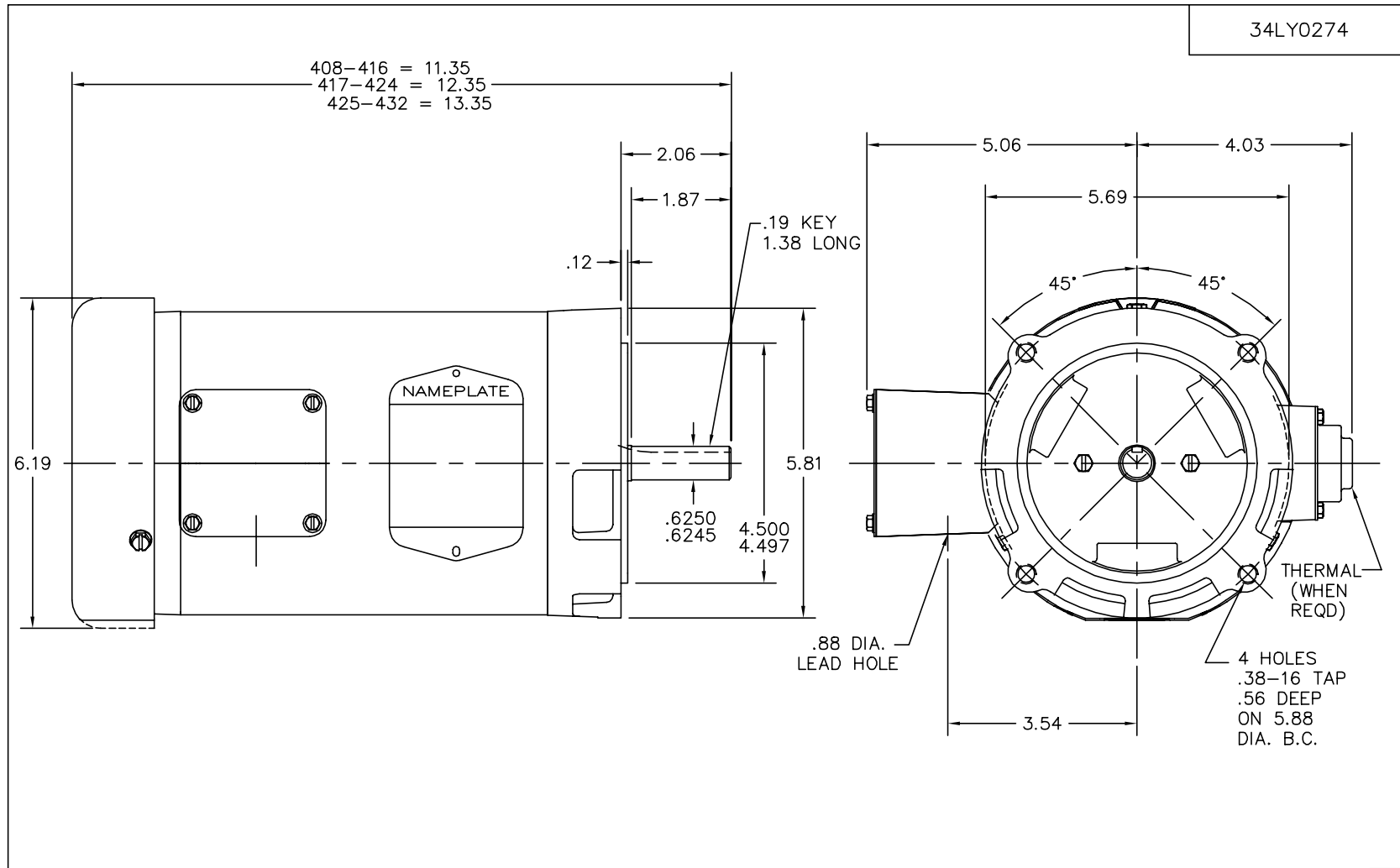
Winding: 34WGR137-R002		Type: 3413M		Enclosure: OPEN	
Nameplate Data			460 V, 60 Hz: High Voltage Connection		
Rated Output (HP)	.25	Full Load Torque	0.76 LB-FT		
Volts	230/460	Start Configuration	direct on line		
Full Load Amps	1/.5	Breakdown Torque	3.28 LB-FT		
R.P.M.	1725	Pull-up Torque	2.41 LB-FT		
Hz	60 Phase	3	Locked-rotor Torque	1.91 LB-FT	
NEMA Design Code	B KVA Code	M	Starting Current	3.43 A	
Service Factor (S.F.)	1.35	No-load Current	0.395 A		
NEMA Nom. Eff.	69.5	Power Factor	62	Line-line Res. @ 25°C	60.8 Ω
Rating - Duty	40C	AMB-CONT	Temp. Rise @ Rated Load	16°C	
S.F. Amps	1.2/.6		Temp. Rise @ S.F. Load	20°C	
			Locked-rotor Power Factor	62.5478	
			Rotor inertia	0.031 lb-ft ²	

Load Characteristics 460 V, 60 Hz, 0.25 HP

% of Rated Load	25	50	75	100	125	150	S.F.
Power Factor	28	41	53	62	69	74	71
Efficiency	52.2	65.8	72.5	74	74.8	74.2	74.6
Speed	1783	1771	1757	1742	1726	1707	1718
Line amperes	0.405	0.428	0.467	0.514	0.568	0.64	0.597

Performance Graph at 460V, 60Hz, 0.25HP Typical performance - Not guaranteed values





34LY0274

CUSTOMER IS RESPONSIBLE FOR DETERMINING THAT MOTOR PERFORMANCE IS SUITABLE IN THE APPLICATION.

REV. DESC: CORRECTED LAYERING, NO DIMENSIONAL CHANGES.			
REV. LTR: F	BY: DMB	REVISED: 15:13:20 05/20/2004	TDR: 332801
34LY0274		FILE: AAA00026287	REF: 34LY0274
		MTL: -	

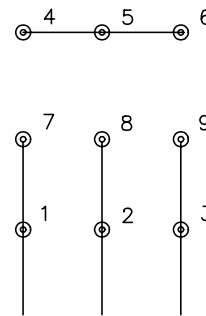
BALDOR ELECTRIC Co.
 VERT MODEL 34M NEMA 56C OPEN MTR W/DRIP COVER

34LY0274

CD0005

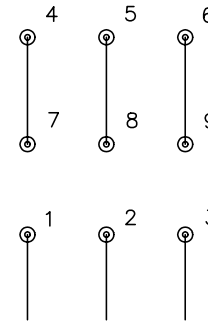


LOW VOLTAGE
(2Y)



LINE

HIGH VOLTAGE
(1Y)



LINE

NOTES:

1. INTERCHANGE ANY TWO LINE LEADS TO REVERSE ROTATION.
2. OPTIONAL THERMOSTATS ARE PROVIDED WHEN SPECIFIED.
3. ACTUAL NUMBER OF INTERNAL PARALLEL CIRCUITS MAY BE A MULTIPLE OF THOSE SHOWN ABOVE.
4. LEAD COLORS ARE OPTIONAL. LEADS MUST ALWAYS BE NUMBERED AS SHOWN.

REV. DESC: REVISE TO SHOW OPTIONAL COLORS

REV. LTR: E BY: JLP

REVISED: 01/19/99 10:15

TDR: 0171435

900003

FILE: AAA00005140

MDL: -

MTL: -

BALDOR ELECTRIC Co.

3PH, DV, 9 LEADS

CD0005