

**BALDOR® • RELIANCE** 

**Product Information Packet**

**KNM3534**

**.33HP,1725RPM,3PH,60HZ,56C,3416M,TENV,F1**

| Part Detail |        |             |            |             |        |               |    |
|-------------|--------|-------------|------------|-------------|--------|---------------|----|
| Revision:   | V      | Status:     | PRD/A      | Change #:   |        | Proprietary:  | No |
| Type:       | AC     | Elec. Spec: | 34WG0116   | CD Diagram: | CD0005 | Mfg Plant:    |    |
| Mech. Spec: | 34K013 | Layout:     | 34LYK013   | Poles:      | 04     | Created Date: |    |
| Base:       | N      | Eff. Date:  | 10-12-2019 | Leads:      | 9#18   |               |    |

| Specs                           |                         |                                |                    |
|---------------------------------|-------------------------|--------------------------------|--------------------|
| Catalog Number:                 | KNM3534                 | Heater Indicator:              | No Heater          |
| Enclosure:                      | TENV                    | Insulation Class:              | B                  |
| Frame:                          | 56C                     | Inverter Code:                 | Not Inverter       |
| Frame Material:                 | Steel                   | KVA Code:                      | K                  |
| Output @ Frequency:             | .330 HP @ 60 HZ         | Lifting Lugs:                  | No Lifting Lugs    |
| Synchronous Speed @ Frequency:  | 1800 RPM @ 60 HZ        | Locked Bearing Indicator:      | Locked Bearing     |
| Voltage @ Frequency:            | 230.0 V @ 60 HZ         | Motor Lead Quantity/Wire Size: | 9 @ 18 AWG         |
|                                 | 208.0 V @ 60 HZ         | Motor Lead Termination:        | Flying Leads       |
|                                 | 460.0 V @ 60 HZ         | Motor Type:                    | 3416M              |
| XP Class and Group:             | None                    | Mounting Arrangement:          | F1                 |
| XP Division:                    | Not Applicable          | Power Factor:                  | 64                 |
| Agency Approvals:               | CSA                     | Product Family:                | General Purpose    |
|                                 | UR                      | Pulley End Bearing Type:       | Ball               |
| Auxillary Box:                  | No Auxillary Box        | Pulley Face Code:              | C-Face             |
| Auxillary Box Lead Termination: | None                    | Pulley Shaft Indicator:        | Standard           |
| Base Indicator:                 | No Mounting             | Rodent Screen:                 | None               |
| Bearing Grease Type:            | Polyrex EM (-20F +300F) | RoHS Status:                   | ROHS COMPLIANT     |
| Blower:                         | None                    | Shaft Ground Indicator:        | No Shaft Grounding |

|                                       |                           |                                    |                     |
|---------------------------------------|---------------------------|------------------------------------|---------------------|
| <b>Current @ Voltage:</b>             | 1.400 A @ 230.0 V         | <b>Shaft Rotation:</b>             | Reversible          |
|                                       | 1.500 A @ 208.0 V         | <b>Shaft Slinger Indicator:</b>    | No Slinger          |
|                                       | .700 A @ 460.0 V          | <b>Speed Code:</b>                 | Single Speed        |
| <b>Design Code:</b>                   | B                         | <b>Motor Standards:</b>            | NEMA                |
| <b>Drip Cover:</b>                    | No Drip Cover             | <b>Starting Method:</b>            | Direct on line      |
| <b>Duty Rating:</b>                   | CONT                      | <b>Thermal Device - Bearing:</b>   | None                |
| <b>Electrically Isolated Bearing:</b> | Not Electrically Isolated | <b>Thermal Device - Winding:</b>   | None                |
| <b>Feedback Device:</b>               | NO FEEDBACK               | <b>Vibration Sensor Indicator:</b> | No Vibration Sensor |
| <b>Front Shaft Indicator:</b>         | None                      | <b>Winding Thermal 1:</b>          | None                |
|                                       |                           | <b>Winding Thermal 2:</b>          | None                |

| Nameplate NP1256L |              |  |      |    |     |      |  |                |     |   |
|-------------------|--------------|--|------|----|-----|------|--|----------------|-----|---|
| CAT.NO.           | KNM3534      |  |      |    |     |      |  |                |     |   |
| SPEC.             | 34K13-116    |  |      |    |     |      |  |                |     |   |
| HP                | .33          |  |      |    |     |      |  |                |     |   |
| VOLTS             | 208-230/460  |  |      |    |     |      |  |                |     |   |
| AMP               | 1.5-1.4/.7   |  |      |    |     |      |  |                |     |   |
| RPM               | 1725         |  |      |    |     |      |  |                |     |   |
| FRAME             | 56C          |  |      |    | HZ  | 60   |  |                | PH  | 3 |
| SER.F.            | 1.00         |  | CODE | K  | DES | B    |  | CLASS          | B   |   |
| NEMA-NOM-EFF      | 70           |  | PF   | 64 |     |      |  |                |     |   |
| RATING            | 40C AMB-CONT |  |      |    |     |      |  |                |     |   |
| CC                |              |  |      |    |     |      |  | USABLE AT 208V | 1.5 |   |
| DE                | 6203         |  |      |    | ODE | 6203 |  |                |     |   |
| ENCL              | TENV         |  | SN   |    |     |      |  |                |     |   |

| Parts List    |  |          |
|---------------|--|----------|
| Part Number   | Description                              | Quantity |
| SA008075      | SA 34K13-116                             | 1.000 EA |
| RA004522      | RA 34K13-116                             | 1.000 EA |
| NS2512A01     | INSULATOR, CONDUIT BOX X                 | 1.000 EA |
| 34CB3002A     | CB CAST W/.88 DIA HOLE                   | 1.000 EA |
| 34GS1029A01   | GASKET, CONDUIT BOX                      | 1.000 EA |
| 51XB1016A07   | 10-16 X 7/16 HXWSSLD SERTYB              | 2.000 EA |
| 11XW1032G06   | 10-32 X .38, TAPTITE II, HEX WSHR SLTD U | 1.000 EA |
| 34EP3100A03SP | FR ENDPLATE, MACH                        | 1.000 EA |
| HW5100A03     | WAVY WASHER (W1543-017)                  | 1.000 EA |
| 34EP3300A24SP | PU ENDPLATE, MACH                        | 1.000 EA |
| 51XN1032A20   | 10-32 X 1 1/4 HX WS SL SR                | 2.000 EA |
| 34CB4517      | CB LID 4 MTG HOLES .22 DIA STAMPED, FOR  | 1.000 EA |
| 34GS1031A01   | GASKET, FLAT CONDUIT BOX LID (LEXIDE)    | 1.000 EA |
| 51XW0832A07   | 8-32 X .44, TAPTITE II, HEX WSHR SLTD SE | 4.000 EA |
| HW2501D13     | KEY, 3/16 SQ X 1.375                     | 1.000 EA |
| HA7000A04     | KEY RETAINER 0.625 DIA SHAFTS            | 1.000 EA |
| MG1000G27     | MED CHARCOAL METALLIC GREY 400-0096      | 0.014 GA |
| 85XU0407S04   | 4X1/4 U DRIVE PIN STAINLESS              | 2.000 EA |
| HA3100A12     | THRUBOLT 10-32 X 7.375                   | 4.000 EA |
| LC0005E01     | CONN.DIA./WARNING LABEL (LC0005/LB1119N) | 1.000 EA |
| NP1256L       | ALUM UL CSA CC INDUSTRIAL MOTOR A60      | 1.000 EA |
| 35PA1066      | PKG GRP, PRINT PK1001A01                 | 1.000 EA |
| PK3083        | STYROFOAM PACKING CRADLE                 | 1.000 EA |
| PK3088        | MICROFOAM, 8"X"8 PERF. SHEETS            | 1.000 EA |

| <b>Parts List (continued)</b> |   |                 |
|-------------------------------|---|-----------------|
| <b>Part Number</b>            | <b>Description</b>                      | <b>Quantity</b> |
| MN416A01                      | TAG-INSTAL-MAINT no wire (2100/bx) 4/22 | 1.000 EA        |

**AC Induction Motor Performance Data**

Record # 6545

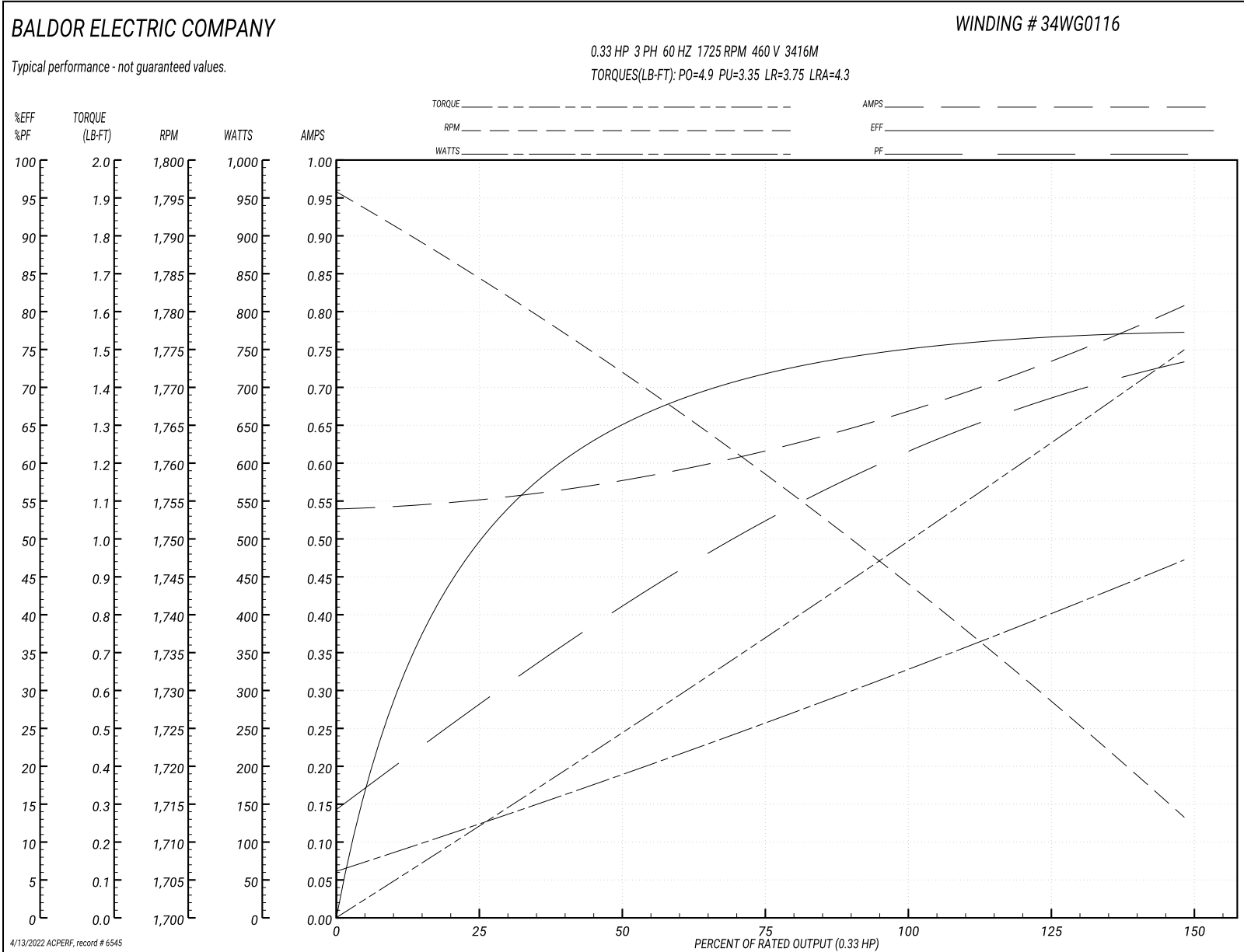
Typical performance - not guaranteed values

| <b>Winding:</b> 34WG0116-R001 |                        | <b>Type:</b> 3416M |  | <b>Enclosure:</b> TENV |  |
|-------------------------------|------------------------|--------------------|--|------------------------|--|
| <b>Nameplate Data</b>         |                        |                    | <b>460 V, 60 Hz:<br/>High Voltage Connection</b> |                        |  |
| <b>Rated Output (HP)</b>      | .33                    |                    | <b>Full Load Torque</b>                          | 1 LB-FT                |  |
| <b>Volts</b>                  | 208-230/460            |                    | <b>Start Configuration</b>                       | direct on line         |  |
| <b>Full Load Amps</b>         | 1.5-1.4/.7             |                    | <b>Breakdown Torque</b>                          | 4.9 LB-FT              |  |
| <b>R.P.M.</b>                 | 1725                   |                    | <b>Pull-up Torque</b>                            | 3.35 LB-FT             |  |
| <b>Hz</b>                     | <b>60 Phase</b>        | 3                  | <b>Locked-rotor Torque</b>                       | 3.75 LB-FT             |  |
| <b>NEMA Design Code</b>       | <b>B KVA Code</b>      | K                  | <b>Starting Current</b>                          | 4.3 A                  |  |
| <b>Service Factor (S.F.)</b>  | 1                      |                    | <b>No-load Current</b>                           | 0.54 A                 |  |
| <b>NEMA Nom. Eff.</b>         | <b>70 Power Factor</b> | 64                 | <b>Line-line Res. @ 25°C</b>                     | 39.4 Ω                 |  |
| <b>Rating - Duty</b>          | 40C AMB-CONT           |                    | <b>Temp. Rise @ Rated Load</b>                   | 60°C                   |  |

**Load Characteristics 460 V, 60 Hz, 0.33 HP**

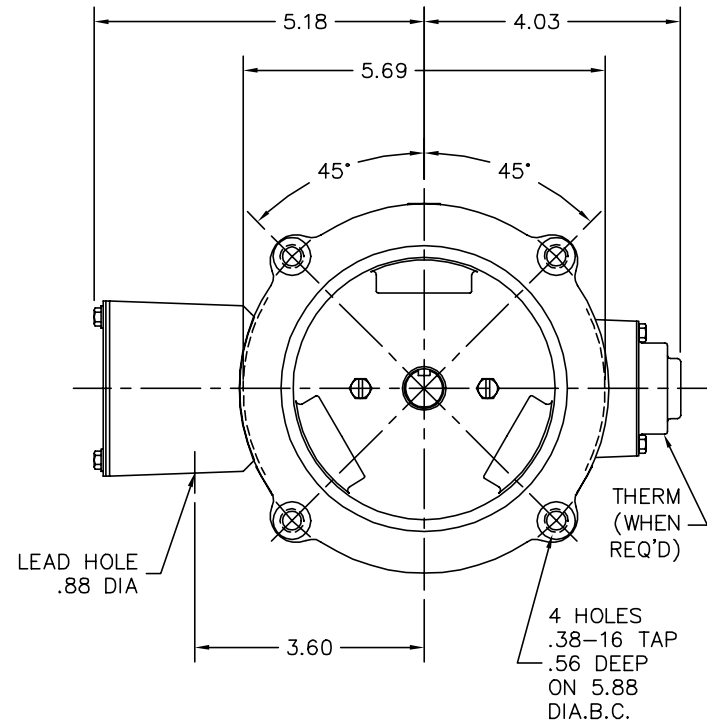
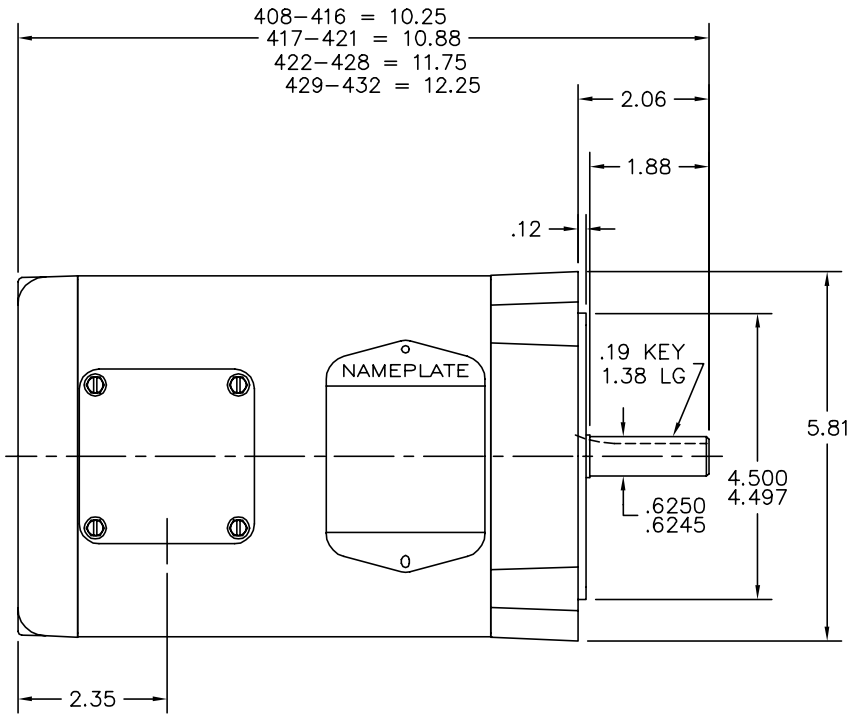
| <b>% of Rated Load</b> | <b>25</b> | <b>50</b> | <b>75</b> | <b>100</b> | <b>125</b> | <b>150</b> |
|------------------------|-----------|-----------|-----------|------------|------------|------------|
| <b>Power Factor</b>    | 28        | 41        | 52        | 61         | 68         | 73         |
| <b>Efficiency</b>      | 50        | 65        | 72        | 75.5       | 77         | 77         |
| <b>Speed</b>           | 1784      | 1771      | 1758      | 1744       | 1729       | 1713       |
| <b>Line amperes</b>    | 0.55      | 0.58      | 0.62      | 0.67       | 0.73       | 0.81       |

Performance Graph at 460V, 60Hz, 0.33HP Typical performance - Not guaranteed values





34LYK013



CUSTOMER IS RESPONSIBLE FOR DETERMINING THAT MOTOR PERFORMANCE IS SUITABLE IN THE APPLICATION.

|                               |        |                              |               |
|-------------------------------|--------|------------------------------|---------------|
| REV. DESC: UPDATE ACAD & KBOX |        |                              |               |
| REV. LTR: D                   | BY: RT | REVISED: 14:11:23 02/04/2005 | TDR: 355794   |
| 34LYK013                      |        | FILE: AAA00026147            | REF: 34LYK013 |
|                               |        | MTL: -                       |               |

**BALDOR ELECTRIC Co.**

STD VERT MODEL 34M NEMA 56C TENV

34LYK013

CD0005

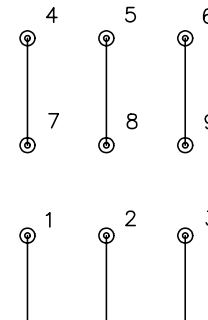


LOW VOLTAGE  
(2Y)



LINE

HIGH VOLTAGE  
(1Y)



LINE

NOTES:

1. INTERCHANGE ANY TWO LINE LEADS TO REVERSE ROTATION.
2. OPTIONAL THERMOSTATS ARE PROVIDED WHEN SPECIFIED.
3. ACTUAL NUMBER OF INTERNAL PARALLEL CIRCUITS MAY BE A MULTIPLE OF THOSE SHOWN ABOVE.
4. LEAD COLORS ARE OPTIONAL. LEADS MUST ALWAYS BE NUMBERED AS SHOWN.

|   |         |                         |              |
|---|---------|-------------------------|--------------|
| REV. DESC: REVISE TO SHOW OPTIONAL COLORS |         |                         |              |
| REV. LTR: E                               | BY: JLP | REVISED: 01/19/99 10:15 | TDR: 0171435 |
| 900000                                    |         | FILE: AAA00005140       | MDL: -       |
|   |         | MTL: -                  |              |

**BALDOR ELECTRIC Co.**

3PH, DV, 9 LEADS

CD0005