

PRODUCT INFORMATION PACKET

Model No: 449TTFS16102

Catalog No: L471A

General Purpose Motor, 250 HP, 3 Ph, 60 Hz, 460 V, 900 RPM, 449TZ Frame, TEFC



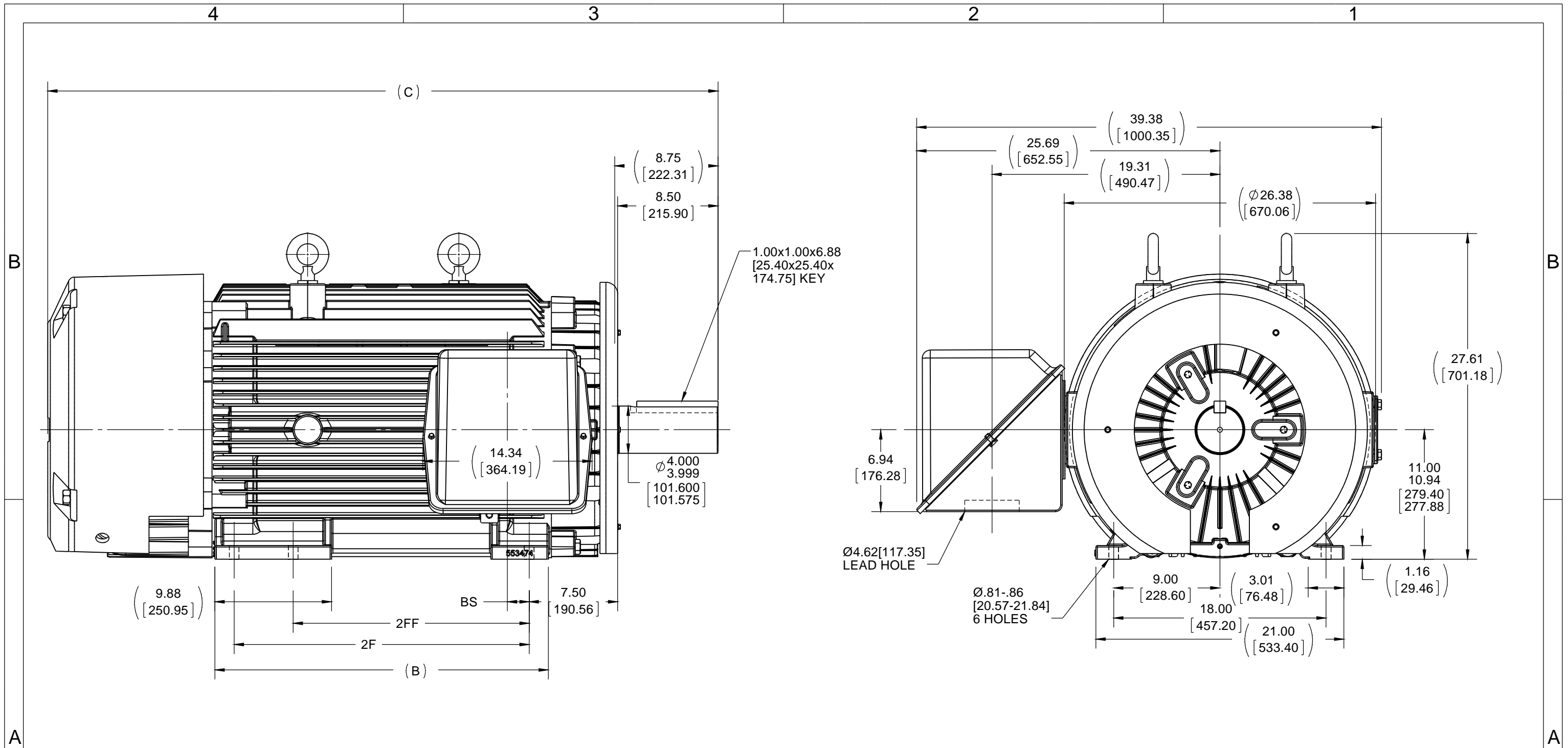
Regal and are trademarks of Regal Rexnord Corporation or one of its affiliated companies.
©2022 Regal Rexnord Corporation, All Rights Reserved. MC017097E

Nameplate Specifications

Output HP	250 Hp	Output KW	187.0 kW
Frequency	60 Hz	Voltage	460 V
Current	324.0 A	Speed	890 rpm
Service Factor	1	Phase	3
Efficiency	95 %	Power Factor	76
Duty	Continuous	Insulation Class	H
Design Code	B	KVA Code	G
Frame	449TZ	Enclosure	Totally Enclosed Fan Cooled
Thermal Protection	No Protection	Ambient Temperature	40 °C
Drive End Bearing Size	NU322	Opp Drive End Bearing Size	6318
UL	Recognized	CSA	Y
CE	Y	IP Code	43
Number of Speeds	1		

Technical Specifications

Electrical Type	Squirrel Cage Induction Run	Starting Method	Part Wdg Start & Wye Start Delta Run
Poles	8	Rotation	Reversible
Resistance Main	.0138 Ohms	Mounting	Rigid Base
Motor Orientation	Horizontal	Drive End Bearing	Roller
Opp Drive End Bearing	Ball	Frame Material	Cast Iron
Shaft Type	Single Special Extension	Overall Length	56.79 in
Frame Length	28.77 in	Shaft Diameter	4.000 in
Shaft Extension	8.75 in	Assembly/Box Mounting	F1/F2 CAPABLE
Outline Drawing	B-SS550789-2875	Connection Drawing	A-EE7300BH



NOTES:

1. CONDUIT BOX CAN BE ROTATED IN 90° STEPS
2. NAMEPLATES TO BE READ FROM CONDUIT BOX SIDE OF MOTOR

DASH	FRAME	B	C	2F	2FF	BS
2875	447TZ	28.25 [717.55]	56.79 [1442.47]	-----	20.00 [508.00]	1.84 [46.74]
2875	449TZ	28.25 [717.55]	56.79 [1442.47]	25.00 [635.00]	-----	1.84 [46.74]

DRAWING REVISION C	REVISION BY AJW	DATE 11-21-2014
ECO ECO-0065876	APPROVED BY TDB	DATE 11-21-2014
ECO DESCRIPTION UPDATED TO CURRENT STANDARDS		
<small>COPYRIGHT REGAL BELOIT AMERICA, INC. ALL RIGHTS RESERVED. PROPRIETARY AND CONFIDENTIAL INFORMATION - THIS DOCUMENT IS THE PROPERTY OF REGAL BELOIT AMERICA, INC. ("OWNER") AND CONTAINS OWNER'S PROPRIETARY INFORMATION. ANY PERSON, CORPORATION OR OTHER FIRM RECEIVING IT IS DEEMED, BY RECEIVING IT, TO AGREE THAT IT, AND/OR ANY PART OF IT, SHALL NOT BE DISCLOSED TO ANY PERSON, CORPORATION OR OTHER ENTITY, DUPLICATED, AND/OR USED, EXCEPT AS EXPRESSLY APPROVED IN WRITING IN ADVANCE BY OWNER. THIS DOCUMENT SHALL BE RETURNED TO OWNER UPON REQUEST. IT MAY BE SUBJECT TO CERTAIN RESTRICTIONS UNDER APPLICABLE EXPORT CONTROL LAWS AND REGULATIONS.</small>		

TOLERANCES UNLESS OTHERWISE SPECIFIED:			
DEC.	INCH	mm	ANGLE
.X	±0.1	[±2.5]	±0.5°
.XX	±0.01	[±0.25]	
.XXX	±0.005	[±0.127]	
.XXXX	±0.0005	[±0.0127]	
REMOVE BURRS & BREAK SHARP EDGES: .003/.015 [0.076/.381]			
CORNER FILLETS: .02 [0.51]			
MACHINED SURFACES: 125 INCH 3.2 mm			
mm SHOWN IN [BRACKETS]			

DRAWN BY KL
DATE 03-22-2005
APPROVED BY JES
DATE 03-23-2005
REFERENCE
THIRD ANGLE PROJECTION

Regal Beloit America, Inc.	
DESCRIPTION OUTLINE 447/9TZ FR.-TEFC-EXTENDED RATING.-SPL. EXT.	
MATERIAL	PROCESS/FINISH
SIZE B	DRAWING NUMBER SS550789
SHEET 1 OF 1	



VIEW OF TERMINAL END

				TOLERANCES UNLESS SPECIFIED		REGAL REGAL - BELOIT CORPORATION	DRAWN RJW 02-11-2005				
				DEC.	INCHES		CHK	ML	02-11-2005		
				.X	±.1		APPD	GK	02-11-2005		
				.XX	±.02	TITLE CONNECTION DIAGRAM		SCALE			
D	CHANGED TO REGAL TITLE BLOCK	ECO-0108299	WGJ 08/22/2016	EMH	.XXX ±.005	12 LEAD- SINGLE VOLTAGE		REF			
1	ADDED IEC TERMINAL MARKINGS	CN 41429	JJB 05/24/2007	ML	.XXXX ±.0005	MAT'L.		FMF			
NO.	REVISION	BY & DATE	CHK	ANG	±7'30"	FINISH		PREV			
THIS DRAWING IN DESIGN AND DETAIL IS OUR PROPERTY AND MUST NOT BE USED EXCEPT IN CONNECTION WITH OUR WORK ALL RIGHTS OF DESIGN AND INVENTION ARE RESERVED THIS IS AN ELECTRONICALLY GENERATED DOCUMENT - DO NOT SCALE THIS PRINT						RFP 02-11-2005	CAD FILE ee7300bh	SIZE A	DRAWING NO. EE7300BH	PAGE OF	REV. C
						DIST LB					



P.O. BOX 8003
WAUSAU, WI 54401-8003
PH. 715-675-3311

DATA VOLTS: 460

CERTIFICATION DATA SHEET

CUSTOMER: _____ CUSTOMER P.O. #: _____
 ORDER #: _____ REFERENCE MODEL #: 449TTFS16102
 CONN. DIAGRAM: A-EE7300BH CAT #: L471A
 OUTLINE: B-SS550789-2875 CUSTOMER PART #: _____
 WINDING: T449838 NONE 1 MOUNTING: F1/F2 CAPABLE
 SPEED: _____

TYPICAL MOTOR PERFORMANCE DATA

HP	KW	SYNC RPM	FL RPM	FRAME	ENCLOSURE	TYPE	KVA CODE	DESIGN
250	187	900	890	447/449TZ	TEFC	TFN	G	B

PH	HZ	VOLTS	AMPS	START TYPE	DUTY	INSL	S.F.	AMB	ELEV.
3	60/50	460#380	324&324	PWS & YDRUN	CONT	H	1.15	40	3300

F.L. EFF	95.0	3/4 LD EFF	95.0	1/2 LD EFF	95.0	GTD EFF	94.5	ELECT. TYPE	SQ CAGE IND RUN
F.L. PF	76.0	3/4 LD PF	72.5	1/2 LD PF	63.0				

F.L. TORQUE	LR AMPS @ 460 V	L.R. TORQUE	B.D. TORQUE	F.L. RISE (°C)
1,478 LB-FT	1,825	2,000 LB-FT 135%	3,000 LB-FT 203%	90

@ 3 FT.	POWER	ROTOR WK²	MAX. LOAD WK²	SAFE STALL TIME	STARTS/HOUR	MOTOR WGT
72 dBA	81 dBA	169 LB-FT²	0 LB-FT²	15 SEC.	0	3700 LB.

*** SUPPLEMENTAL INFORMATION ***

DE BRACKET TYPE	ODE BRACKET TYPE	MOUNT TYPE	MOTOR ORIENTATION	SEVERE DUTY	HAZARDOUS LOCATION	DRIP COVER	SCREENS	PAINT
STANDARD	STANDARD	RIGID	HORIZONTAL	NO	NONE	NO	NONE	BLUE (ENAMEL)

BEARINGS		GREASE	SHAFT TYPE	SPECIAL DE	SPECIAL ODE	SHAFT MATERIAL	FRAME MATERIAL
ROLLER	BALL	POLYREX EM	SGL SPL EXT	4.000 x 8.50 IN SEK	NONE	1045 HOT ROLLED (C-204)	CAST IRON
NU322	6318						

THERMOSTATS	PROTECTORS	WDG RTD's	BRG RTD's	THERMISTORS	CONTROL	SPACE HEATERS
NONE	NOT	NONE	NONE	NONE	FALSE	NA

R1 (ohms/ph)	R2 (ohms/ph)	X1 (ohms/ph)	X2 (ohms/ph)	Xm (ohms/ph)	VIBRATION (in/sec)	FLOAT
0.011	0.011	0.118	0.169	1.973	0.150	NONE

* N O T E S *	INVERTER TORQUE: NONE	
	INV. HP SPEED RANGE: NONE	
	ENCODER: NONE	
	NONE	
	NONE NONE PPR	

PREPARED BY: FAREEDA DUDEKULA	BRAKE: NONE
DATE: 9/10/2018	NONE NONE
	FT-LB: NA
	VOLTAGE: NONE HZ:
FORM: 3531 REV_4 2/27/06	UL: V-INS, CONST UL REC

Data Sheet

Date: 11/29/2018
 Customer: _____
 Attention: _____
 Submitted by: FAREEDA DUDEKULA



449TTFS16102

Submittal

Data @ 460 V

Motor Load Data

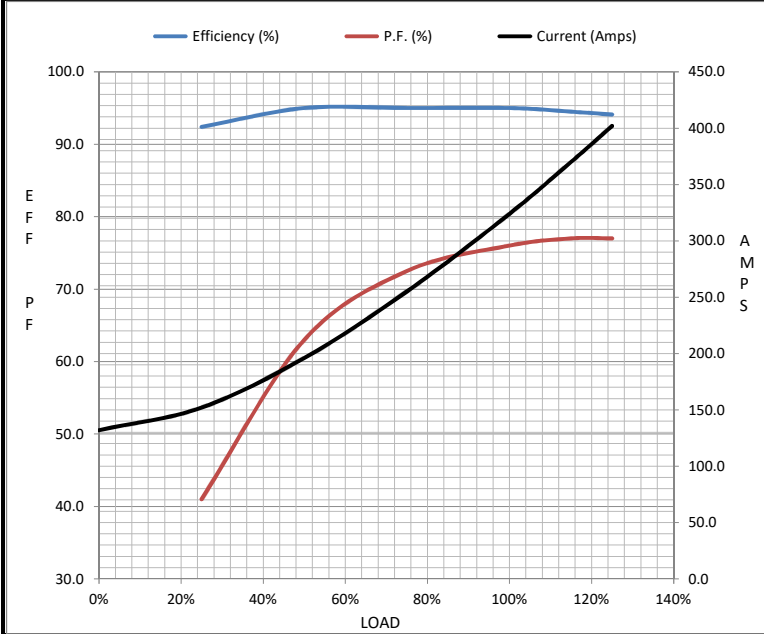
Load	0%	25%	50%	75%	100%	115%	125%	LR
Current (Amps)	132	152	196	255	324	370	402	1,825
Torque (ft-lb)	0.00	366	734	1,105	1,478	1,704	1,855	2,000
RPM	900	898	895	892	890	888	885	0
Efficiency (%)		92.4	95.0	95.0	95.0	94.5	94.1	
P.F. (%)	3.0	41.0	63.0	72.5	76.0	77.0	77.0	22.0

Motor Speed Data

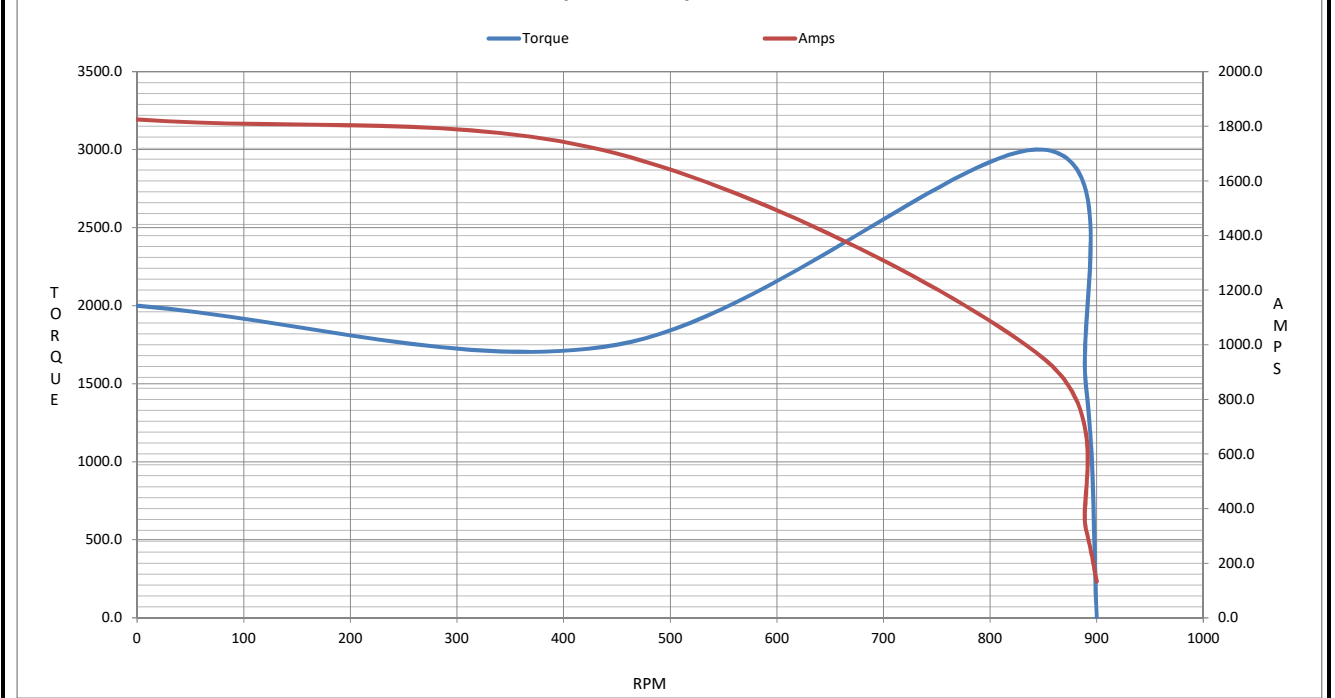
	LR	Pull-Up	BD	Rated	Idle
Speed (RPM)	0	450	850	890	900
Current (Amps)	1,825	1,700	950	324	132
Torque (ft-lb)	2,000	1,750	3,000	1,478	0.00

Information Block

HP	250.0			
Sync. RPM	900			
Frame	449			
Enclosure	TEFC			
Construction	TFS			
Voltage	460#380 V			
Frequency	60 Hz			
Design	B			
LR Code letter	G			
Service Factor	1.0			
Temp Rise @ FL	90 °C			
Duty	CONT			
Ambient	40 °C			
Elevation	1,000 feet			
Rotor/Shaft wk ²	169 Lb-Ft ²			
Ref Wdg	T449838 NONE			
Sound Pressure @ 1M	72 dBA			
VFD Rating	NONE			
Outline Dwg	B-SS550789-2875			
Conn. Diag	A-EE7300BH			
Additional Specifications:				
0				
0				
EQUIV CKT (OHMS / PHASE)				
R1	R2	X1	X2	Xm
0.0110	0.0110	0.1180	0.1690	1.9730



Speed - Torque Curve



EC Declaration of Conformity

The undersigned representing
the manufacturer:

Regal Beloit America
100 East Randolph St.
Wausau, WI 54401

and the authorized representative
established within the Community:

Marathon Electric UK
6F Thistleton Road Ind. Estate
Market Overton
Oakham, Rutland LE15 7PP UK

are committed to providing customers with products that comply with applicable regulations and international protocols to which they are subject, including the requirements of the European Parliament Directive on the Harmonization of the laws relating to electrical equipment designed for use within certain voltage limits (2014/35/EU).

Regal Beloit America declares that the following product(s), to which this declaration relates, are in conformity with the relevant sections of the EC standards listed below.

This statement supersedes any statements previously issued pertaining to the product(s) listed below and is subject to change without notice.

Model No : 449TTFS16102

(Model No. may contain prefix and/or suffix characters)

Catalog No : L471A

Rework No : N/A

Directives :

Low Voltage Directive 2014/35/EU

Harmonized Standards Used :

EN 60034-1: 2010 (IEC 60034-1: 2010)

EN 60034-5: 2001/A1:2007 (IEC 60034-5: 2000/A1:2006)

Authorized Representative:



Michael A. Logsdon
Vice President, Technology

Authorized Representative in the Community:



Julian Clark
Marketing Engineer

Created on 09/01/2022

CE 22